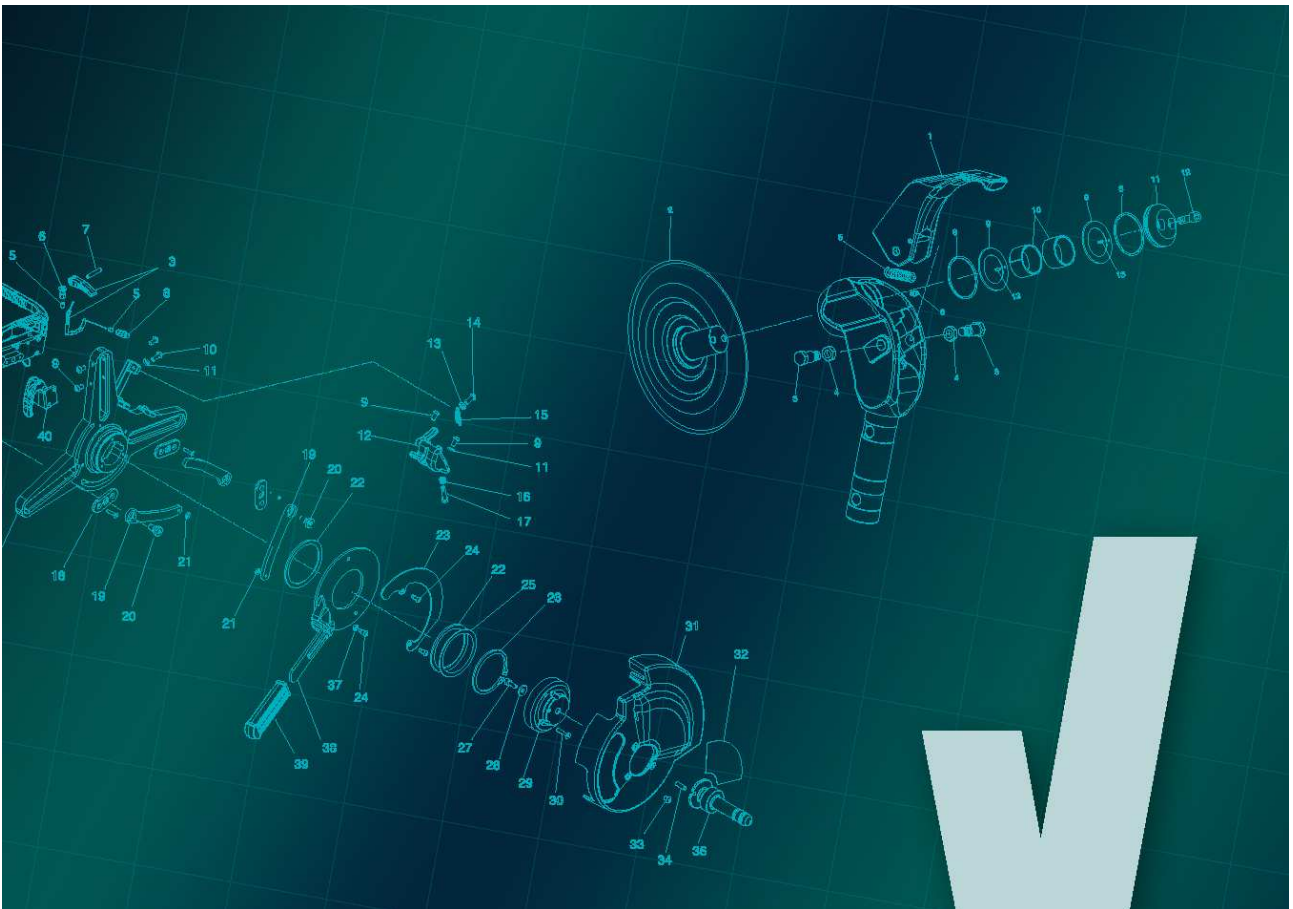


Catalogo ricambi

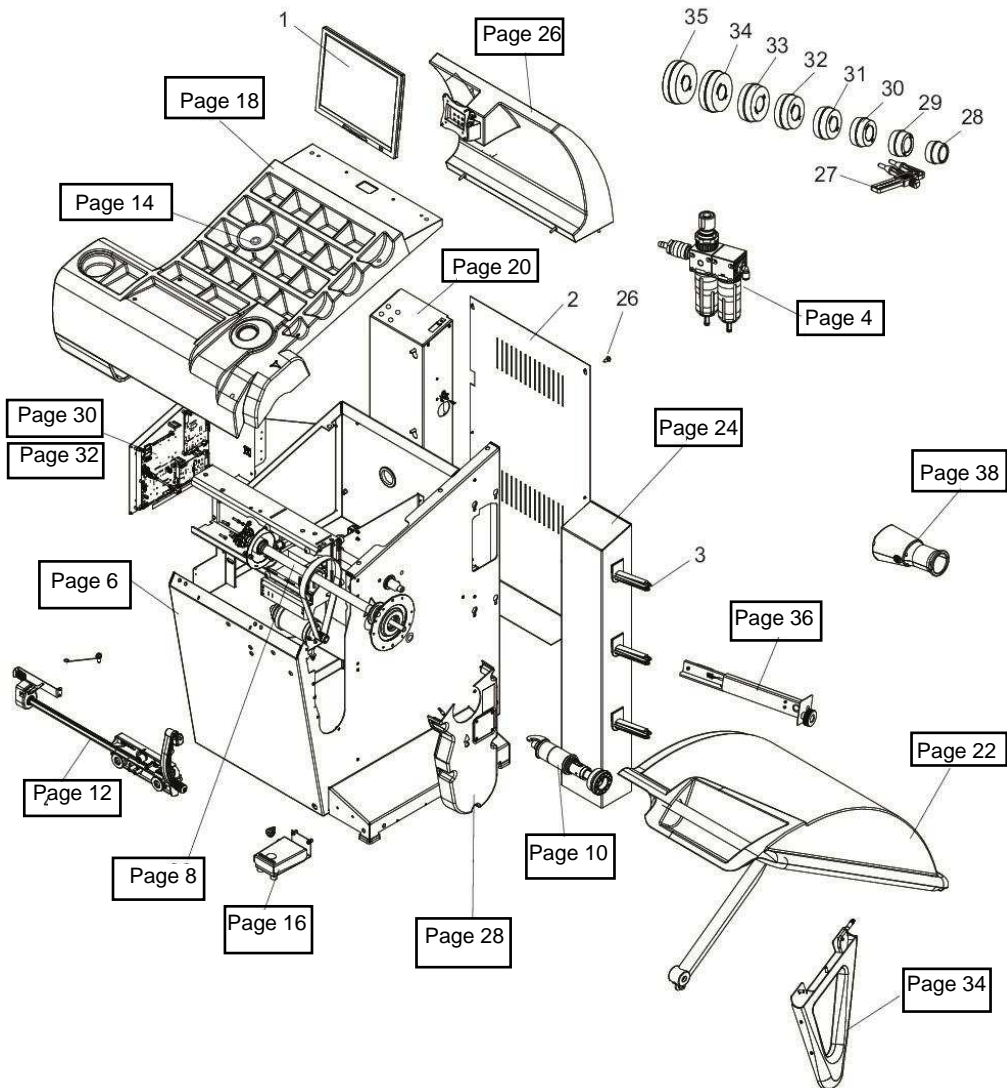
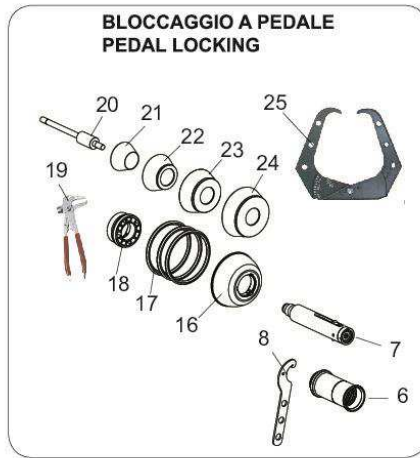
Spare Parts



EM9680

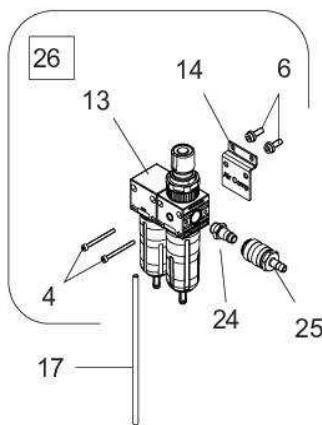
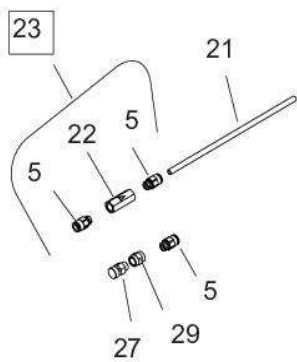
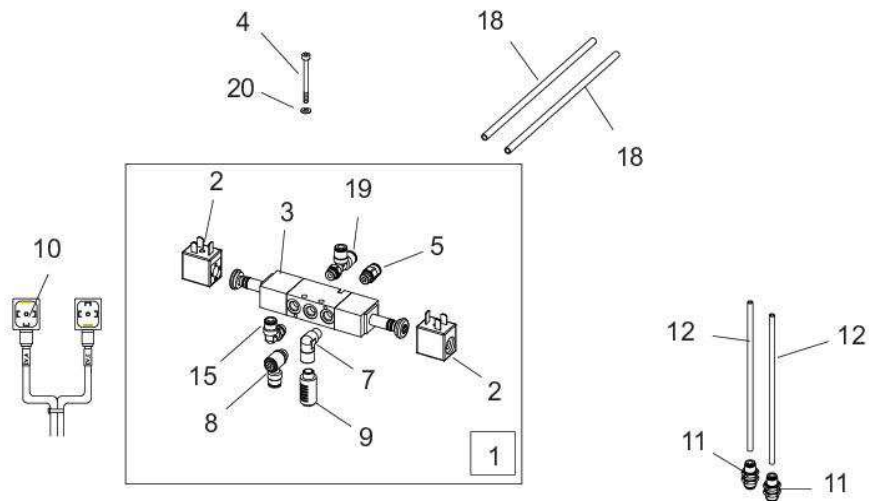
06/2025 (4-150891)

EM9680



Rif. Ref.	Codice Code	Descrizione	Description
1	5-121236A	RICAMBIO MONITOR TOUCH SCREEN RESISTIVO WIDE 22" -NOTE-	TOUCHSCREEN LCD MONITOR
2	4-117364/00	CARTER CHIUSURA POSTERIORE	REAR LOCKING PANEL
3	438319	PORTAFLANGIA A SLITTA	SLIDING HOLDER FLANGE
4	5-101514	MOZZO BLOCCAGGIO RUOTA ?STD?	?STD? LOCKING WHEEL HUB
5	5-101561A	GHIERA MAN TR40X3 H 101.5 AZ.MAN MANOPOLE GRIGIE	?STD? WHEEL LOCKING HANDLE
6	5-107394A	MANICOTTO BLOCCAGGIO RUOTA AL	?C? COUPLING LOCKING WHEEL
7	5-124507	MOZZO BLOCCAGGIO RUOTA C	C LOCKING WHEEL HUB
8	4-117227A	CHIAVE SETTORE D 42 SMONTAGGIO MOZZO ELS-PL	?C? SCPECIAL KEY
9	401627	MOLLA PREMISFERA	SPRING
10	4-104798B	CRICCHETTO DX TR40X3	RATCHET DX
11	4-104799B	CRICCHETTO SX TR40X3	RATCHET SX
12	4-120345	RONDELLA SPEC. D.50X70X1	SPECIAL WASHER D.50X70X1
13	462587	CUSC. ASSIALE D.50X70X2,8	AXIAL BEARING D.50X70X2,8
14	462600	SEEGER D.48	SEEGER D.48
15	4-104796B	LEVA AZIONAMENTO GHIERA TR40X3 -GRIGIO RAL7040-	LEVER
16	4-115863	CALOTTA BLOCCAGGIO D.129,5	LOCKING CAP D.129,5
17	4-115868	PROTEZIONE CALOTTA	PROTECTION
18	4-115864	DISTANZIALE D.78X35	SPACER D.78X35
19	203841	PINZA	CALIPER
20	4-112540C	PESO DI CALIBRAZIONE GR 249.5	CALIBRATION WEIGHT
21	5-107970	CONO CPI BLACK D.68-42	BLACK CONE CP1 D.68-42
22	5-107968	CONO CP2 BLACK D.60-87	BLACK CONE CP2 D.60-87
23	5-107969	CONO CP3 BLACK D.83-103,5	BLACK CONE CP3 D.83-103,5
24	5-107971	CONO CP4 BLACK D.100-118,5	BLACK CONE CP4 D.100-118,5
25	453144	CALIBRO	CALIBER
26	2-80171	VTBIC D.3,9X9,5	ROUNDED HEAD SCREW CROSS CUT D.3,9X9,5
27	5-106644	CALIBRO CONI BIFRONTI	CALIBER
28	4-119500	CONO BIFRONTI 1A-1B D. 62X51,3	CONE 1A-1B D. 62X51,3
29	4-119501	CONO BIFRONTI 2A-2B D. 71X61	CONE 2A-2B D. 71X61
30	4-119502	CONO BIFRONTI 3A-3B D. 79,7X69	CONE 3A-3B D. 79,7X69
31	4-119503	CONO BIFRONTI 4A-4B D. 87,8X78	CONE 4A-4B D. 87,8X78
32	4-119504	CONO BIFRONTI 5A-5B D. 95,6X85,7	CONE 5A-5B D. 95,6X85,7
33	4-119505	CONO BIFRONTI 6A-6B D. 103,8X93,4	CONE 6A-6B D. 103,8X93,4
34	4-119506	CONO BIFRONTI 7A-7B D. 112X102,8	CONE 7A-7B D. 112X102,8
35	4-119507	CONO BIFRONTI 8A-8B D. 117,6X111,6	CONE 8A-8B D. 117,6X111,6
36	000036	000036	000036
37	000006	000006	000006
38	000008	000008	000008
39	000010	000010	000010
40	000012	000012	000012
41	000014	000014	000014
42	000016	000016	000016
43	000018	000018	000018
44	000020	000020	000020
45	000022	000022	000022
46	000024	000024	000024
47	000026	000026	000026
48	000028	000028	000028
49	000030	000030	000030
50	000032	000032	000032
51	000034	000034	000034
52	000040	000040	000040
53	000038	000038	000038

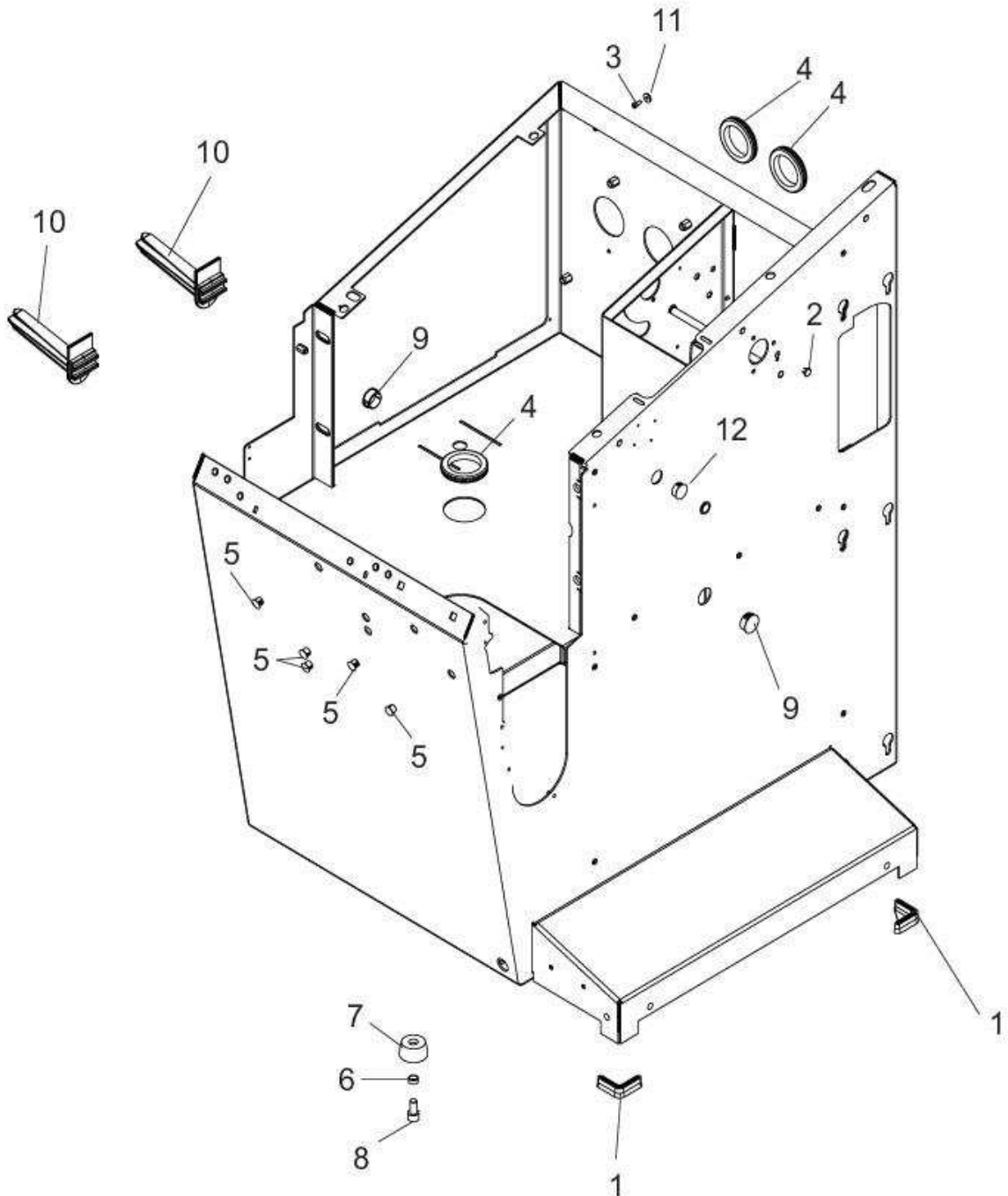
PNEUMATIC GROUP



[Return to Overall](#)

Rif. Ref.	Codice Code	Descrizione	Description
1	5-129312	ELETTROVALVOLA CPL.	VALVE ASSEMBLY
2	3-10236	SOLENOIDE 24VDC	SOLENOID 24VDC
3	3-10235	ELETTROVALVOLA G1/8	VALVE G1/8
4	2-02286	VITE TCEI 4762 M4X45	SOCKET HEAD CAP SCREW M4X45
5	3-00461	RACCORDO DRITTO G1/8G-T6	QUICK UNION 1/8 6-4
6	456859	VTCEI CON COLLARE M6X16	HEX. SOCKET HEAD SCREW M6X16
7	3-00138	RACCORDO A L G1/8 FEMMINA	FEMALE ELBOW G1/8
8	3-02044	RACCPN-LO- G1/8 T6 + O-RING	LO-FITTING G1/8 WITH O-RING
9	3-00183	SILENZIATORE IN PLASTICA 1/8	PLASTIC SILENCER 1/8
10	4-133443A	CAVO EL 4 X 0.35 MM2 L 700 SPOX-F - PR. EL.VALV.	VALVE CABLE L.400mm
11	3-00017	RACCPN-PASSAP. M14X1-T6	FITTING M14X1-T6
12	315267	TUBO RYLSAN 6X1 L.220mm	PIPE D.6X4 L. 220mm
13	5-125111	RICAMBIO KIT REGOLATORE PRESS + FILTRO	FILTER ASSEMBLY
14	5-107139	STAFFA FILTRO	FILTER BRACKET
15	3-05569	RACC-PN GOMITO ORIENT M-T G1/8 T 6 STROZZ 1.5	ADJUSTABLE ELBOW FITTING WITH CHOKE-G1/8-T6
17	355590A	TUBO PN PA D6X4 L 800 NERO	PIPE D.6X1 L. 800mm
18	324011A	TUBO PN PA D6X4 L 600 NERO	PIPE D.6X1 L. 600mm
19	3-00063	RACCPN-TLO-G1/8-T6	TLO-FITTING-G1/8-T6
20	2-00209	RONDELLA D.4	WASHER FOR HEX CAP SCREW M4
21	373220	TUBO D.6X1 L.150mm	PIPE D.6X1 L.150mm
22	3-01272	VALVOLA UNIDIREZIONALE VNR-210-1/8	CHECK VALVE
23	5-106916	VALVOLA SBLOCCO EMERGENZA CPL.	EMERGENCY VALVE ASSEMBLY
24	3-00086	RACCPN-D-G1/4-GR7	FITTING 1/4
25	3-00257	GIUNTO INNESTO RAPIDO - R DN5 R 9	QUICK MALE UNION R DN5 R 9
26	5-125111	RICAMBIO KIT REGOLATORE PRESS + FILTRO	REGULATOR ASSEMBLY
27	3-04004	RACCPN-SILENZIATORE-G1/8	SILENCER G1/8
29	3-00102	RACCPN MANICOTTO G/8F	COUPLING BOX G1/8F

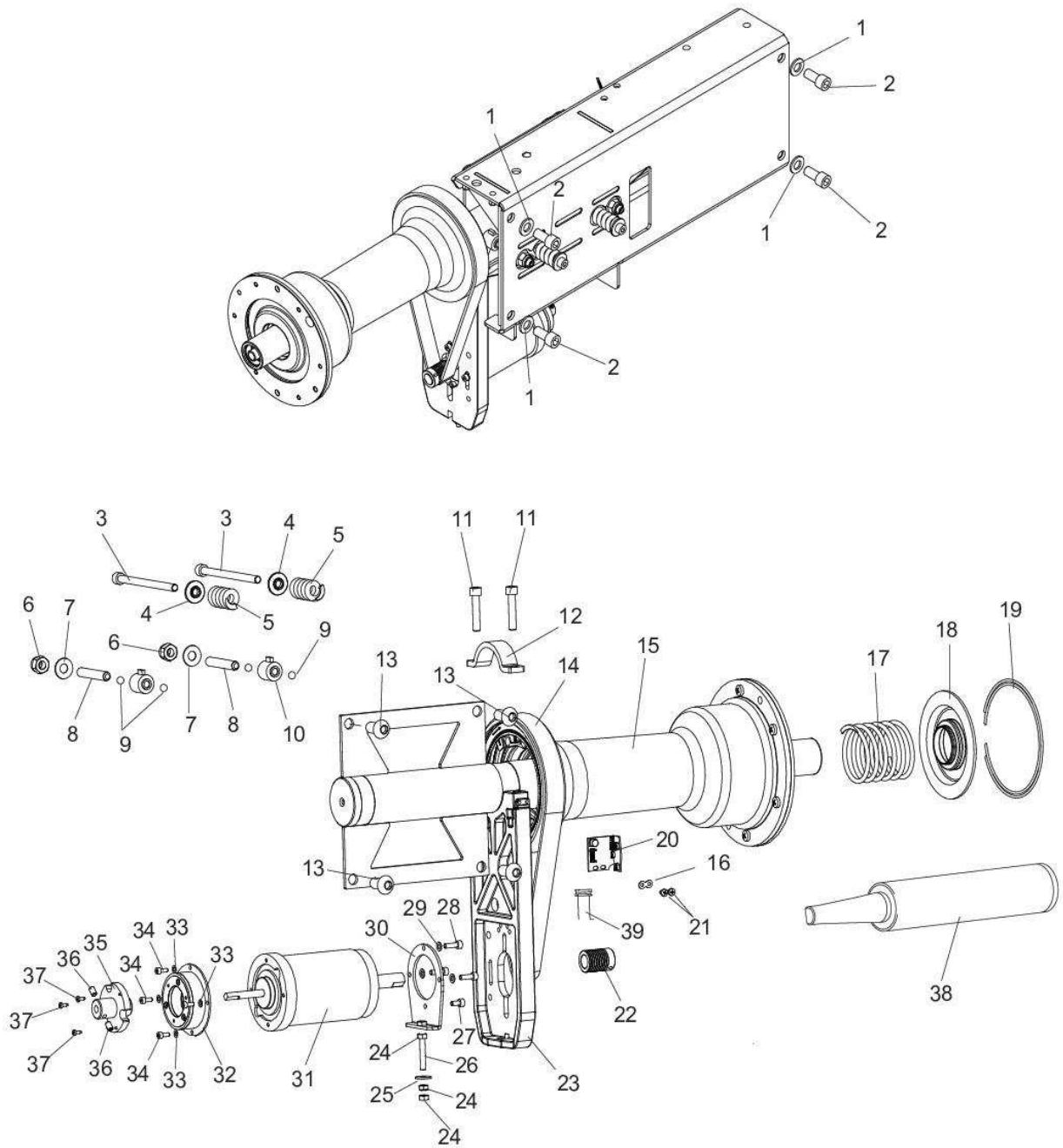
BODY



Return to Overall

Rif. Ref.	Codice Code	Descrizione	Description
1	4-117130	PIEDE D.35X35	FOOT D.35X35
2	3-02956	TAPPO IN PLASTICA NERO D.8	PLASTIC BLACK CAP D.8
3	2-02080	VITE TCEI M4X10	SOCKET HEAD CAP SCREW M4X10
4	460314	PASSACAVO ROTONDO	CABLE PASS
5	435957	TAPPO A SCATTO D.12,7	CAP D.12,7
6	360095	DISTANZIALE PIEDE	FOOT SPACER
7	460029	PIEDE	FOOT
8	2-01985	VITE TCEI M10X20	SOCKET HEAD CAP SCREW M10X20
9	456193	TAPPO NERO D.25,4 SP4,4	BLACK CAP D.25,4 SP4,4
10	438319	PORTAFLANGIA A SLITTA	SLIDING HOLDER FLANGE
11	300072	RONDELLA D.4,25X13X2	D.4,25X13X2
12	3-02019	TAPPO D.21	PLUG D.21

BLOCCAGGIO MANUALE MANUAL LOCKING

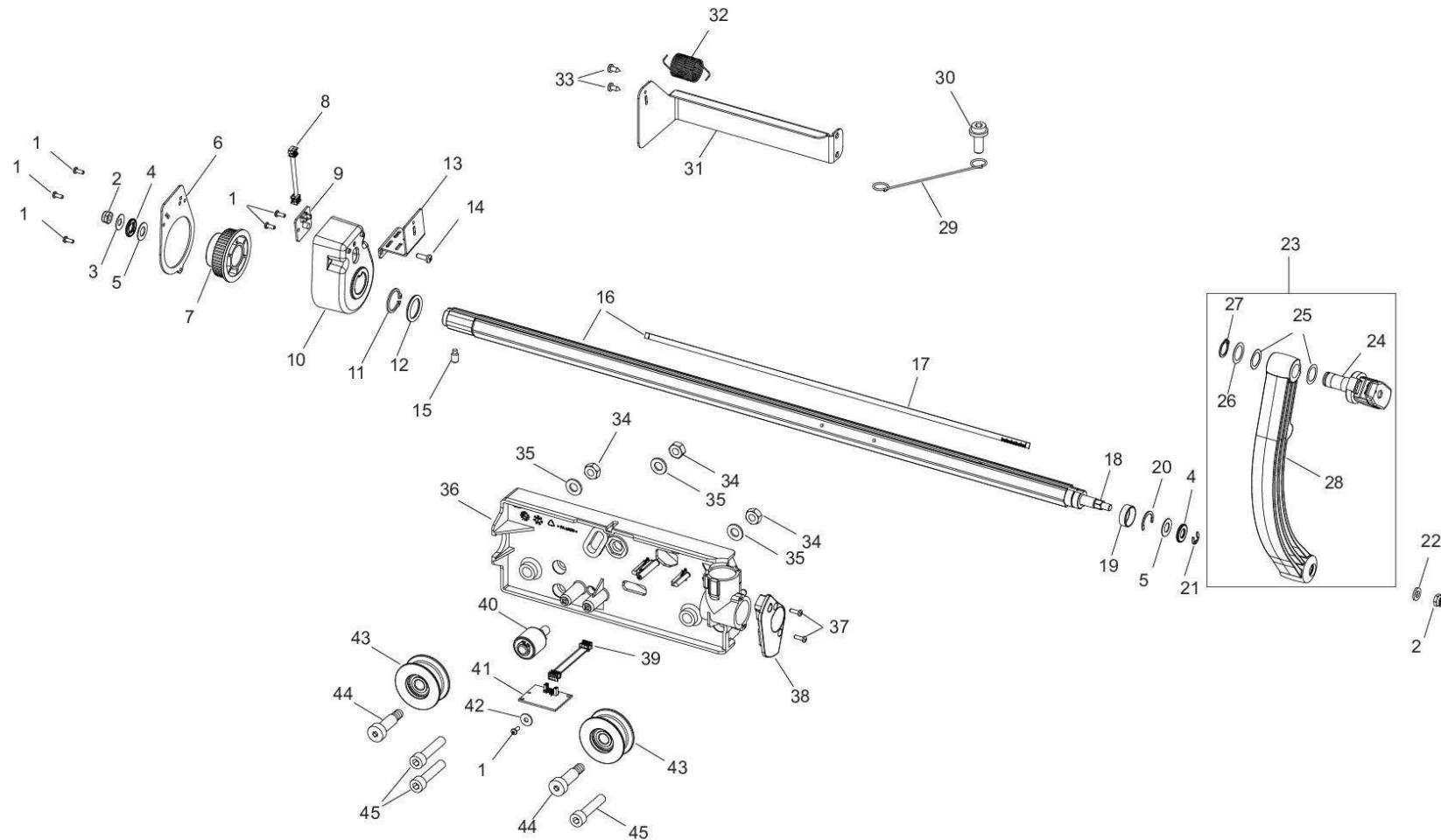


Return to Overall

Rif. Ref.	Codice Code	Descrizione	Description
1	2-00214	RONDELLA D.12	WASHER FOR HEX CAP SCREW M12
2	2-01806	VITE TCEI M12X35	SOCKET HEAD CAP SCREW M12X35
3	2-03661	VTCEI M8X120	CIRCULAR SOCKET HEAD SCREW M8X120
4	4-104650B	BOCCOLA FLANG DI 8.5 DE 125 H 4.5 DF 25 SF 2.5 ACC POST MOLLA PICK UP	BUSH REAR SPRING PICK UP
5	4-104652A	MOLLA COMP CIL UNI 7900 DE 25 DF 6 LO 40.5 IT 5	SPRING D.6X25X41
6	2-01019	DADO AUTOBLOCCANTE M10	NUT WITH POLYAMIDE RING M10
7	424993	MOLLA D.10,2X23X1,25	SPRING D.10,2X23X1,25
8	2-01887	VSTEI P.CP. M10X60	CSK SCREW SOCKET M10X60
9	2-00243	SFERA 5/16?	SPHERE 5/16?
10	5-103533	PICK-UP	PICK-UP
11	2-02008	VTCEI 1/2F M8X40	CIRCULAR SOCKET HEAD SCREW 1/2F M8X40
12	4-104591	FLANGIA SUPPORTO MOTORE	MOTOR SUPPORT FLANGE
13	2-03217	VTBEI M12X25	ROUNDED HEAD SCREW SOCKET M12X25
14	3-01750	CINGHIA	BELT
15	5-107781	GRUPPO OSCILLANTE	OSCILLATING GROUP
16	4-130102	PIASTRA FISSAGGIO ENCODER	ENCODER PLATE
17	4-104588	MOLLA D.4,8X66X121	SPRING D.4,8X66X121
18	4-104590E	DISCO PREMI MOLLA D 120 x 40	DISC SPING COMPRESSOR D.40
19	4-101740B	ANELLO EL DN 127,5 ACCIAIO PER MOLLE UNI EN 10270	RING D.127,5X2,5
20	5-120045	SCHEDA RICERCA	SEARCH P.C. BOARD
21	2-03369	VATCCIC M4X8	SCREW TAPPING HEAD CUTTING CIRC. CROSS M4X8
22	4-104599	PULEGGIA	PULLEY
23	4-106938C	STAFFA SUPPORTO MOTORE 48V -LAV-	MOTOR SUPPORT
24	2-00146	DADO ESAGONALE M6	NUT M6
25	2-00679	ROSETTA D 6X18X1,5	WASHER D.6X18X1,5
26	2-03427	VITE TE M6X50	HEXAGON HEAD CAP SCREW M6X50
27	2-00891	VITE TCEI M5X10	SOCKET HEAD CAP SCREW M5X10
28	2-03003	VITE TCEI M5X20	SOCKET HEAD CAP SCREW M5X20
29	2-71546	ROSETTA ELASTICA D.5	TOOTH WASHER D.5
30	4-104598	FLANGIA MOTORE	MOTOR FLANGE
31	5-103007	MOTORE 48V	MOTOR 48V
32	5-104252	FRENO	BRAKE
33	2-71541	ROSETTA ELASTICA D.4	TOOTH WASHER D.4
34	2-02080	VITE TCEI M4X10	SOCKET HEAD CAP SCREW M4X10
35	9004-104596	MOZZO	HUB BRAKE
36	2-00672	VSTEI P.PA. M6X10	CSK SCREW SOCKET M6X10
37	2-02908	VATCCIC M3X8	SCREW TAPP. HEAD CUTTING CIRC. CROSS M3X8
38	5-101514	MOZZO BLOCCAGGIO RUOTA ?STD?	?STD? LOCKING WHEEL HUB
39	449319	FLAT 8 VIE L.1100mm (RICERCA)	FLAT CABLE 8 WAY L.1100mm (SEARCH PCB)

Rif. Ref.	Codice Code	Descrizione	Description
1	449319	FLAT 8 VIE L.1100mm (RICERCA)	FLAT CABLE 8 WAY L.1100mm (SEARCH PCB)
2	4-101740B	ANELLO EL DN 127,5 ACCIAIO PER MOLLE UNI EN 10270	RING D.127,5X2,5
3	4-104590E	DISCO PREMI MOLLA D 120 x 40	DISC SPING COMPRESSOR D.40
4	4-104588	MOLLA D.4,8X66X121	SPRING D.4,8X66X121
6	5-123761/00	GRUPPO OSCILLANTE C	OSCILLATING GROUP ?C?
7	4-104652A	MOLLA COMP CIL UNI 7900 DE 25 DF 6 LO 40.5 IT 5	SPRING D.6X25X41
8	4-104650B	BOCCOLA FLANG DI 8.5 DE 125 H 4.5 DF 25 SF 2.5 ACC POST MOLLA PICK UP	BUSH REAR SPRING PICK UP
9	4-130102	PIASTRA FISSAGGIO ENCODER	ENCODER PLATE
10	5-120045	SCHEDA RICERCA	SEARCH P.C. BOARD
11	5-103533	PICK-UP	PICK-UP
12	5-104252	FRENO	BRAKE
13	5-103007	MOTORE 48V	MOTOR 48V
14	3-01750	CINGHIA	BELT
15	4-104598	FLANGIA MOTORE	MOTOR FLANGE
16	2-02008	VTCEI 1/2F M8X40	CIRCULAR SOCKET HEAD SCREW 1/2F M8X40
17	4-104591	FLANGIA SUPPORTO MOTORE	MOTOR SUPPORT FLANGE
18	421349	DADO ES.A. M8	AUTOLOCKING HEXAGON NUT M8
19	2-03369	VATCCIC M4X8	SCREW TAPPING HEAD CUTTING CIRC. CROSS M4X8
20	2-02908	VATCCIC M3X8	SCREW TAPP. HEAD CUTTING CIRC. CROSS M3X8
21	2-02922	VSTEI P.PA. M5X6	CSK SCREW SOCKET M5X6
22	2-03427	VITE TE M6X50	HEXAGON HEAD CAP SCREW M6X50
23	2-00146	DADO ESAGONALE M6	NUT M6
24	2-00679	ROSETTA D 6X18X1,5	WASHER D.6X18X1,5
25	2-03003	VITE TCEI M5X20	SOCKET HEAD CAP SCREW M5X20
26	2-71546	ROSETTA ELASTICA D.5	TOOTH WASHER D.5
27	2-00713	RONDELLA D.5,5X15X1,6	WASHER D.5,5X15X1,6
28	2-00891	VITE TCEI M5X10	SOCKET HEAD CAP SCREW M5X10
29	4-106938C	STAFFA SUPPORTO MOTORE 48V -LAV-	MOTOR SUPPORT
30	2-03661	VTCEI M8X120	CIRCULAR SOCKET HEAD SCREW M8X120
31	2-00243	SFERA 5/16?	SPHERE 5/16?
32	2-01887	VSTEI P.CP. M10X60	CSK SCREW SOCKET M10X60
33	424993	MOLLA D.10,2X23X1,25	SPRING D.10,2X23X1,25
34	2-01019	DADO AUTOBLOCCANTE M10	NUT WITH POLYAMIDE RING M10
35	5-123763	KIT GUARNIZIONI CILINDRO D.95	SEALS KIT CYLINDER D.95
37	5-125281	RICAMBIO CILINDRO PN 2 EFF DI 95 CORSA 76 I 552.5 DS 15 -PL-	CILYNDER ASSEMBLY D.95
39	4-123315	GIUNTO ROTANTE	DISTRIBUTOR
40	3-00463	RACCPN-D-G1/8G-T4	STRAIGHT MALE ADAPTOR G1/8 T.4
41	3-00461	RACCORDO DRITTO G1/8G-T6	QUICK UNION 1/8 6-4
42	3-00143	RACCORDO NIPPLO G1/8C	NIPLES 1/8 - 1/8
43	3-00053	RACCORDO ORIENTAB. A L G1/8G-T6	ORIENTING ELBOW FITTING 1/8 T6
44	3-00102	RACCPN MANICOTTO G/8F	COUPLING BOX G1/8F
45	3-01175	VALVOLA	VALVE
46	4-124429A	FLANGIA CIL PN POST 1 FORO D 95 DF 10 DE 119 H 18	REAR FLANGE D.95
47	3-04849	BONDED SEALS D.4.5	BONDED SEALS D.4.5
48	2-02260	VTCEI M4X14	CIRCULAR SOCKET HEAD SCREW M4X14
49	2-00902	VTSPEI M5X8	SCREW M5X8
51	5-123762	FLANGIA POSTERIORE CPL.	REAR FLANGE ASSEMBLY

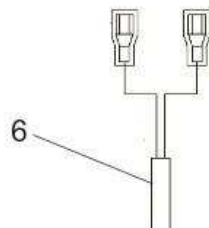
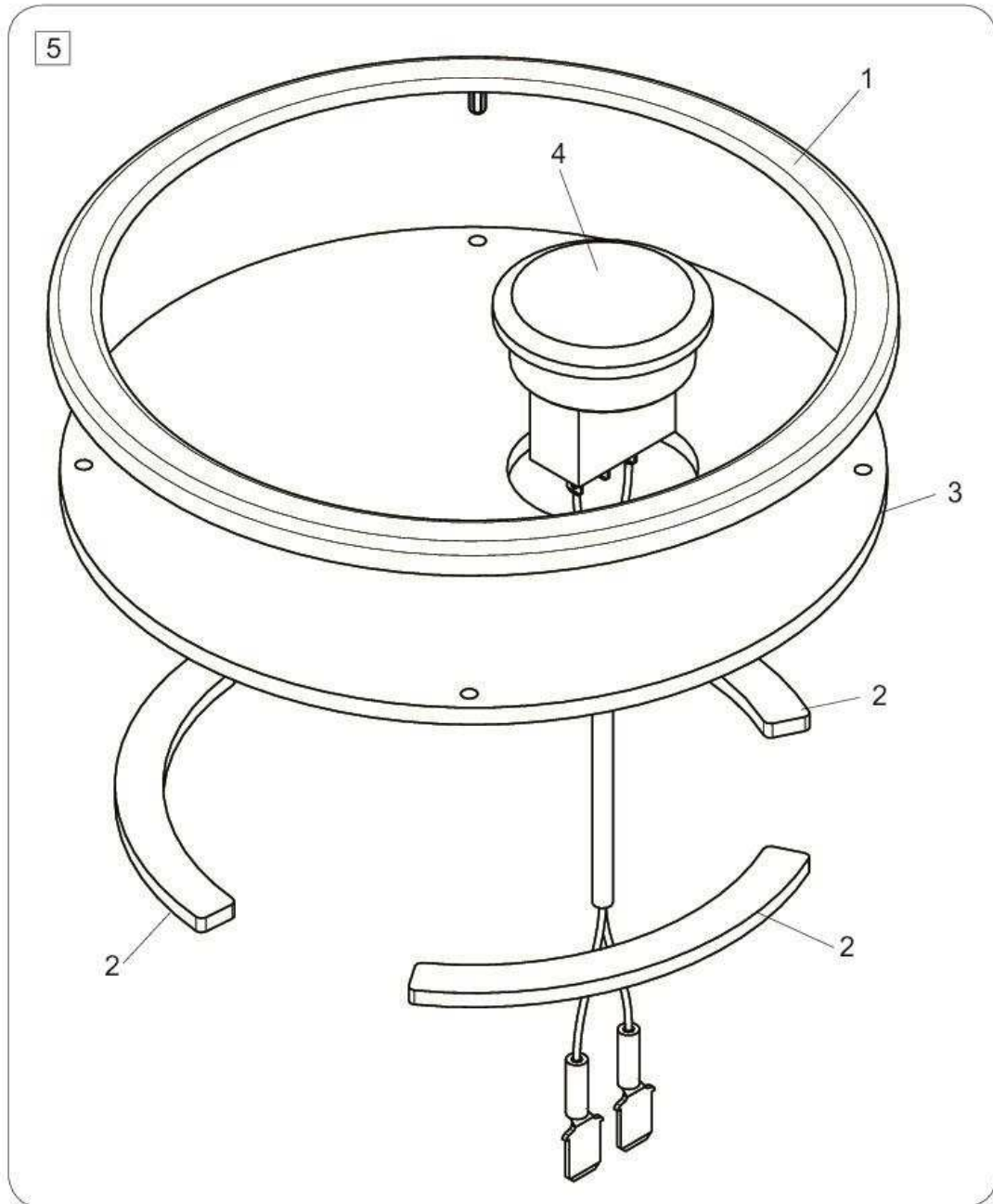
DIGITAL DETECTOR



Return to Overall

Rif. Ref.	Codice Code	Descrizione	Description
1	2-02071	VATCCIC M.3X8	SCREW TAPPING HEAD CUTTING CIRC. M.3X8
2	2-01979	DADO AUTOBLOCCANTE M6	NUT WITH POLYAMIDE RING M6
3	459001	MOLLA D.6,2X15X0,5	SPRING D.6,2X15X0,5
4	4-104484	CUSCIN. ASSIALE A RULLINI D.0,9X17X0,8	AXIAL NEEDLE BEARING D.0,9X17X0,8
5	4-104483	RALLA A RULLINI D.0,9X17X0,8	FIFTH WHEEL ROLLER D.0,9X17X0,8
6	4-109564A	LAMIERA CHIUSURA ENCODER	LOCKING PLATE ENCODER
7	5-103470A	PULEGGIA RPP 3M-6 Z 48 DF 20 DP 45.84 DE 50 H 24.2 MICROSW + CODEWHEEL	PULLEY
8	4-102559	FLAT 4 VIE L.1200mm	FLAT CABLE 4-WAY L.1200mm
9	5-103501	SK ENCODER RIFLETTENTE	P.C. BOARD ENCODER REFLECTIVE
10	4-109567	SUPPORTO SK RILEV.DIAMETRO	P.C. BOARD SUPPORT
11	2-71587	SEEGER D.20	RETAINING RING FOR SHAFT D.20
12	441728	OR D.18,64X3,53	O-RING D.18,64X3,53
13	4-150871	LAMIERA ATTACCO MOLLA DX	RIGHT SPRING ATTACHMENT SHEET METAL
14	2-02095	VATCCIC D.4X12	SCREW TAPPING HEAD CUTTING CIRC. D4X12
15	2-71374	VSTEI M6X12	CSK SCREW ROUND SOCKET M6X12
16	5-120048	ASTA+MAGNETE+RIGA MAGNETICA	ROD AND LINE WITH MAGNET MAGNETIC
17	4-108321A	ADESIVO MILLIMETRATO	MILLIMETRIC LABEL L.400MM
18	4-149590	ASTA ESAGONALE COMANDO	COMMAND HEXAGONAL ROD
19	4-104485	BOCCOLA D.17,5X19,7X6,4	BUSHING D.17,5X19,7X6,4
20	4-101457	ANELLO D.17 H.17	SEEGER D.17 H.17
21	2-01010	ANELLO D.6	SEEGER D.6
22	2-00211	RONDELLA D.6	WASHER FOR HEX CAP SCREW M6
23	5-105497	LEVA CON TERMINALE PORTAPESI	LEVER END WEIGHT HOLDERS
24	9005-101462	TERMINALE	TERMINAL STANDARD WEIGHT HOLDERS
25	450073	RONDELLA D.13	WASHER D.13
26	2-03063	RONDELLA D.14X20X0,3	WASHER D.14X20X0,3
27	2-00832	ANELLO D.13	SEEGER D.13
28	4-116242	LEVA	LEVER
29	4-106132A	GANCIO GUIDA CAVO	HOOK CABLE GUIDE
30	457693	VTCEI CON COLLARE M8X20	CIRCULAR SOCKET HEAD SCREW M8X20
31	4-150869	LAMIERA ATTACCO MOLLA SX	LEFT SPRING ATTACHMENT SHEET METAL
32	457598A	MOLLA TRAZ UNI 7900 DE 21.5 DF 0.9 IT 24.5 LO 48 OCCHIELLI TIPO 10	SPRING D.0,8X15.8X47,6
33	2-80171	VTBIC D.3,9X9,5	ROUNDED HEAD SCREW CROSS CUT D.3,9X9,5
34	421349	DADO ES.A. M8	AUTOLOCKING HEXAGON NUT M8
35	2-00212	RONDELLA D.8	WASHER FOR HEX CAP SCREW M8
36	4-104492C	SUPPORTO RILEVATORE	DETECTOR SUPPORT
37	2-02257	VITE AFOR TCCIC 8112 PH M3 x 10	SCREW HEAD CUTTING CIRC. CROSS M3X10
38	4-116241	BOCCOLA FERMO ROTAZIONE	BUSH STOP ROTATION
39	4-109588	FLAT 6 VIE L.1100mm (RILEVATORE)	FLAT CABLE 6-WAY L.1100mm (DETECTOR)
40	5-103502	RULLO SUPERIORE	UPPER ROLLER
41	5-103205	SK MAGNETI	MAGNET P.C. BOARD
42	2-91679	ROSETTA 6593 D4,0X12	WASHER D.4X12
43	4-104525	RULLO INFERIORE	LOWER ROLLER
44	4-142561	VITE SPECIALE 12.9 M8 X 13	SPECIAL SCREW 12.9 M8 X 13
45	2-02008	VTCEI 1/2F M8X40	CIRCULAR SOCKET HEAD SCREW 1/2F M8X40

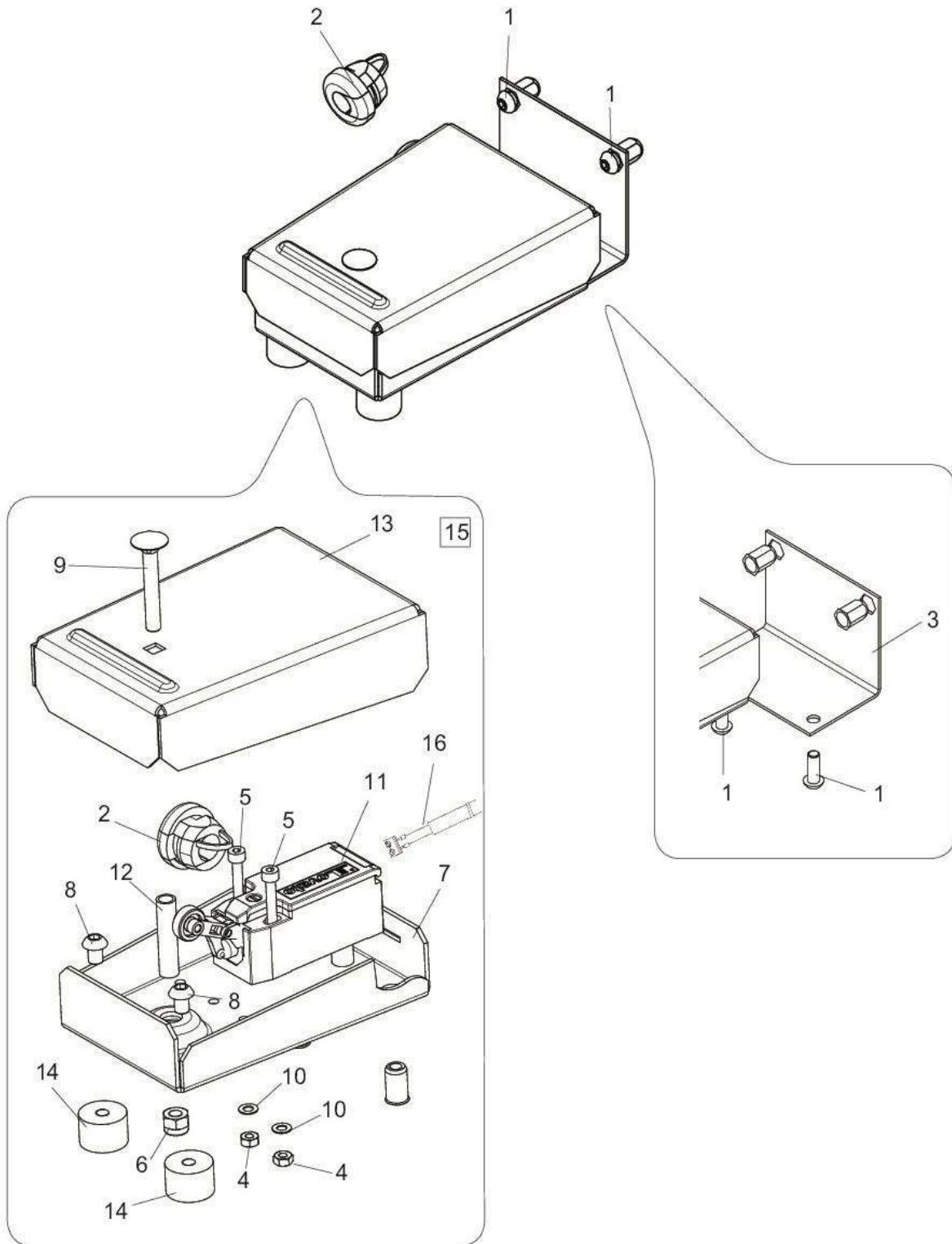
KIS KEYBOARD



[Return to Overall](#)

Rif. Ref.	Codice Code	Descrizione	Description
1	4-105569A	DISCO CORNICE D 123 X 5	CIRCULAR FRAME
2	4-117842	SETTORE ADESIVO DUAL-LOCK	DUAL-LOCK LABEL
3	4-123518/00	PIASTRA D 120 PANNELLO ONETOUCH CG - INTERPON -	SUPPORT DISC
4	5-107334	PULSANTE ONETOUCH	ONETOUCH BUTTON
5	5-120051	TASTIERA ONE TOUCH	ONE TOUCH KEYBOARD
6	4-118689A	CAVO 2 X 0.34 L 1160 PHOENIX - AMP MODU II	CABLE 2P L.1160mm (KEYBOARD)

EC PEDAL

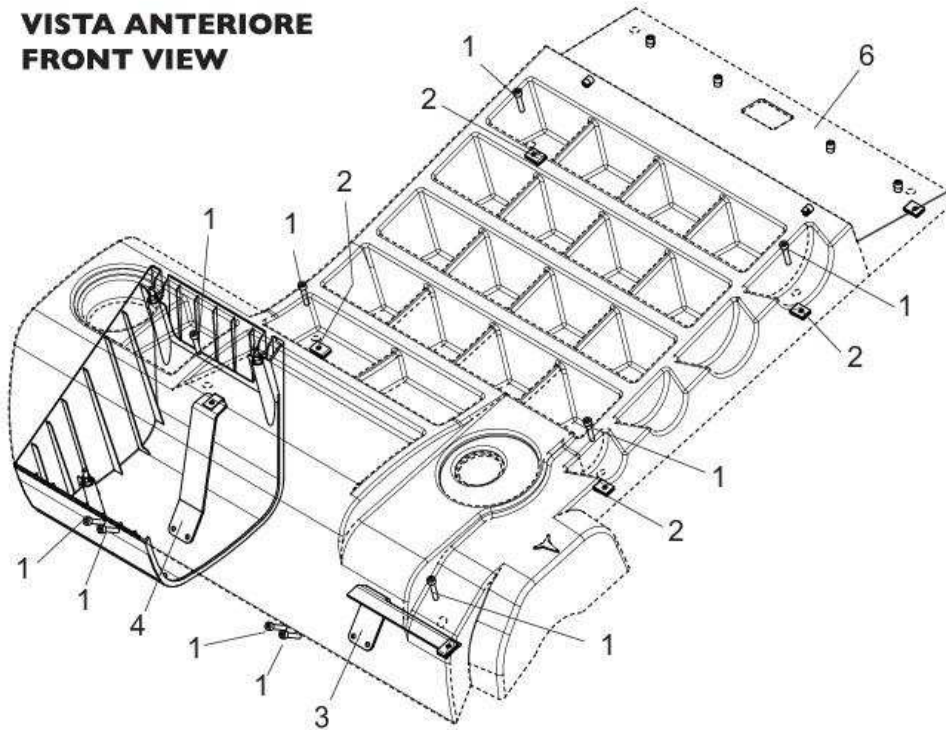


[Return to Overall](#)

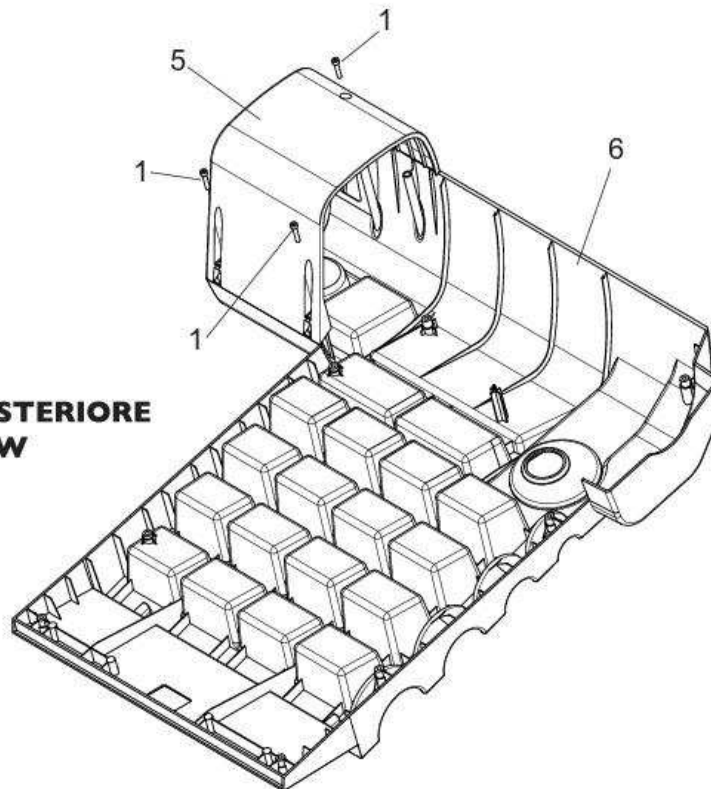
Rif. Ref.	Codice Code	Descrizione	Description
1	2-02155	VITE TBEI ISO 7380-1 BR M6 X 16	SOCKET BUTTON HEAD SCREW M6X16
2	461234	PRESSACAVO	PRESSACAVO
3	5-120053	ATTACCO PEDALE	PEDAL CONNECTION
4	2-00149	DADO ES.N 5588 6S BR M 4	NUT M 4
5	2-02078	VITE TCEI M4X30	CIRCULAR SOCKET HEAD SCREW 1/2F M4X30
6	2-01257	DADO AUTOBLOCCANTE M6	NUT WITH POLYAMIDE RING M6
7	5-120054	LAMIERA INFERIORE	LOWER PLATE
8	2-02151	VITE TBEI ISO7380 M6X8	SOCKET BUTTON HEAD SCREW M6X8
9	2-03493	VTTL 1/2F M6X40	SCREW 1/2F M6X40
10	2-71541	ROSETTA ELASTICA D.4	TOOTH WASHER D.4
11	4-105962	MICRO 10A	MICRO 10A
12	4-130772	DISTANZIALE D. 8X6X30	SPACER D.8X6X30
13	4-117194	LAMIERA SUPERIORE	UPPER PLATE
14	441675	ANTIVIBRANTE	ANTI-VIBRATION
15	5-125051	RICAMBIO PEDALE EC + STAFFA	PEDAL WITH PLATE
16	4-117894	CAVO 2X1 L.1500mm (PEDALE)	CABLE 2X1 L.1500mm (PEDAL)

WEIGHT HOLDERS

**VISTA ANTERIORE
FRONT VIEW**



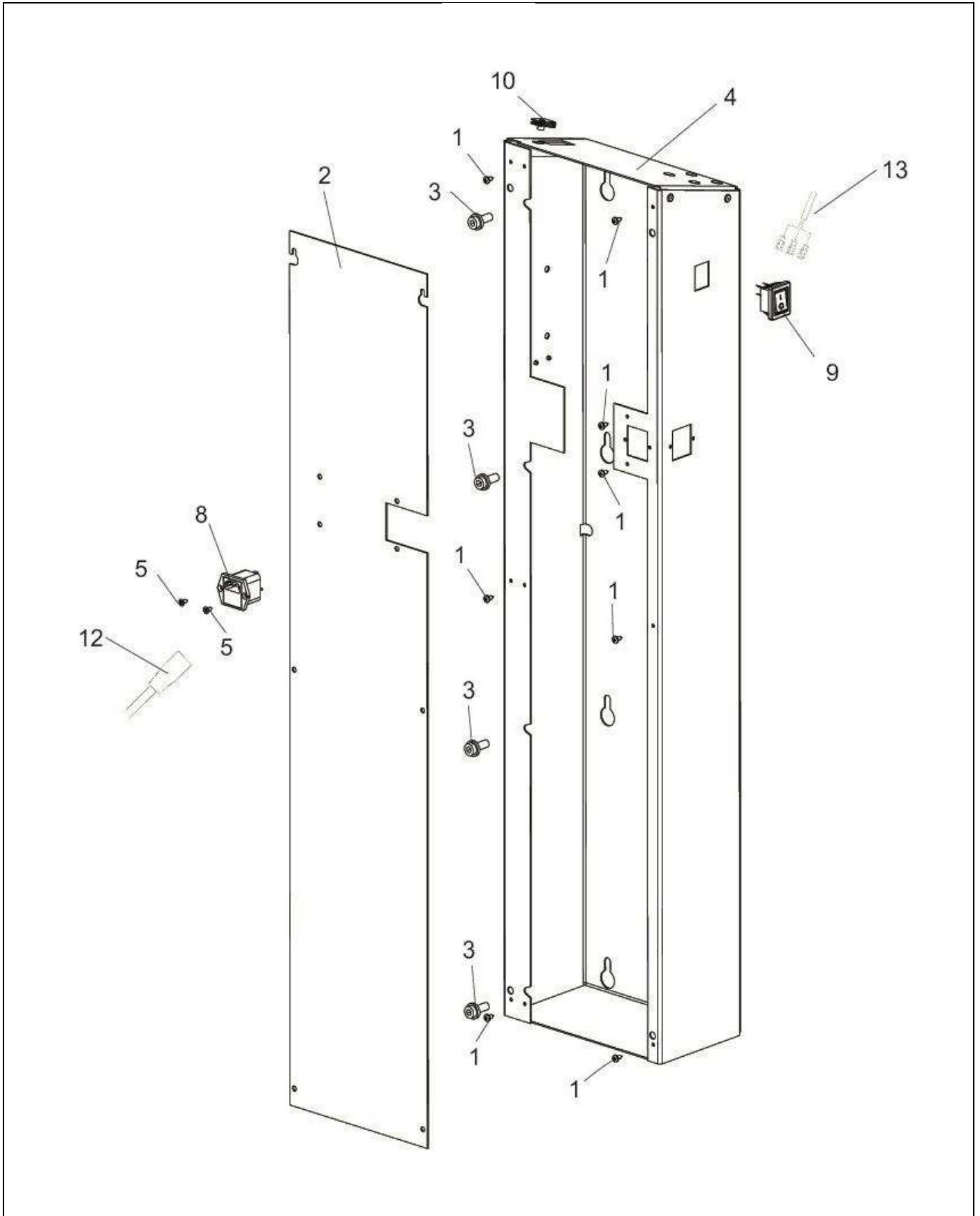
**VISTA POSTERIORE
REAR VIEW**



[Return to Overall](#)

Rif. Ref.	Codice Code	Descrizione	Description
1	2-00863	VITE TCEI M6X30	SOCKET HEAD CAP SCREW M6X30
2	4-100615	INSERTO M6	INSERT M6
3	4-117496	STAFFA ANTERIORE	FRONT PLATE
4	4-118655	STAFFA ANTERIORE SX	BRACKET LEFT FRONT
5	4-116188/90A	CARTER INFERIORE COPERCHIO PORTAPESI	LOWER CARTER
6	4-116190/90	COPERCHIO PORTAPESI DD	COVER WEIGHT HOLDERS

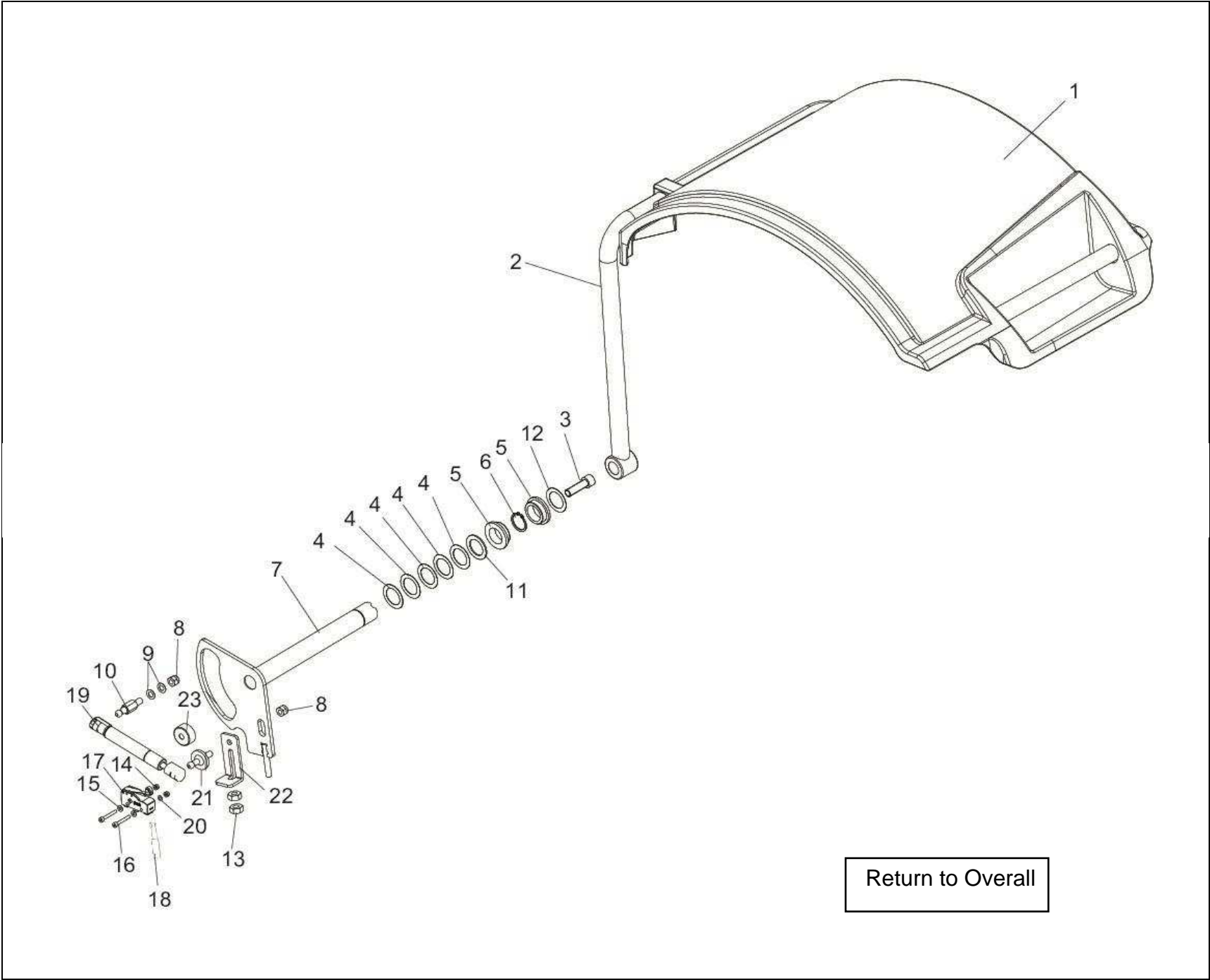
REAR LEFT COLUMN



[Return to Overall](#)

Rif. Ref.	Codice Code	Descrizione	Description
1	2-80171	VTBIC D.3,9X9,5	ROUNDED HEAD SCREW CROSS CUT D.3,9X9,5
2	5-120057/00B	RICAMBIO PANNELLO CHIUSURA COLONNA SX -VERN-	LOCKING PANEL
3	457693	VTCEI CON COLLARE M8X20	CIRCULAR SOCKET HEAD SCREW M8X20
4	5-120058/00B	RICAMBIO COLONNA POSTERIORE SX -VERN-	REAR COLUMN
5	2-01945	VATSPIC D.3,9X9,5	TAPPING SCREW PLAT SOCKET CSK D.3,9X9,5
8	3-02943	SPINA BIPOLARE 10A-250V	BIPOLAR PLUG 10A-250V
9	3-02944	INTERRUTTORE BIPOLARE	BIPOLAR SWITCH
10	4-100615	INSERTO M6	INSERT M6
12	3-01943	CAVO RETE 2-2,5MT	POWER CABLE 2-2,5MT
13	4-107769A	CAVO EL 3 X 0.75 MM2 1500 IEC 60320 C14 2P+T VDE FASTON F TOT PREIS 3P	PC POWER SUPPLY CABLE

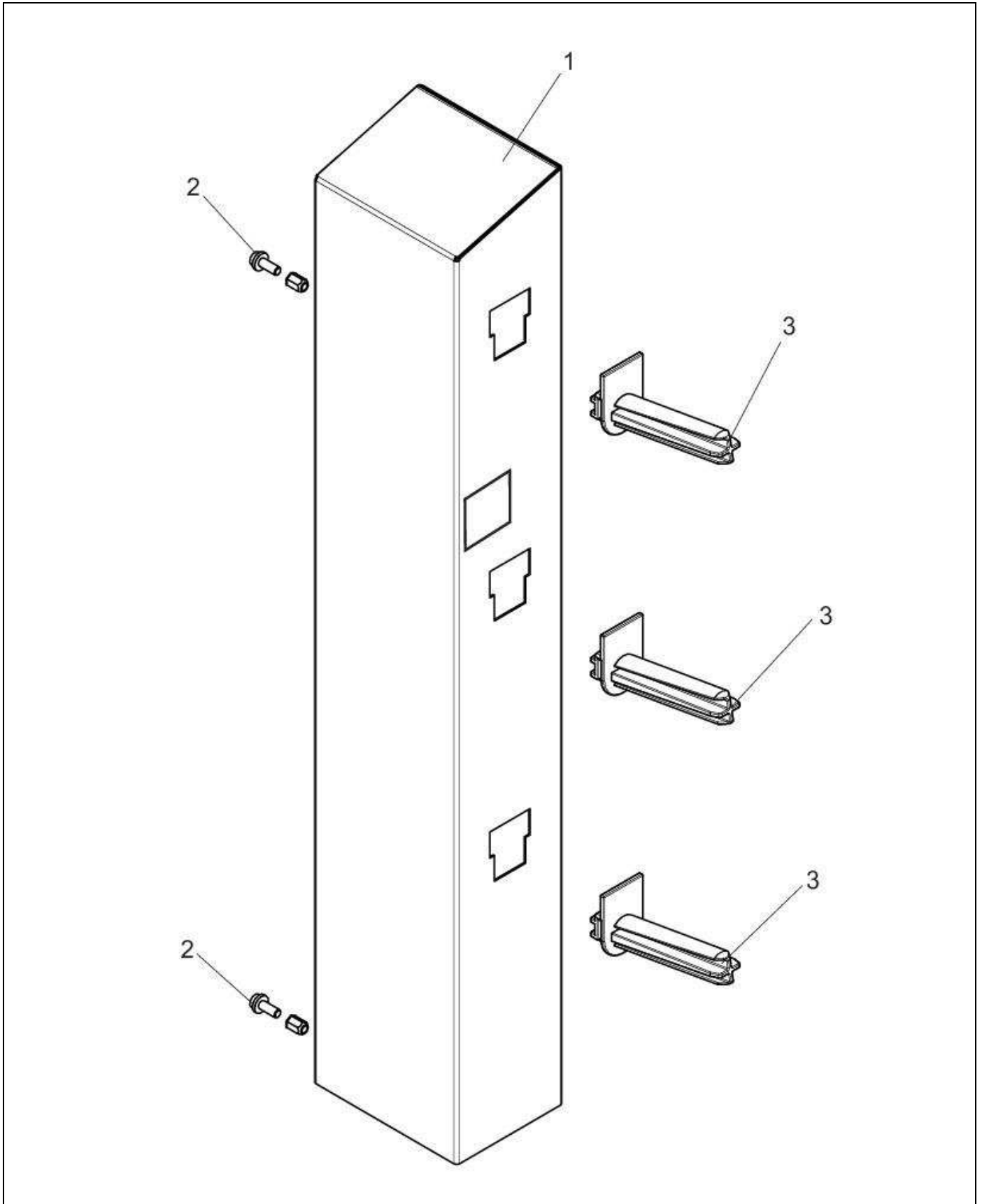
PROTECTION GROUP



Return to Overall

Rif. Ref.	Codice Code	Descrizione	Description
1	4-105459/90C	PROTEZIONE RUOTA 44	WHEEL PROTECTION 44?
2	5-120580/00A	TUBO SUPPORTO PROTEZIONE CON VITI	EXTERNAL TUBE PROTECTION
3	2-03001	VTCEI M12X40	CIRCULAR SOCKET HEAD SCREW M12X40
4	436721	RONDELLA D.28X42X0,5	WASHER D.28X42X0.5
5	433637A	BOCCOLA FLANG d 28 x D 38 x 13 PROTEZIONE	BUSH D.28X38X13
6	2-01110	SEEGER D.28	SEEGER D.28
7	4-131513A	CAMMA MOVIMENTAZIONE PROTEZIONE -SALD-	PROTECTION PIN
8	2-01020	DADO AUTOBLOCCANTE M8	NUT WITH POLYAMIDE RING M8
9	2-00193	ROSETTA D.8	WASHER D.8
10	4-131514	SNODO M8 D.10	JOINT M8 D.10
11	4-109006	RONDELLA D.28,5X42X2	WASHER D.28,5X42X2
12	436721	RONDELLA D.28X42X0,5	WASHER D.28X42X0.5
13	2-00152	DADO ES. M10	NUT M10
14	2-02883	DADO AUTOBL.BASSO 7474 M4	SELF-LOCKING LOW NUT M4
15	2-00209	RONDELLA D.4	WASHER FOR HEX CAP SCREW M4
16	2-02078	VITE TCEI M4X30	SOCKET HEAD CAP SCREW M4X30
17	4-109005A	INTERRUTTORE LEVA ROT 2 POLI 250 V 16 A ON-MOM A VITE 1NO + 1NC	MICROSWITCH 16A 250V
18	4-119617	CAVO 2P L.900mm (PROT. RUOTA)	CABLE 2P L.900mm (WHEEL COVER)
19	4-131899	MOLLA GAS	GAS SPRING
20	2-00196	ROSETTA ELASTICA D.4	TOOTH WASHER D.4
21	4-131515	SNODO M8	JOINT M8
22	4-131516	STAFFA FISSAGGIO MOLLA A GAS	GAS SPRING BRACKET
23	4-118425	TAMPONE D.30X13	PAD D.30X13

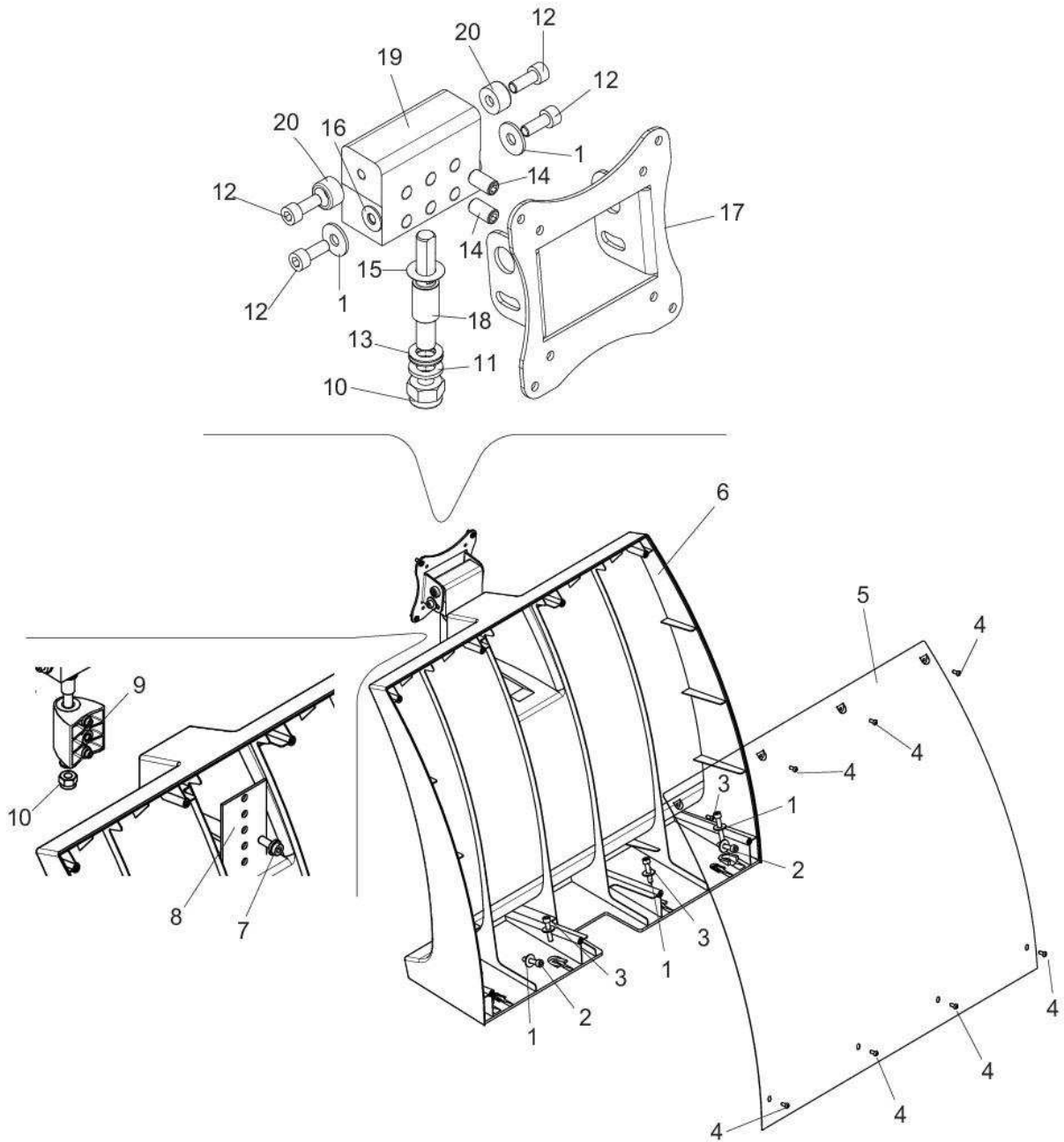
RIGHT REAR COLUMN



[Return to Overall](#)

Rif. Ref.	Codice Code	Descrizione	Description
1	5-120059/00	RICAMBIO COLONNA POSTERIORE DX	RIGHT REAR COLUMN
2	457693	VTCEI CON COLLARE M8X20	CIRCULAR SOCKET HEAD SCREW M8X20
3	438319	PORTAFLANGIA A SLITTA	SLIDING HOLDER FLANGE

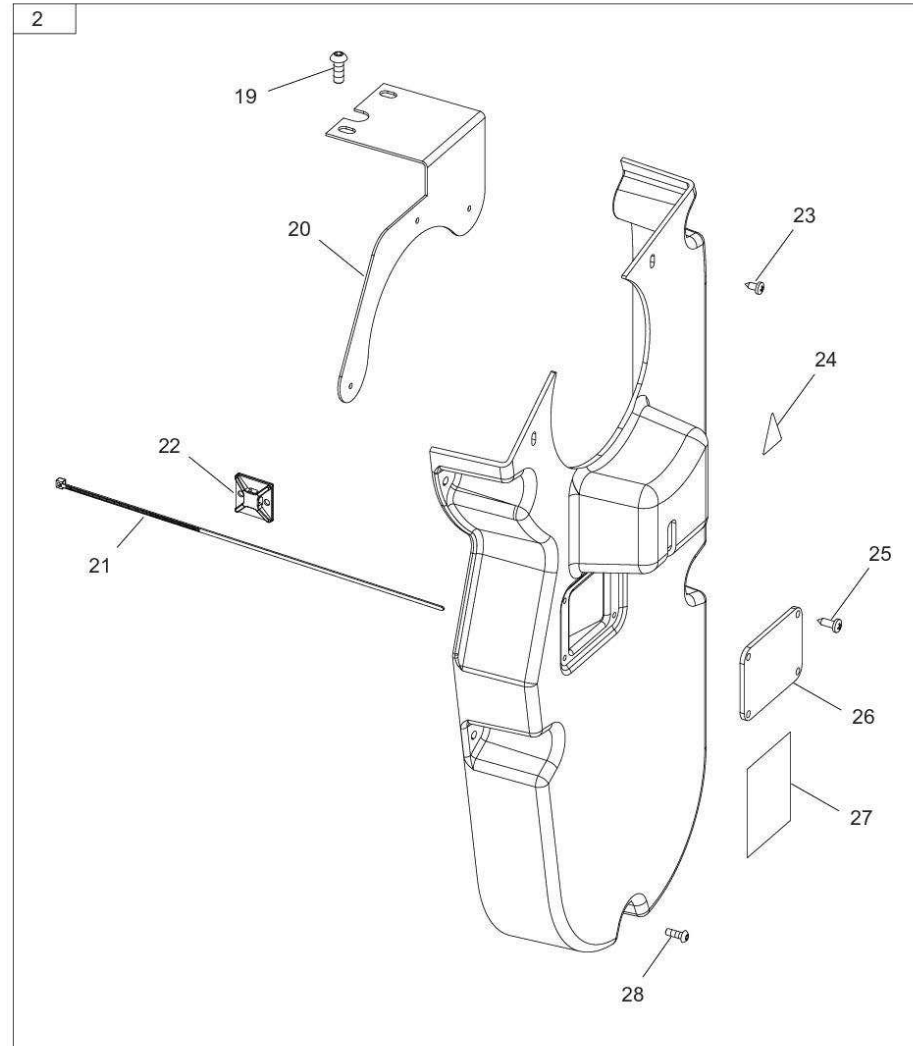
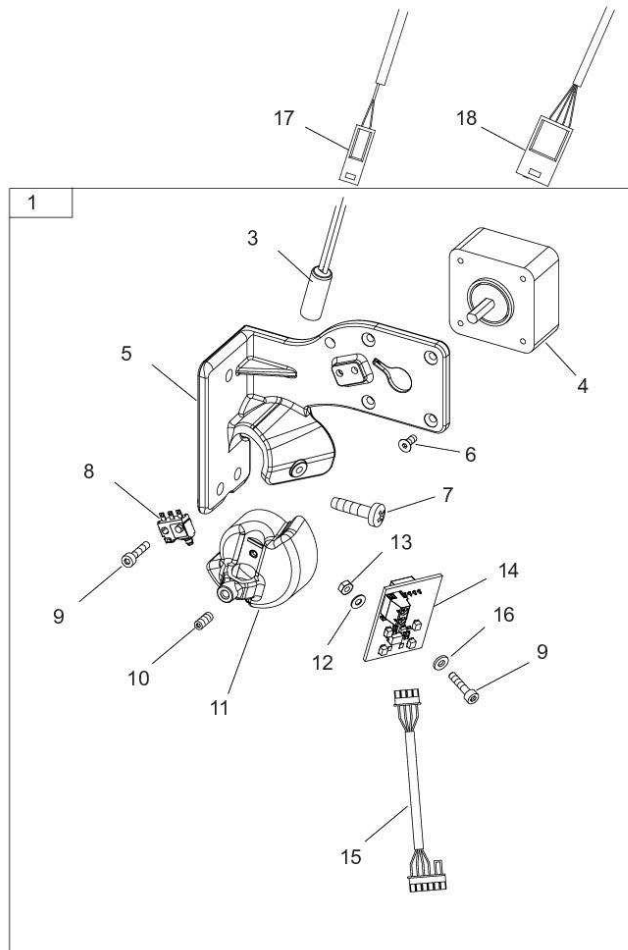
HEAD GROUP



Return to Overall

Rif. Ref.	Codice Code	Descrizione	Description
1	2-80079	RONDELLA PIANA D.6X24X2	WASHER D.6x24x2
2	2-00863	VITE TCEI M6X30	SOCKET HEAD CAP SCREW M6X30
3	2-71342	VITE TCEI 4762 M6x50	CIRCULAR SOCKET HEAD SCREW 1/2 M6X50
4	9002-02145	VTBEI ISO7380 BR M 4X 10	ROUNDED HEAD SCREW SOCKET M4X10
5	4-118214/00A	PANNELLO CHIUSURA TESTATA	CARTER HEAD SUPPORT
6	4-116187/90	SUPPORTO DISPLAY / MONITOR	HEAD SUPPORT
7	457693	VTCEI CON COLLARE M8X20	CIRCULAR SOCKET HEAD SCREW M8X20
8	4-118215	PIASTRA	PLATE
9	4-105400	BLOCCHETTO	BLOCK
10	2-01019	DADO AUTOBLOCCANTE M10	NUT WITH POLYAMIDE RING M10
11	2-02067	RONDELLA D.10	WASHER D.10
12	2-02378	VITE TCEI M6X16	SOCKET HEAD CAP SCREW M6X16
13	2-02993	ROSETTA D.10	WASHER D.10
14	2-71768	VSTEI M8X16	CSK SCREW ROUND SOCKET M8X16
15	310842	RONDELLA D.10,25X20X0,3	WASHER D.10,25X20X0,3
16	3-01756	RONDELLA PLASTICA D.6X14X1	PLASTIC WASHER D.6x14x1
17	4-119950/00	PIASTRA MONITOR VESA 75/100	MONITOR PLATE
18	4-118828	PERNO VERTICALE	VERTICAL PIN
19	4-119949	CORPO SNODO	BODY JOINT
20	4-118830	BOCCOLA FULCRO SNODO	BUSHING FULCRUM JOINT

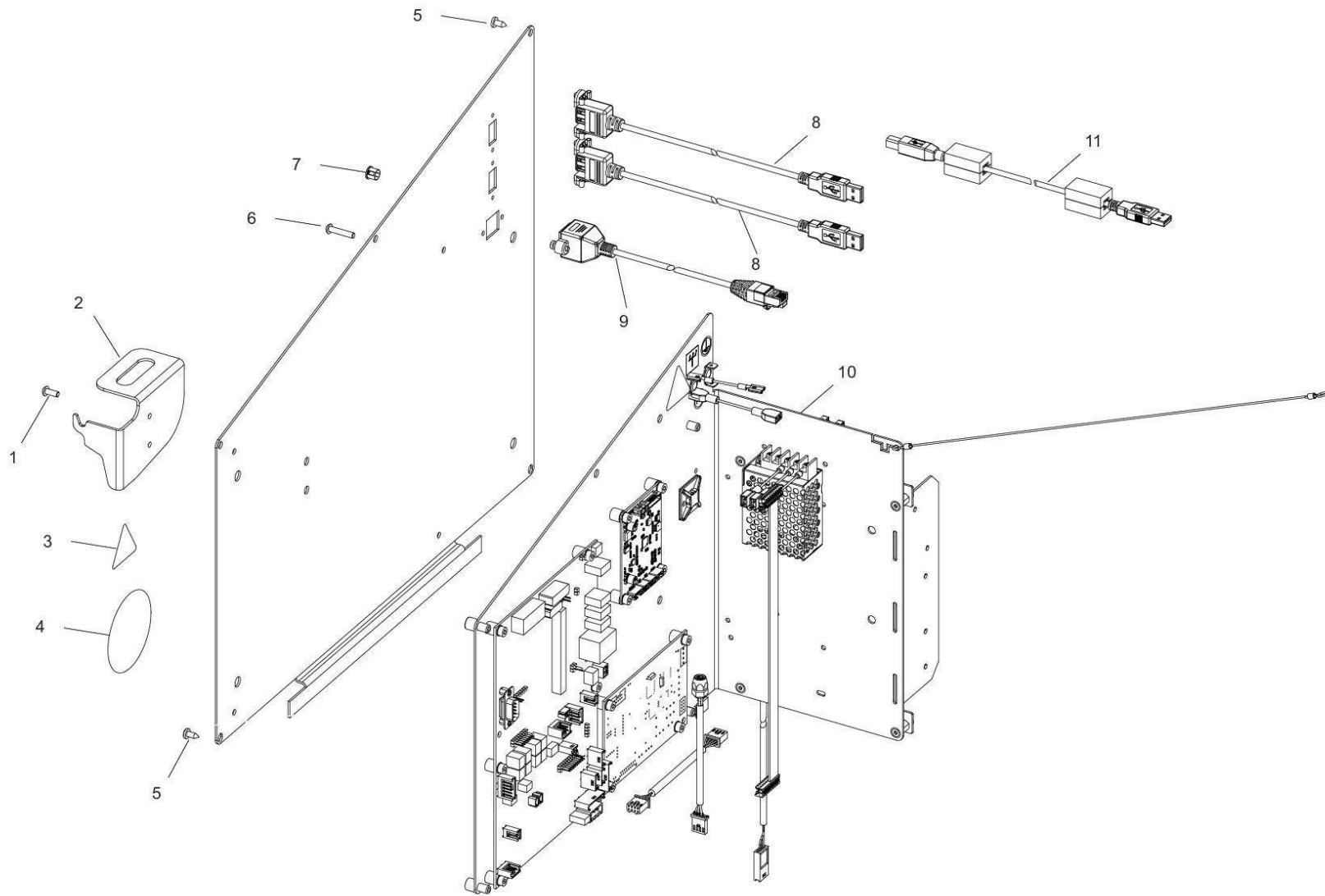
LIGHTING GROUP



Return to Overall

Rif. Ref.	Codice Code	Descrizione	Description
1	5-129362	KIT COMPLETO PTR	PTR ASSEMBLY
2	5-129368/90	KIT CARTER FRONTALE	FRONT PROTECTION
3	4-150966	DIODO LASER	DIODE LASER
4	4-150965	MOTORE ELETTRICO PASSO-PASSO	ELECTRIC STEPPER MOTOR
5	4-151027	STAFFA SUPPORTO PTR	PTR SUPPORT BRACKET
6	2-02396	VITE TSPEI 5933 M 3X8	SOCKET COUNTERSUNK SCREW M3X8
7	2-03103	VATCCIC M5X20	SCREW TAPPING HEAD CUTTING CIRC. M5X20
8	4-150967	MICROINTERRUTTORE 1NO + 2NC + 5V 0.5A	MICROSWITCH 1NO + 2NC + 5V 0.5A
9	2-94138	VITE TCEI M3X14	SOCKET HEAD CAP SCREW M3X14
10	3-04231	VITE SPECIALE M3 X 5	SPECIAL SCREW M3X5
11	4-151028	SUPPORTO ROTANTE DIODO PTR	PTR DIODE ROTARY SUPPORT
12	2-00208	RONDELLA D.3	WASHER FOR HEX CAP SCREW M3
13	2-00142	DADO ES.N 5588 M3	NUT M3
14	4-113647	SK ILLUMINATORE	LIGHTING P.C. BOARD
15	4-113078A	CAVO L.2000mm (ILLUMINATORE)	CABLE L.2000mm (LIGHTING)
16	468976	RONDELLA IN PLASTICA D.3	PLASTIC WASHER D.3
17	4-150964	CAVO DIODO LASER	LASER DIODE CABLE
18	4-150963	CAVO MOTORE PASSO-PASSO	STEPPER MOTOR CABLE
19	2-02155	VITE TBEI ISO 7380-1 BR M6 X 16	SOCKET BUTTON HEAD SCREW M6X16
20	4-131322/00	STAFFA CONNESSIONE PLASTICHE	PLASTIC CONNECTION BRACKET
21	022800200	FASCETTA STRAPPO L 280 B 3.5 SP 1	BAND 280X3,5
22	422220	BASETTA DI FISSAGGIO	FIXING BASE
23	2-80171	VTBIC D.3,9X9,5	ROUNDED HEAD SCREW CROSS CUT D.3,9X9,5
24	1010291	ADESIVO PERICOLO LASER	LASER DANGER STICKER
25	2-04025	VITE AFIL TBIC ISO 7049 D 4.2 X 13	SELF-TAPPING SCREW D.4.2X13
26	4-151030	PROTEZIONE ILLUMINATORE	LIGHT PROTECTION
27	1010283	ADESIVO LASER DI CLASSE 2 MLLG	CLASS 2 MLLG LASER LABEL
28	2-02177	VITE TBEI ISO 7380-1 10.9 M4 X 12	SOCKET BUTTON HEAD SCREW M4X12

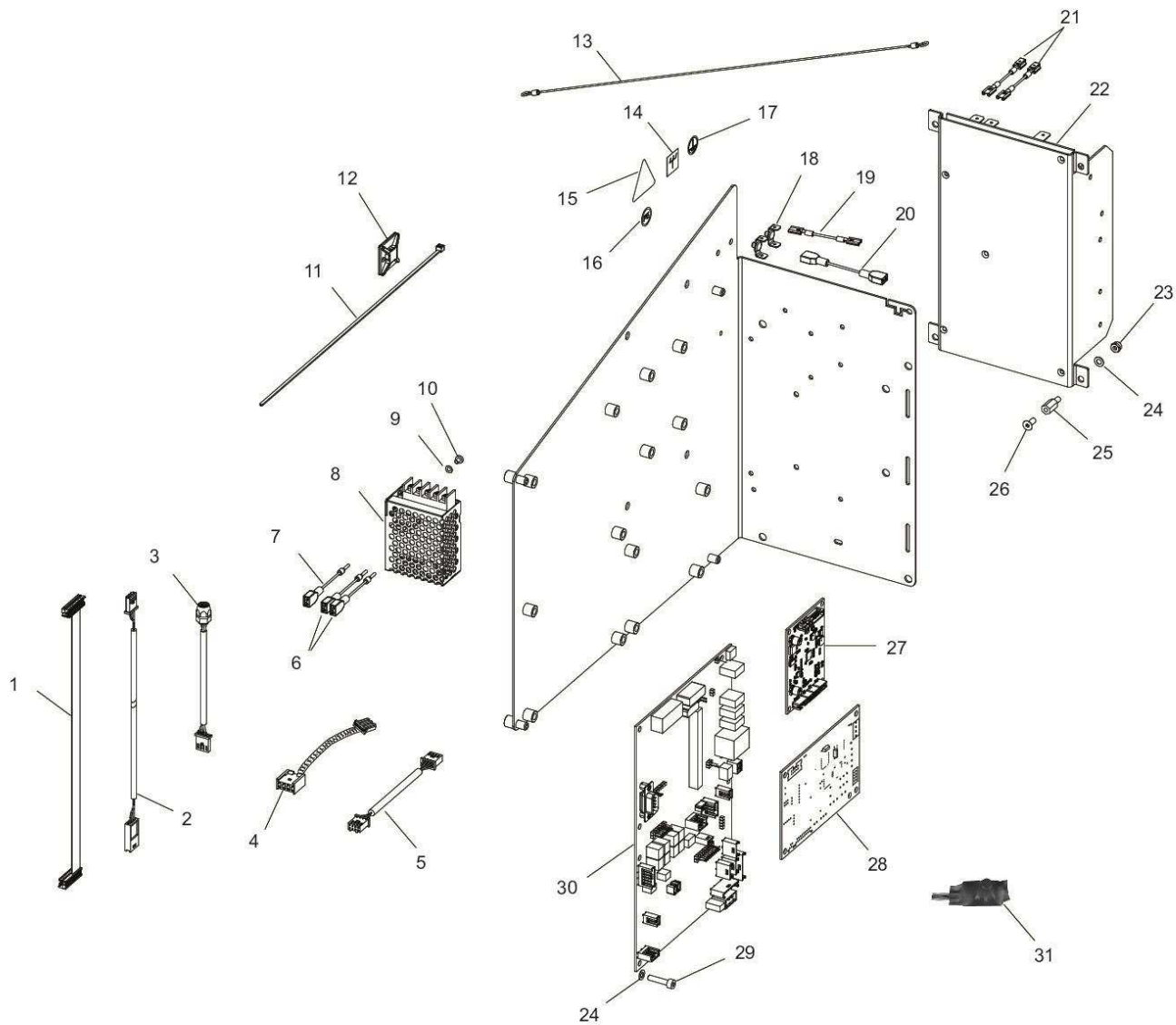
ELECTRIC PANEL



Return to Overall

Rif. Ref.	Codice Code	Descrizione	Description
1	9002-02145	VTBEI ISO7380 BR M 4X 10	ROUNDED HEAD SCREW SOCKET M4X10
2	4-130909/99	SUPPORTO ACCESSORI	BRACKET
3	425211A	ADESIVO PERICOLO TENSIONE	WARNING LABEL
4	446598	ADESIVO SCOLLEGARE MACCHINA	STICKER WARNING DISCONNECT MACHINE
5	2-80171	VTBIC D.3,9X9,5	ROUNDED HEAD SCREW CROSS CUT D.3,9X9,5
6	2-02164	VITE TBEI ISO 7380-1 M4 X 20	SOCKET BUTTON HEAD SCREW M4X20
7	445294	TAPPO TONDO D.8	ROUND CAP D.8
8	4-113407A	CAVO EL 4 X AWG 28 L 1800 USB A-M - USB A-F DA PANNELLO	CABLE USB EXTENSION
9	4-137596	CAVO 8X0.25 RJ45 L.2000mm	CABLE 8X0.25 RJ45 L.2000mm
10	5-129310	CASSETTA ELETTRICA	ELECTRIC BOX
11	5-106373A	CAVO ELETTRICO 4XAWG L. 2000 +FERRITI	CABLE USB EXTENSION (MONITOR)

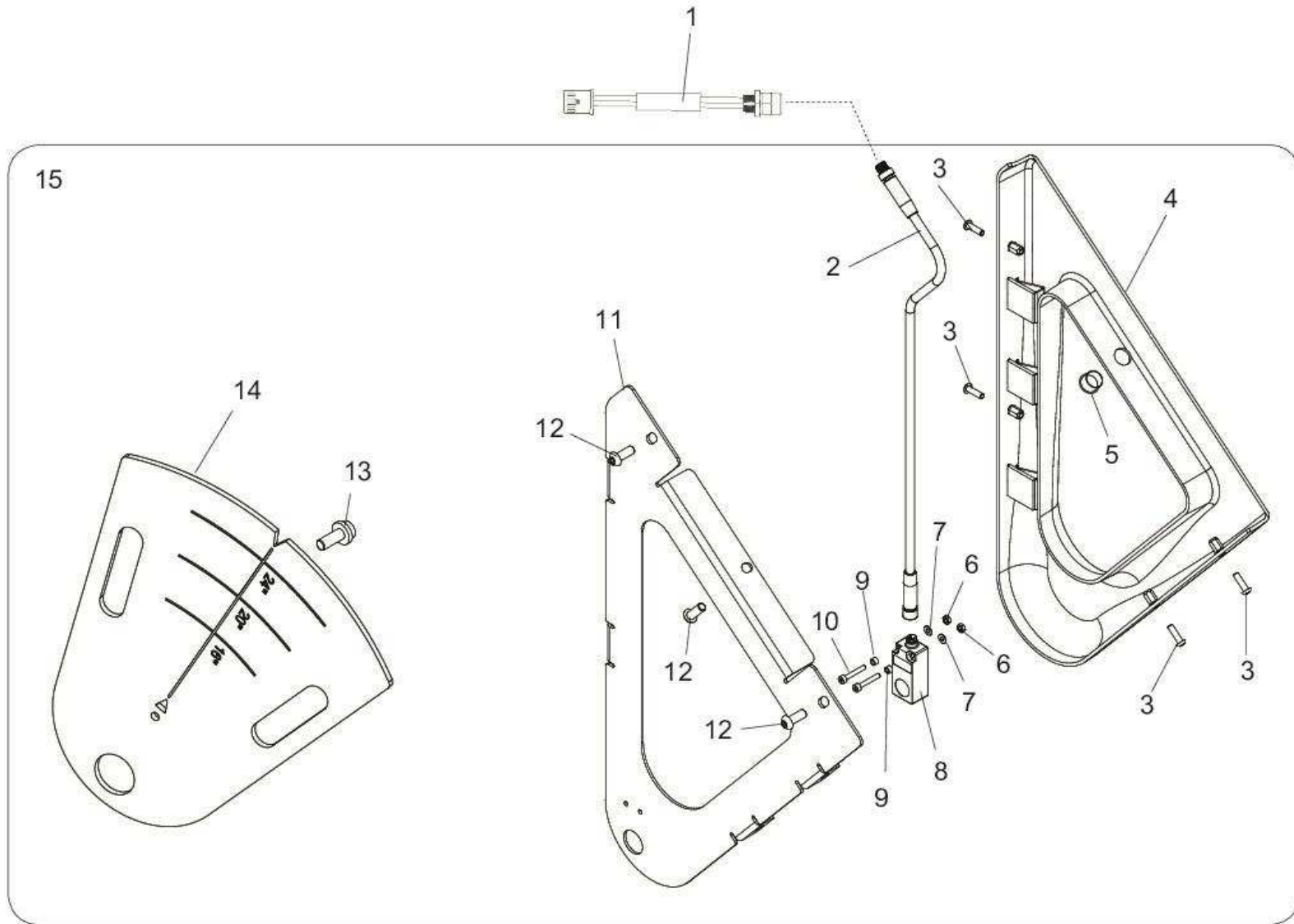
ELECTRICAL WIRING



Return to Overall

Rif. Ref.	Codice Code	Descrizione	Description
1	4-119606	FLAT 9 VIE L.250mm (MBU/MCM)	FLAT CABLE 9-WAY L.250mm (MBU/MCM)
2	4-122792	CAVO EL 4 X 0.35 L 1200 SONAR	CABLE 4 X 0.35 L 1200 SONAR
3	4-118394A	CAVO EL 3 X 0.35 MM2 1200 MODU II-F 4P / CIRC M8-F 4P GHIERA H=4	SONAR CABLE
4	4-132830	CAVO 2XAWG 22 L.400mm	CABLE 2XAWG 22 L.400mm
5	4-132831	CAVO ALIM. 6X0.22 L.510mm (MCM/ALIM.)	POWER CABLE 6X0.22 L.510mm (MCM/SUPPLY)
6	445483	CAVO	CABLE
7	245482	CAVO 1 x 1.5mm2 L 200 -G/V-	CABLE 1 x 1.5mm2 L 200 -G/V
8	3-05568	ALIMENTATORE 24 V 15 W	POWER SUPPLY 24V 15W
9	2-03014	RONDELLA EL DENT UNI 8842 J DI 3.2	TOOTHED WASHER UNI 8842 J DI 3.2
10	2-03398	VTCIC M3X4	SCREW M3X4
11	022800200	FASCETTA STRAPPO L 280 B 3.5 SP 1	BAND 280X3,5
12	422220	BASSETTA DI FISSAGGIO	FIXING BASE
13	4-117188A	FUNE OCCHIELLI D 1.2 x 385	CABLE ELECTRICAL BOX
14	446377	ADESIVO PUNTO DI MASSA	GROUND POINT ADHESIVE
15	425211A	ADESIVO PERICOLO TENSIONE	WARNING LABEL
16	446237	ADESIVO PE	PE STICKER
17	425083B	ADESIVO PUNTO DI MESSA A TERRA D 15	GROUND LABEL
18	455113	FASTON DOPPIO 6.3 X 0.8	DOUBLE FASTON 6.3X0.8
19	255717	CAVO UNIPOLARE GIALLO/VERDE	YELLOW/GREEN UNIPOLAR CABLE
20	237211	CAVO UNIPOLARE GIALLO/VERDE	YELLOW/GREEN UNIPOLAR CABLE
21	4-118217	CAVO UNIPOLARE NERO	BLACK UNIPOLAR CABLE
22	5-102761D	RICAMBIO SK ALIM.SWITCHING 500W100-230V	SK ALIM.SWITCHING 400W100-230V
23	2-02883	DADO AUTOBL.BASSO 7474 M4	SELF-LOCKING LOW NUT M4
24	2-03363	ROSETTA D.4	WASHER D.4
25	449005	DISTANZIALE M4 H 12	SPACER M4 H 12
26	2-80128	VITE TSPEI M6X16	SCREW M4X10
27	5-129554	SK EQU PTR	SK EQU PTR
28	5-102685	SCHEDA MOTORI	MCM MOTOR CONTROL BOARD
29	2-80099	VTCEI M4X18	CIRCULAR SOCKET HEAD SCREW M4X18
30	5-125344B	RICAMBIO SK MBUIX6 EM9780 PL	SK CPU MBUIX6-N
31	4-118395	SK FILTRO LC	LC FILTER

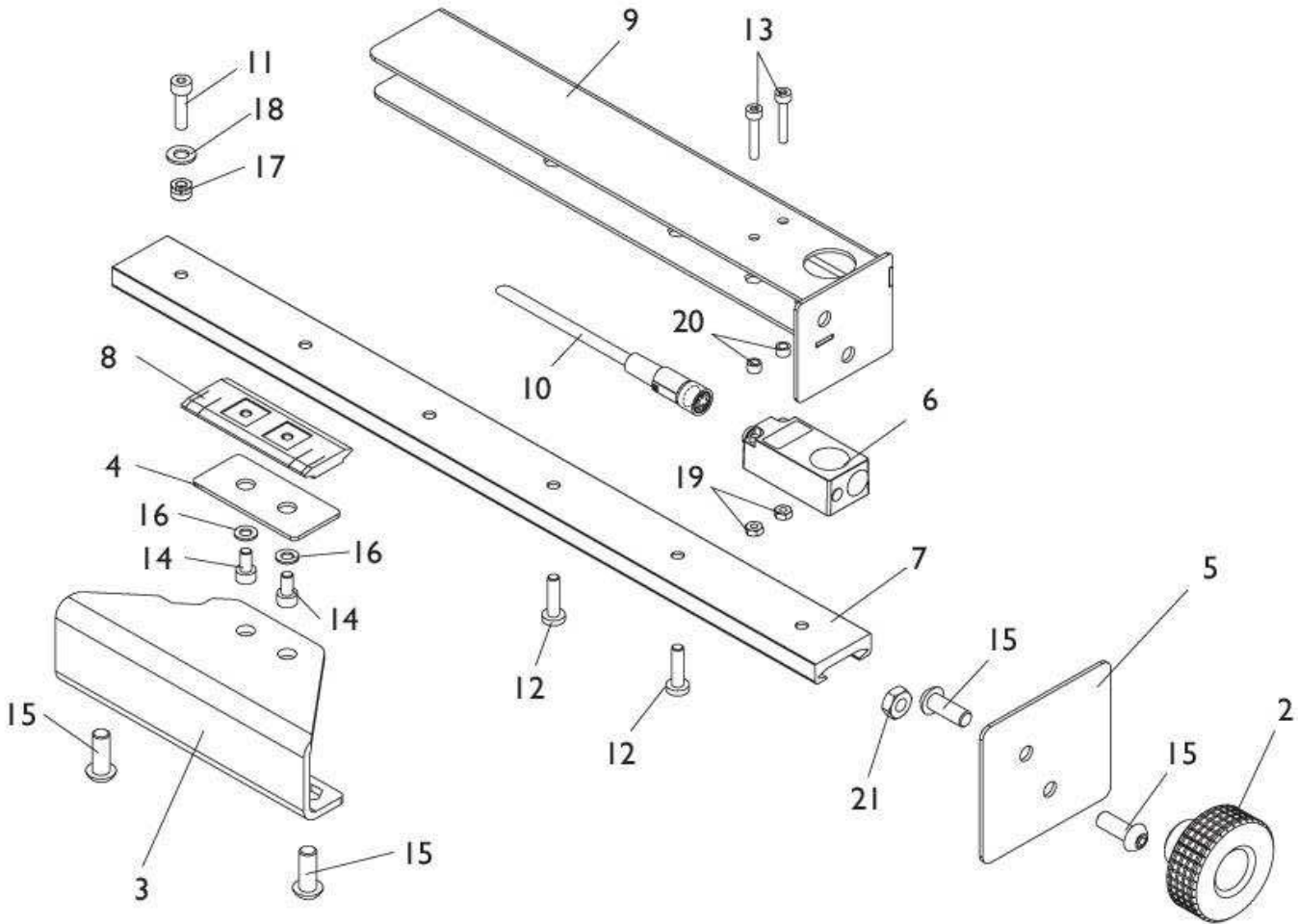
SONAR GROUP



Return to Overall

Rif. Ref.	Codice Code	Descrizione	Description
1	4-118394A	CAVO EL 3 X 0.35 MM2 1200 MODU II-F 4P / CIRC M8-F 4P GHIERA H=4	SONAR CABLE
2	4-118134	CAVO 4X0,35 M8 M-F	CABLE 4X0,35 M8
3	2-03494	VTBEI M4X14	ROUNDED HEAD SCREW SOCKET M4X14
4	4-117868	CARTER SENSORE	SENSOR COVER
5	435957	TAPPO A SCATTO D.12,7	CAP D.12,7
6	2-71510	DADO ES.N. M3	NORMAL HEXAGON NUT M3
7	2-00208	RONDELLA D.3	WASHER FOR HEX CAP SCREW M3
8	5-128386	SONAR	SONAR
9	3-02948	DISTANZIALE D.3,2X4,8X3,2	SPACER D.3.2X4.8X3.2
10	2-01150	VTCEI M3X20	CIRCULAR SOCKET HEAD SCREW M3X20
11	5-120478	LAMIERA SUPPORTO SENSORE	SENSOR SUPPORT
12	2-02155	VITE TBEI ISO 7380-1 BR M6 X 16	SOCKET BUTTON HEAD SCREW M6X16
13	457693	VTCEI CON COLLARE M8X20	CIRCULAR SOCKET HEAD SCREW M8X20
14	4-151422/00	CALIBRATORE	CALIBRATOR
15	5-127756/00	GRUPPO SONAR	SONAR GROUP

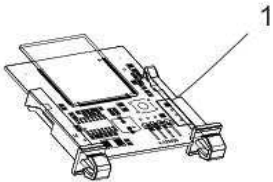
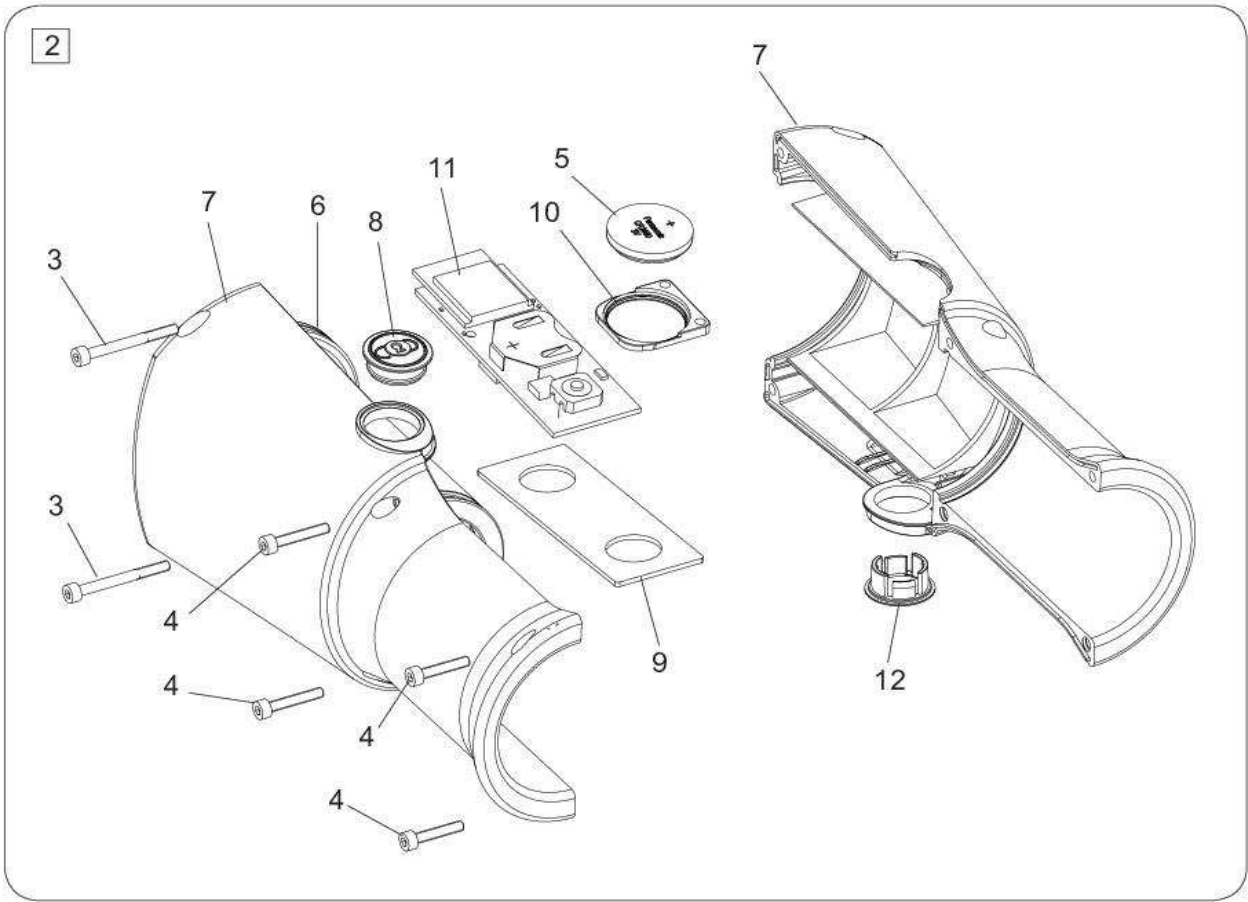
RUNOUT SONAR DETECTOR



Return to Overall

Rif. Ref.	Codice Code	Descrizione	Description
2	3-03652	MANOPOLA	HANDLE
3	5-124224	RICAMBIO STAFFA SAGOMATA A 90° PER GUIDA IGUS NSV-01-27	BRACKET 90
4	4-123413	DISTANZIALE D.6,5X23X1,5	SPACER D.6,5X23X1,5
5	4-123416	PIASTRA D.60X56	PLATE D.60X56
6	5-108466	SENSORE	SENSOR
7	4-123419	GUIDA L.340 mm	GUIDE L.340 mm
8	4-123420	PATTINO	SLIDE
9	5-124225/00	RICAMBIO STAFFA SUPPORTO SONAR UNDK 20U6903/S35A	SONAR BRACKET
10	5-108241	CAVO L.2000mm (SONAR RUNOUT)	CABLE 4X0,25 L.2000mm (SONAR RUNOUT)
11	2-00290	VITE TCEI M4x16	SOCKET HEAD CAP SCREW M4X16
12	2-00606	VTCEI M4X16	SCREW M4X16
13	2-01240	VTCEI M3X18	HEXAGON SOCKET HEAD SCREW M3X18
14	2-01965	VTCEI M4X8	HEXAGON SOCKET HEAD SCREW M4X8
15	2-02155	VITE TBEI ISO 7380-1 BR M6 X 16	SOCKET BUTTON HEAD SCREW M6X16
16	2-02851	RONDELLA D.4	WASHER D.4
17	2-02883	DADO AUTOBL.BASSO 7474 M4	SELF-LOCKING LOW NUT M4
18	2-02966	WASHER D. 5	RONDELLA D.5 ALLUMINIO
19	2-71510	DADO ES.N. M3	NORMAL HEXAGON NUT M3
20	3-02948	DISTANZIALE D.3,2X4,8X3,2	SPACER D.3.2X4.8X3.2
21	2-00167	DADO ESAGONALE BASSO M6	LOW NUT M6

WINUT GROUP



[Return to Overall](#)

Rif. Ref.	Codice Code	Descrizione	Description
1	4-133439	SK RICEVITORE RX	P.C. BOARD RX
2	5-108002	MANICOTTO DI BLOCCAGGIO	LOCKING COUPLING ASSEMBLY
3	2-01145	VTCEI 1/2F M3X30	HEX. SOCKET HEAD SCREW 1/2F M3X30
4	2-01240	VTCEI M3X18	HEXAGON SOCKET HEAD SCREW M3X18
5	3-10237	BATTERIA LI-ON 3V 610 mAh CR2450	BATTERY LI-ON 3V 610 mAh CR2450
6	4-121133	CANOTTO BLOCCAGGIO RUOTA	WHEEL LOCKING
7	4-119365A	PROTEZIONE MANICOTTO WINUT	CARTER
8	4-119366	PULSANTE CIRCOLARE ROSSO	RED CIRCULAR BUTTON
9	4-119372A	PIASTRA CONTRAPPESO A 78 B 29 22 GRAMMI	PLATE
10	4-119373	SUPPORTO BATTERIA	BATTERY SUPPORT
11	4-133438B	SK PULSANTE-BATTERIA-MODULO TX WINUT	P.C. BOARD TX
12	4-133984	TAPPO SPECIALE	SPECIAL CAP