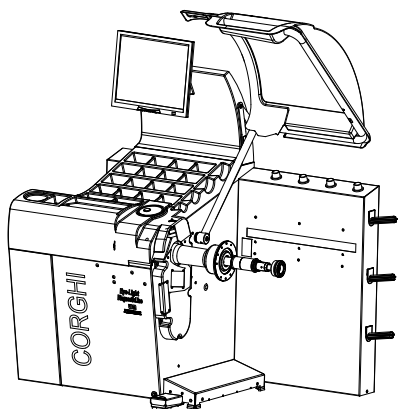


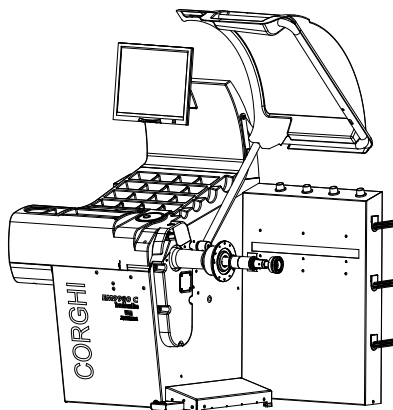
EYE-LIGHT - EM9980 - EM9580 - EM9550

Pezzi di ricambio / Spare parts list

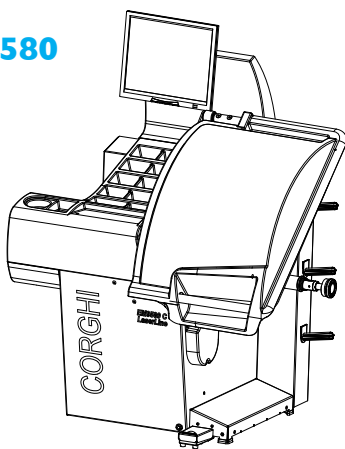
EYE-LIGHT



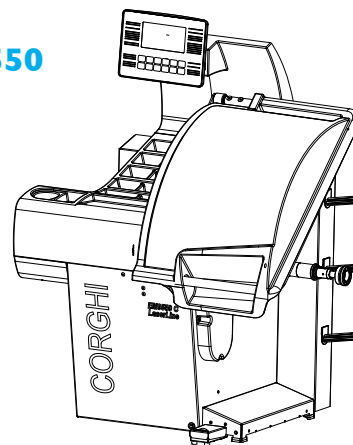
EM9980



EM9580



EM9550



Code: 4-117243E

Production date: 02 / 2015



I

Sul presente documento sono stati evidenziati con colore grigio i ricambi consigliati e indicati in grassetto i codici che sono variati rispetto a quelli riportati nella precedente versione del 01/15

EN

In this document, the recommended spare parts have been highlighted in gray, while in bold you find those codes which are different if compared with the previous version dated 01/15

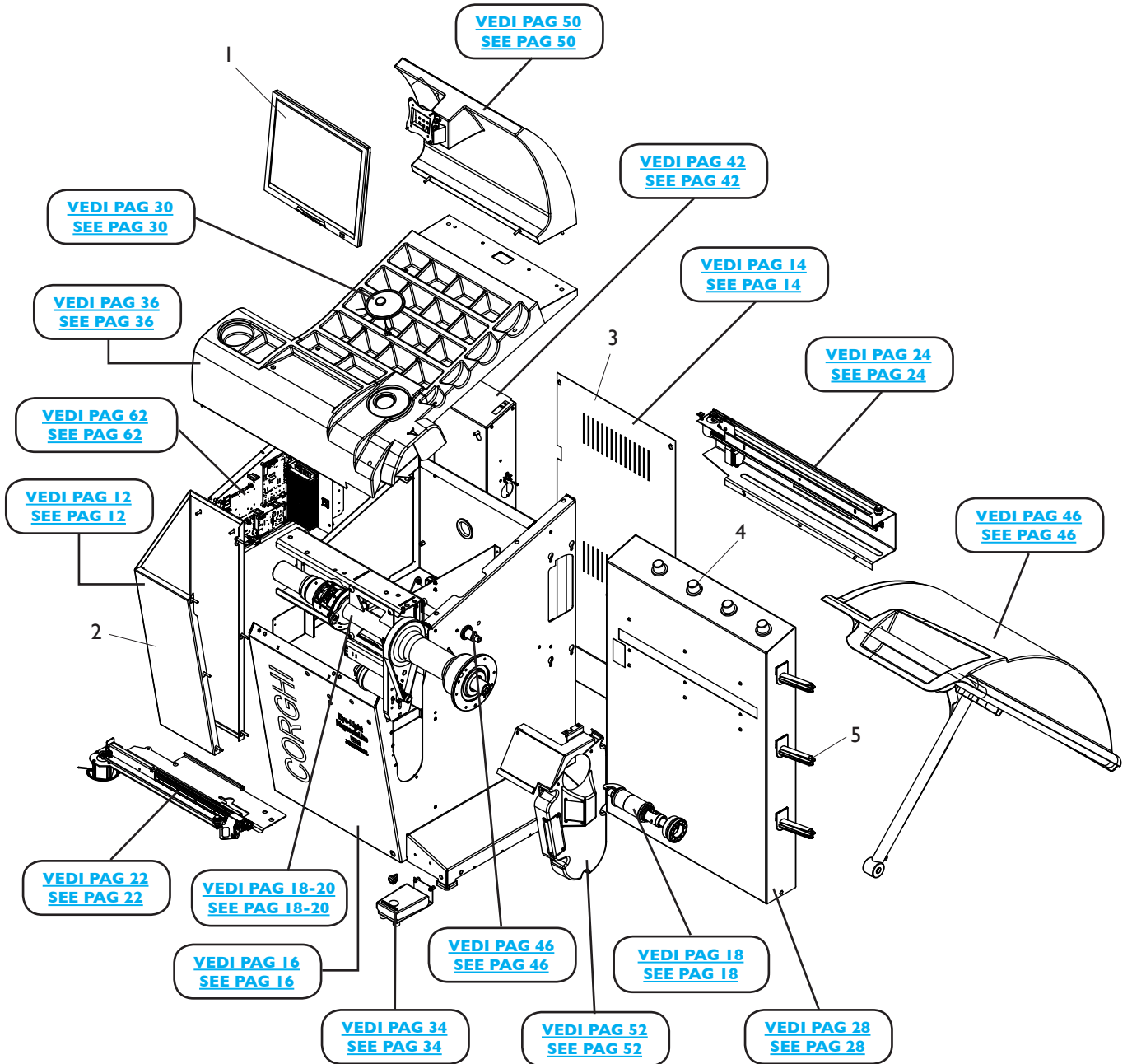
DE

Im vorliegenden Dokument wurden die empfohlenen Ersatzteile in grauer Farbe hervorgehoben; die Teilenummern in Fettdruck haben sich beziehend auf die vorherige Version vom 01/15 geändert.

FR

Dans ce document, les pièces de rechange préconisées sont soulignées en gris, tandis que les références différentes par rapport à la version précédente du 01/15 sont en gras

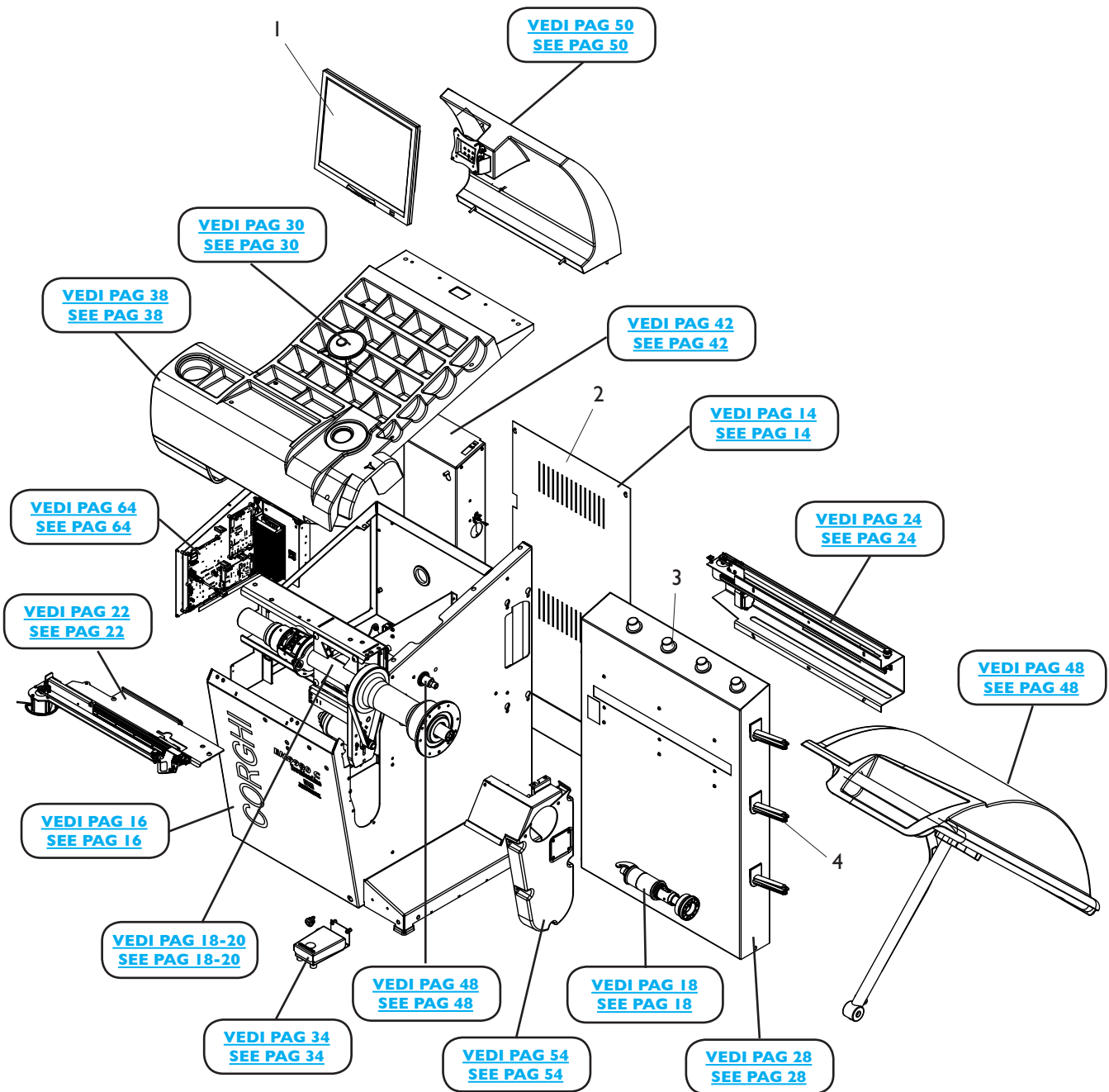
COMPLESSIVO EYE-LIGHT EYE-LIGHT OVERALL



Rif. Ref.	Codice Code	Descrizione	Description
1	4-118435	MONITOR LCD TOUCHSCREEN	TOUCHSCREEN LCD MONITOR
2	4-118473/90	COLONNA PORTAPESI SX	WEIGHT HOLDER LEFT COLUMN
3	4-117364/90	PANNELLO CHIUSURA POSTERIORE	REAR LOCKING PANEL
4	441224	PORTACONO AD INCASTRO	CONE HOLDER INTERLOCKING
5	438319	PORTAFLANGIA A SLITTA	SLIDING HOLDER FLANGE

COMPLESSIVO EM9980

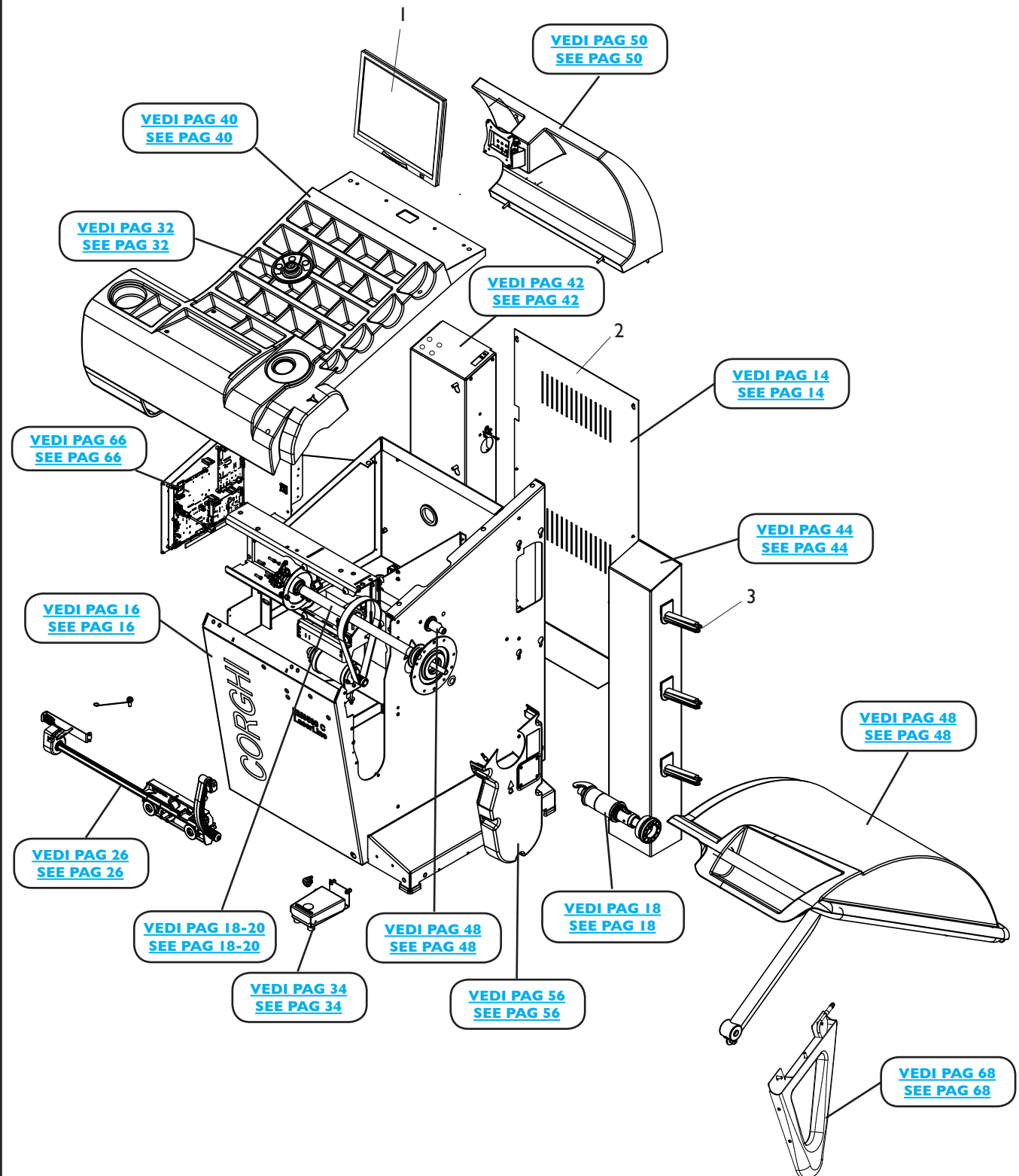
EM9980 OVERALL



Rif. Ref.	Codice Code	Descrizione	Description
1	4-118435	MONITOR LCD TOUCHSCREEN	TOUCHSCREEN LCD MONITOR
2	4-117364/16	PANNELLO CHIUSURA POSTERIORE	REAR LOCKING PANEL
3	441224	PORTACONO AD INCASTRO	CONE HOLDER INTERLOCKING
4	438319	PORTAFLANGIA A SLITTA	SLIDING HOLDER FLANGE

COMPLESSIVO EM9580

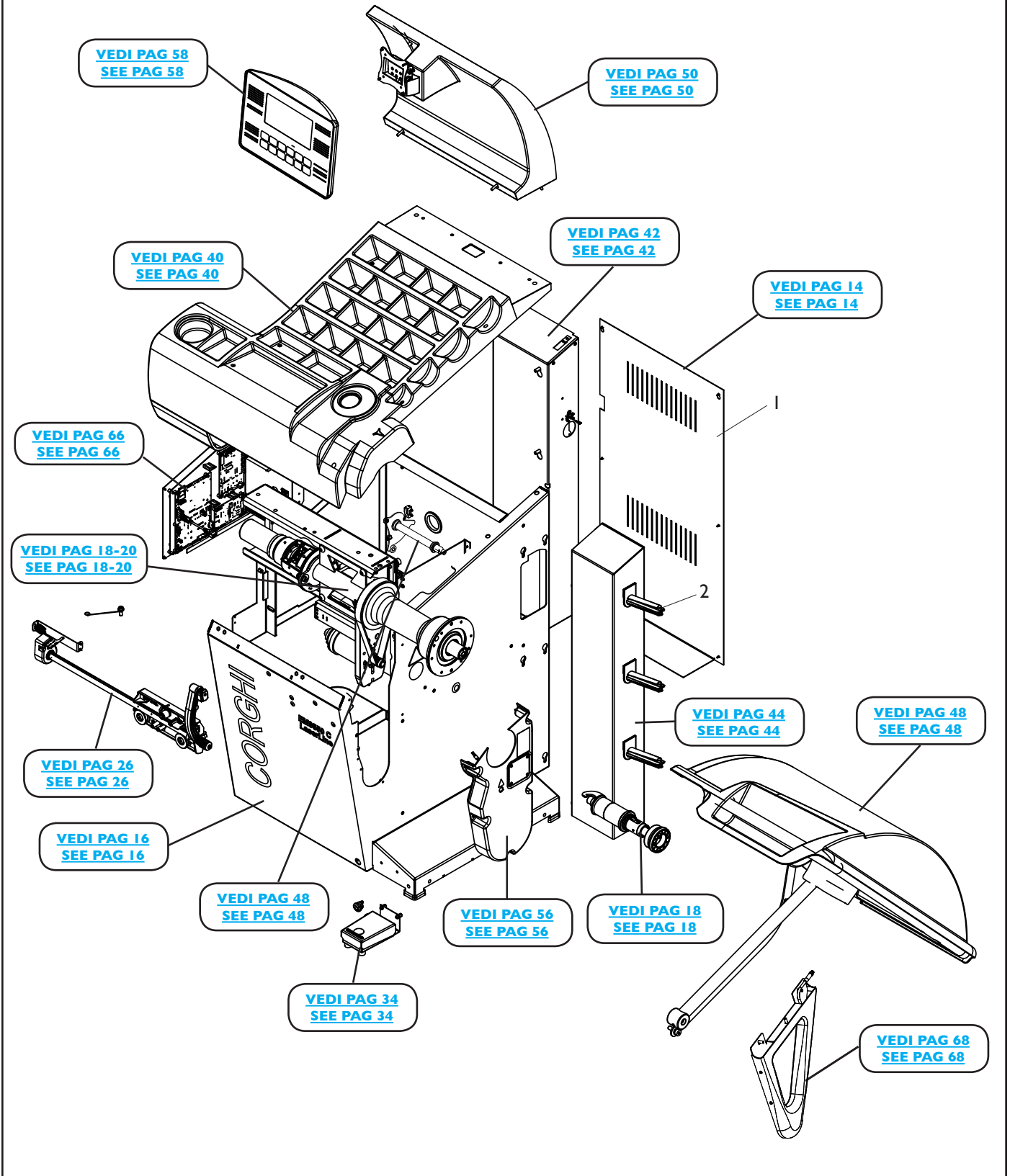
EM9580 OVERALL



Rif. Ref.	Codice Code	Descrizione	Description
1	3-00673	MONITOR 22" LCD/LED WIDE	LCD MONITOR 22"
2	4-117364/16	PANNELLO CHIUSURA POSTERIORE	REAR LOCKING PANEL
3	438319	PORTAFLANGIA A SLITTA	SLIDING HOLDER FLANGE

COMPRESSIVO EM9550

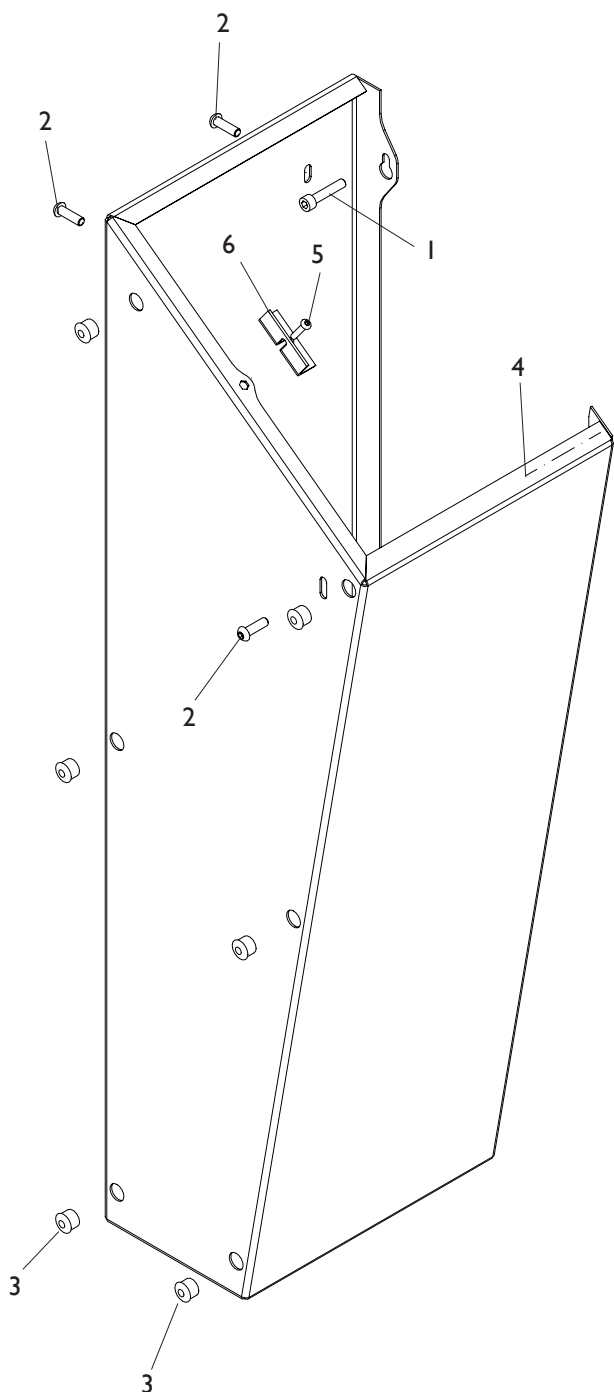
EM9550 OVERALL



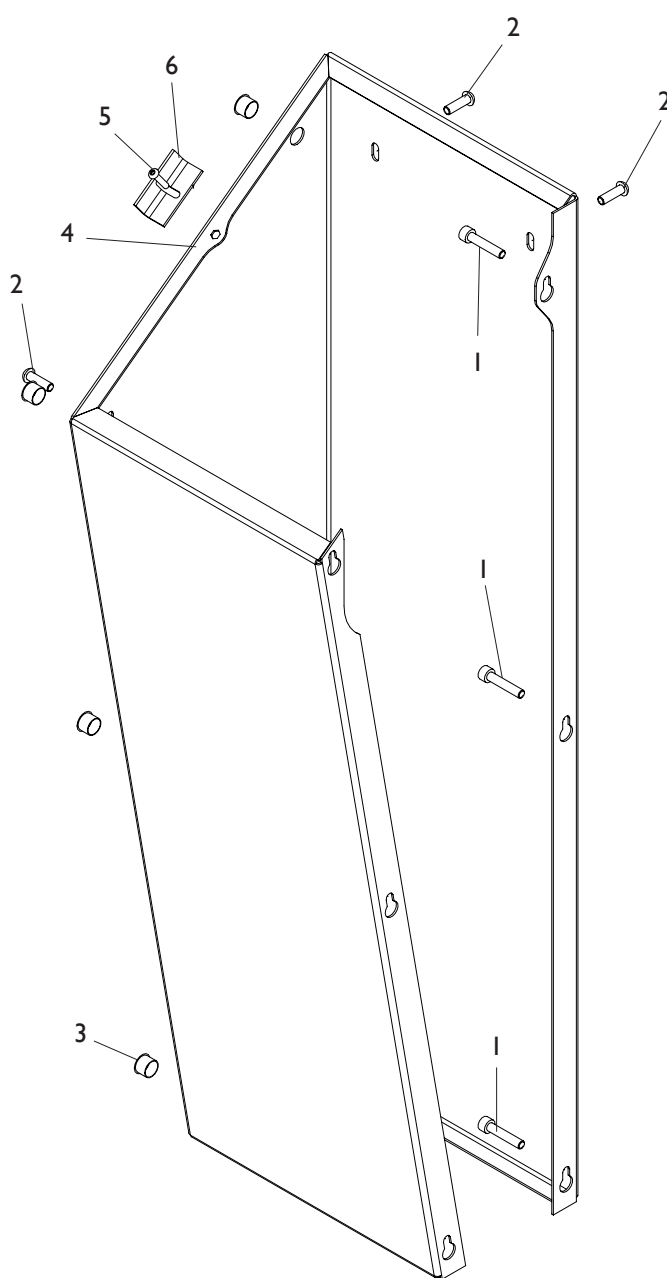
Rif. Ref.	Codice Code	Descrizione	Description
1	4-117364/16	PANNELLO CHIUSURA POSTERIORE	REAR LOCKING PANEL
2	438319	PORTAFLANGIA A SLITTA	SLIDING HOLDER FLANGE

COLONNA PORTAPESI SX EYE-LIGHT EYE-LIGHT WEIGHT HOLDER LEFT COLUMN

VISTA LATERALE
SIDE VIEW



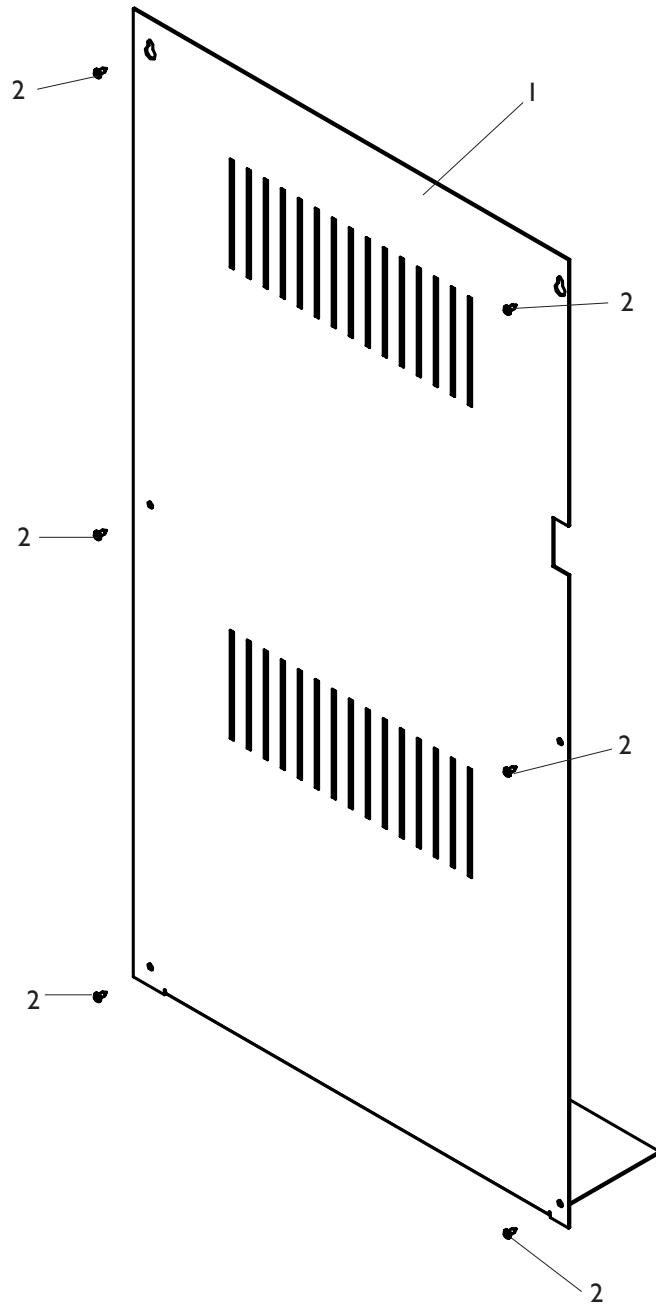
VISTA ANTERIORE
FRONT VIEW



[TORNA AL COMPLESSIVO](#)
[RETURNS TO OVERALL](#)

Rif. Ref.	Codice Code	Descrizione	Description
1	2-00863	VTCEI M6X30	CIRCULAR SOCKET HEAD SCREW M6X30
2	2-02147	VTBEI M6X30	ROUNDED HEAD SCREW SOCKET M6X30
3	435957	TAPPO NERO D.12,7 SP3,2	CAP BLACK D.12,7 SP3,2
4	4-118473/90	COLONNA PORTAPESI SX	WEIGHT HOLDER LEFT COLUMN
5	2-02164	VTBEI M4X20	ROUNDED HEAD SCREW SOCKET M4X20
6	4-130639	STAFFA POSIZ.COPERCHIO PORTAPESI	PLATE

PANNELLO POSTERIORE REAR PANEL

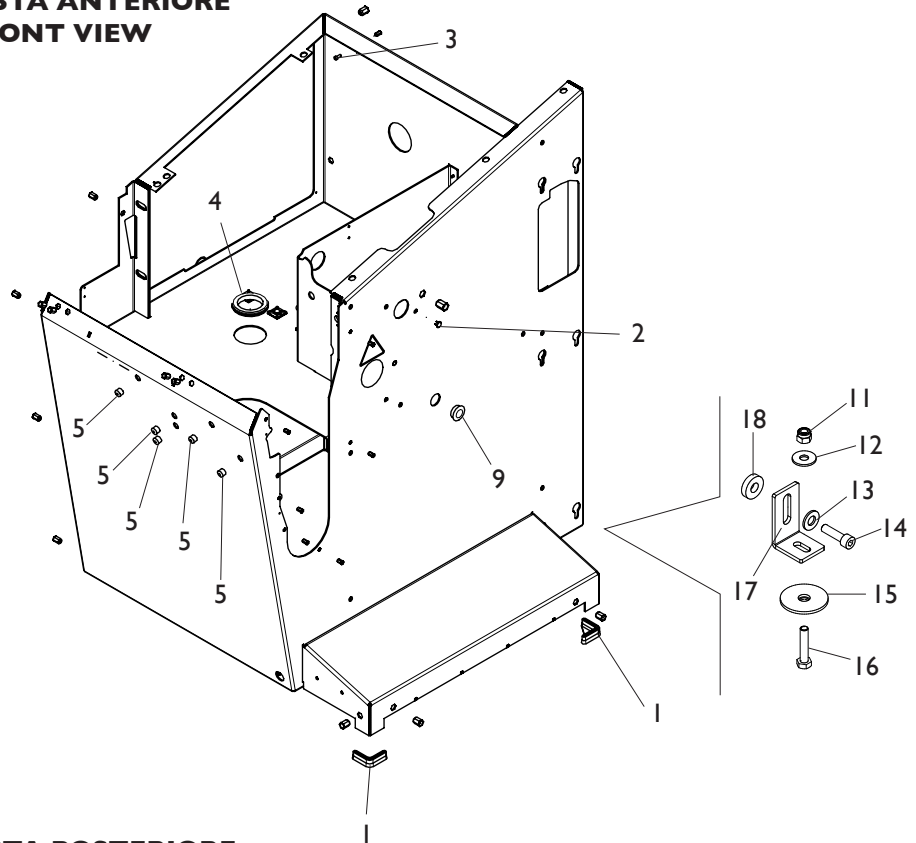


[TORNA AL COMPLESSIVO](#)
[RETURNS TO OVERALL](#)

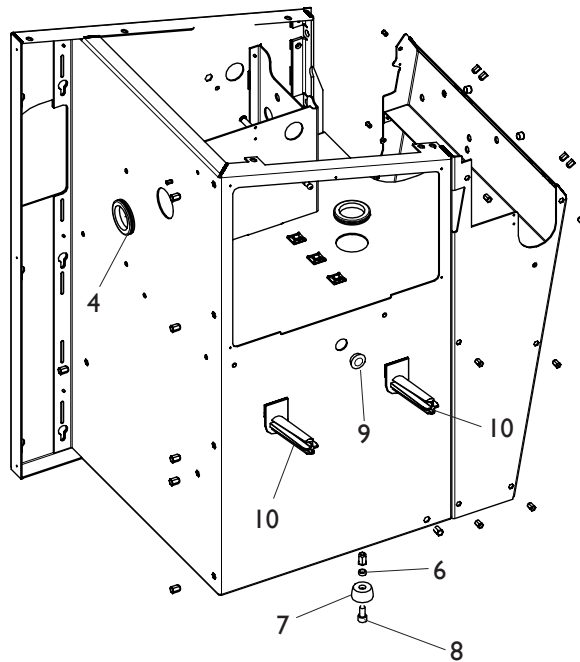
Rif. Ref.	Codice Code	Descrizione	Description
1	4-117364/90	PANNELLO CHIUSURA POST. EYE-LIGHT	REAR LOCKING PANEL EYE-LIGHT
1	4-117364/16	PANNELLO CHIUS. POST. EM9980-M9580-9550	REAR LOCKING PANEL EM9980-M9580-9550
2	2-80171	VATBIC D.3,9X9,5	ROUNDED HEAD SCREW TAPPING CROSS CUT D.3,9X9,5

CASSONE BODY

VISTA ANTERIORE
FRONT VIEW



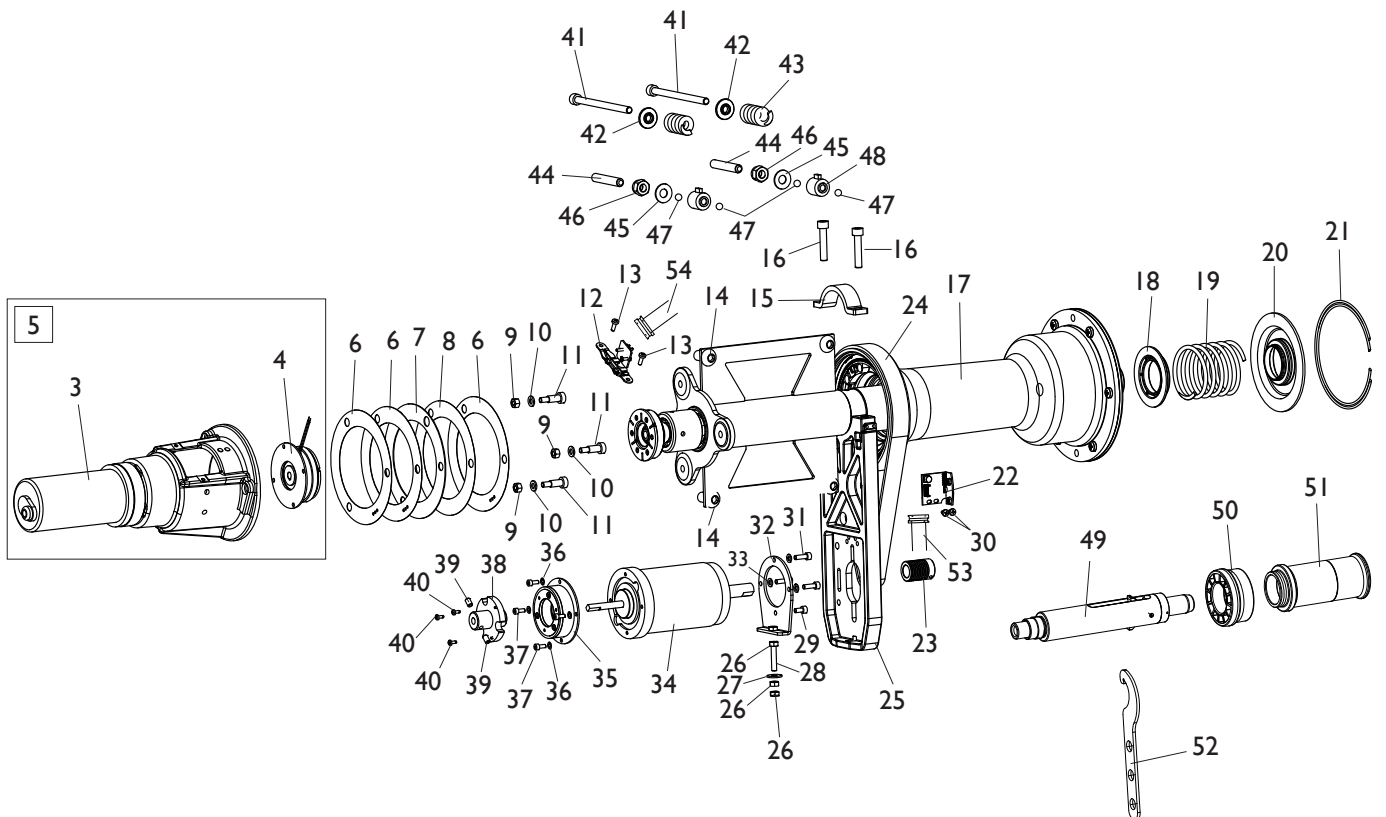
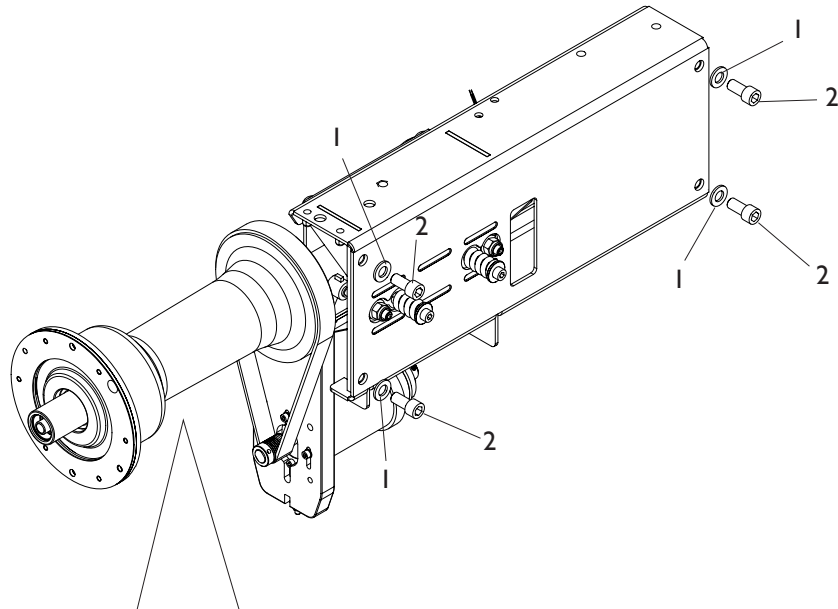
VISTA POSTERIORE
REAR VIEW



[TORNA AL COMPLESSIVO](#)
[RETURNS TO OVERALL](#)

Rif. Ref.	Codice Code	Descrizione	Description
1	4-117130	PIEDE D.35X35	FOOT D.35X35
2	3-02956	TAPPO IN PLASTICA NERO D.8	PLASTIC BLACK CAP D.8
3	2-02080	VTCEI M4X10	CIRCULAR SOCKET HEAD SCREW M4X10
4	460314	PASSACAVO ROTONDO D.48X60X2,5	PASSACAVO ROUND
5	435957	TAPPO NERO D.12,7 SP3,2	BLACK CAP D.12,7 SP3,2
6	360095	DISTANZIALE PIEDE	FOOT SPACER
7	460029	PIEDE	FOOT
8	2-01985	VTCEI M10X20	CIRCULAR SOCKET HEAD SCREW M10X20
9	456193	TAPPO NERO D.25,4 SP4,4	BLACK CAP D.25,4 SP4,4
10	438319	PORTAFLANGIA A SLITTA	SLIDING HOLDER FLANGE
11	2-01020	DADO ES.N.A. M8	NORMAL AUTOLOCKING HEX NUT M8
12	2-01299	ROSETTA D.9X24X2	WASHER D.9X24X2
13	2-00213	RONDELLA D.10	WASHER D.10
14	2-80017	VTCEI M10X30	CIRCULAR SOCKET HEAD SCREW M10X30
15	441631	RONDELLA D.48X13X3	WASHER D.48X13X3
16	2-00376	VTE M8X40	HEXAGON HEAD SCREW M8X40
17	4-110010	STAFFA FISSAGGIO A TERRA	BRACKET
18	4-110031	RONDELLA IN NYLON D.10,5X25X6	NYLON WASHER D.10,5X25X6

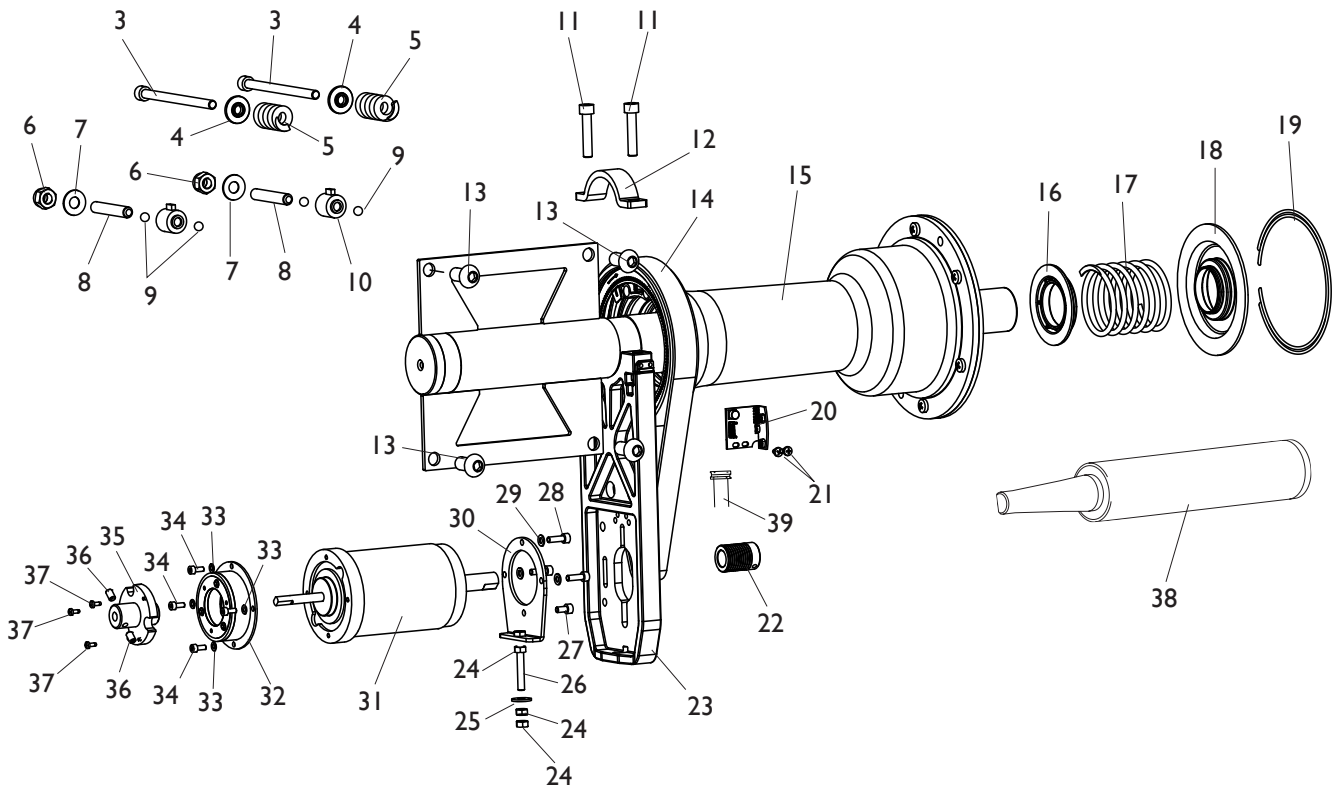
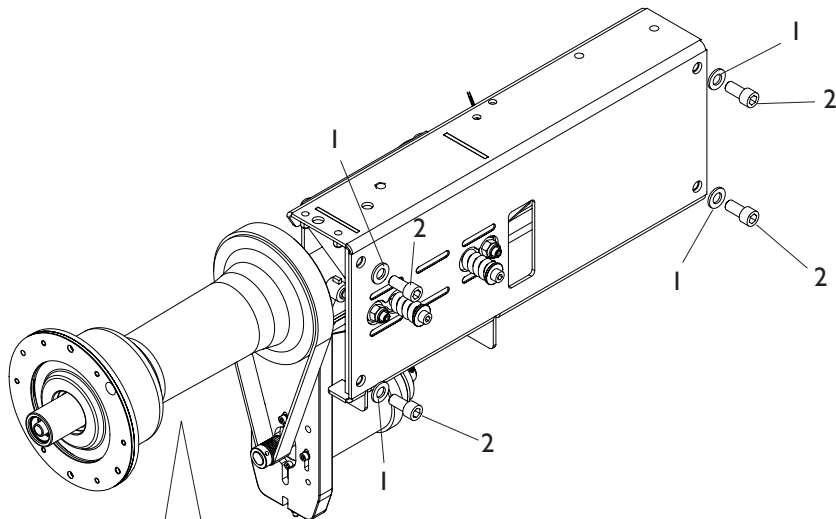
GRUPPO OSCILLANTE C OSCILLATING GROUP C



**TORNA AL COMPLESSIVO
RETURNS TO OVERALL**

Rif. Ref.	Codice Code	Descrizione	Description
1	2-00214	RONDELLA D.12	WASHER D.12
2	2-80164	VTCEI M12X25	CIRCULAR SOCKET HEAD SCREW M12X25
3	4-105403	MOTORIDUTTORE	MOTOR GEAR
4	5-101987	FRIZIONE	CLUTCH
5	5-103271	MOTORIDUTTORE CPL	COMPLETE MOTOR GEAR
6	4-105937	RONDELLA SPESSORAMENTO D.0,3	WASHER SHIMMING D.0,3
7	4-105936	RONDELLA SPESSORAMENTO D.1	WASHER SHIMMING D.1
8	4-113011	RONDELLA SPESSORAMENTO D.0,1	WASHER SHIMMING D.0,1
9	2-00111	DADO ES.A. M6	AUTOLOCKING HEXAGON NUT M6
10	2-00211	RONDELLA D.6	WASHER D.6
11	2-03091	VSTCCE 8X16 M6	SPECIAL SCREW 8X16 M6
12	5-101537	SCHEDA ENCODER REFLEX	REFLEX ENCODER BOARD
13	2-00609	VTCIC M4X12	HEAD SCREW CROSS CUT M4X12
14	2-03217	VTBEI M12X25	ROUNDED HEAD SCREW SOCKET M12X25
15	4-104591	FLANGIA SUPPORTO MOTORE	MOTOR SUPPORT FLANGE
16	2-02008	VTCEI 1/2F M8X40	CIRCULAR SOCKET HEAD SCREW 1/2F M8X40
17	5-120044	GRUPPO OSCILLANTE C	OSCILLATING GROUP C
18	4-104589	DISCO PORTA MOLLA D.40	DISC HOLDER SPRING D.40
19	4-104588	MOLLA D.4,8X66X121	SPRING D.4,8X66X121
20	4-104590	DISCO PREMI MOLLA D.40	DISC SPING COMPRESSOR D.40
21	4-101740	ANELLO D.127,5X2,5	RING D.127,5X2,5
22	5-120045	SCHEDA RICERCA	SEARCH P.C. BOARD
23	4-104599	PULEGGIA	PULLEY
24	3-01750	CINGHIA	BELT
25	4-107205	SUPPORTO MOTORE	MOTOR SUPPORT
26	2-00146	DADO ES.N. M6	NORMAL HEXAGON NUT M6
27	2-00679	ROSETTA D.6,6X18X1,5	WASHER D.6,6X18X1,5
28	2-03427	VTE M6X50	HEXAGON HEAD SCREW M6X50
29	2-00891	VTCEI M5X10	CIRCULAR SOCKET HEAD SCREW M5X10
30	2-03425	VATCCIC M4X6	SCREW TAPPING HEAD CUTTING CIRCULAR CROSS M4X6
31	2-03003	VTCEI M5X20	CIRCULAR SOCKET HEAD SCREW M5X20
32	4-104598	FLANGIA MOTORE	MOTOR FLANGE
33	2-71546	ROSETTA D.5	WASHER D.5
34	5-103007	MOTORE 48V	MOTOR 48V
35	5-104252	FRENO	BRAKE
36	2-71541	ROSETTA D.4	WASHER D.4
37	2-02080	VTCEI M4X10	CIRCULAR SOCKET HEAD SCREW M4X10
38	4-104596	MOZZO FRENO	HUB BRAKE
39	2-00672	VSTEI P.PA. M6X10	CSK SCREW SOCKET M6X10
40	2-02908	VATCCIC M3X8	SCREW TAPPING HEAD CUTTING CIRCULAR CROSS M3X8
41	2-03661	VTCEI M8X120	CIRCULAR SOCKET HEAD SCREW M8X120
42	4-104650	BOCCOLA POSTERIORE MOLLA PICK UP	BUSH REAR SPRING PICK UP
43	4-104652	MOLLA D.6X25X41	SPRING D.6X25X41
44	2-01887	VSTEI P.CP. M10X60	CSK SCREW SOCKET M10X60
45	424993	MOLLA D.10,2X23X1,25	SPRING D.10,2X23X1,25
46	2-01019	DADO ES.N.A. M10	NORMAL AUTOLOCKING HEXAGON NUT M10
47	2-00243	SFERA 5/16"	SPHERE 5/16"
48	5-103533	PICK-UP	PICK-UP
49	5-105864	MOZZO BLOCCAGGIO RUOTA	LOCKING WHEEL HUB
50	4-115864	DISTANZIALE RUOTA	WHEEL SPACER
51	5-105873	MANICOTTO BLOCCAGGIO RUOTA	COUPLING LOCKING WHEEL
52	4-117227	CHIAVE SPECIALE	SPECIAL KEY
53	449319	FLAT 8VIE L.1100mm	FLAT CABLE 8WAY L.1100mm
54	4-109587	FLAT 4VIE L.800mm	FLAT CABLE 4WAY L.800mm

GRUPPO OSCILLANTE OSCILLATING GROUP

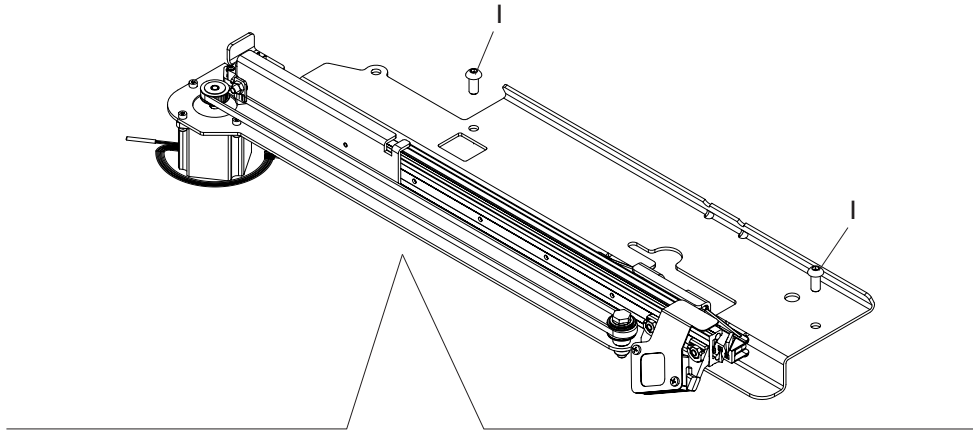


**TORNA AL COMPLESSIVO
RETURNS TO OVERALL**

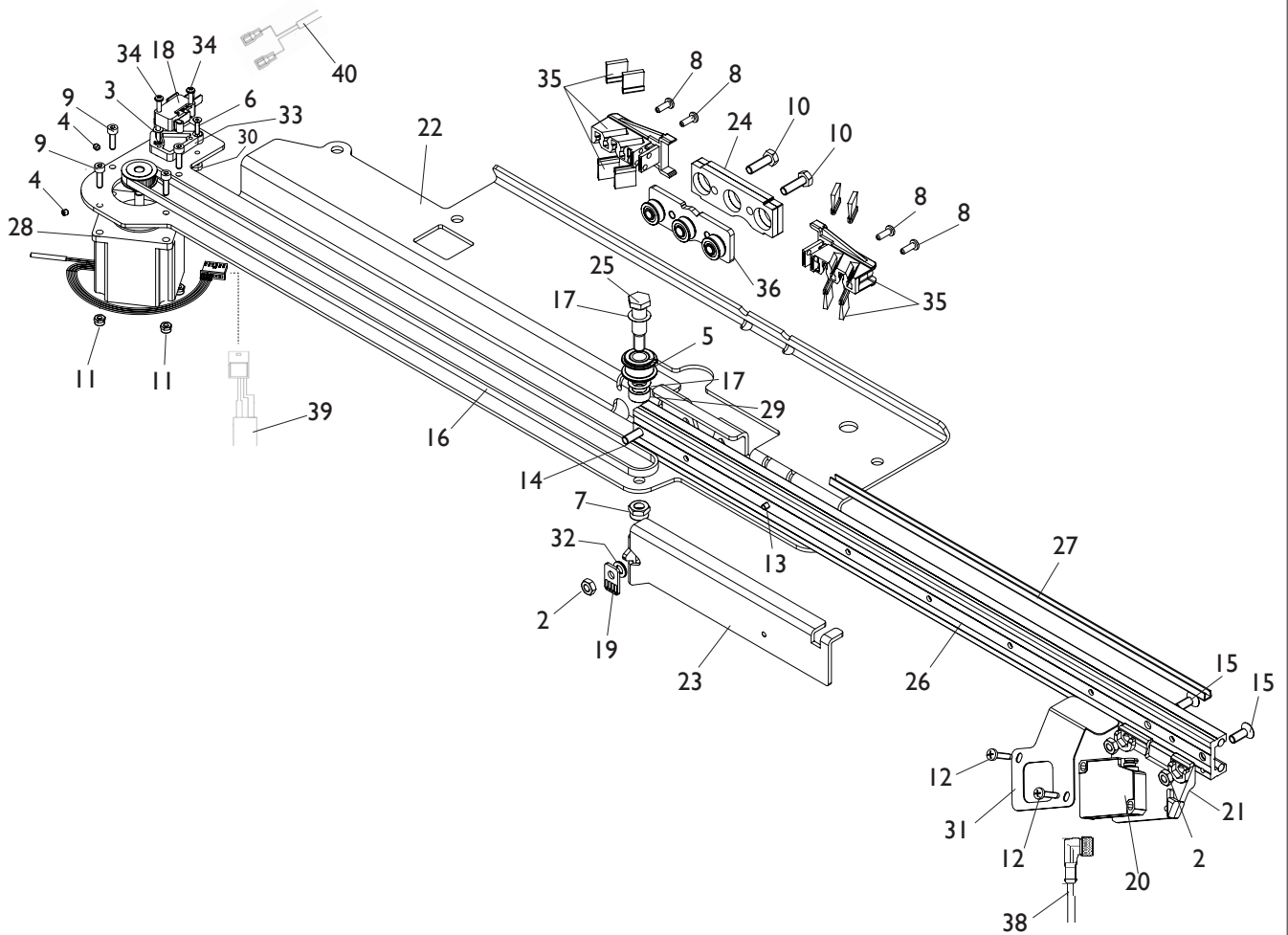
Rif. Ref.	Codice Code	Descrizione	Description
1	2-00214	RONDELLA D.12	WASHER D.12
2	2-80164	VITE TCEI M12X25	CIRCULAR SOCKET HEAD SCREW M12X25
3	2-03661	VTCEI M8X120	CIRCULAR SOCKET HEAD SCREW M8X120
4	4-104650	BOCCOLA POSTERIORE MOLLA PICK UP	BUSH REAR SPRING PICK UP
5	4-104652	MOLLA D.6X25X41	SPRING D.6X25X41
6	2-01019	DADO ES.N.A. M10	NORMAL AUTOLOCKING HEXAGON NUT M10
7	424993	MOLLA D.10,2X23X1,25	SPRING D.10,2X23X1,25
8	2-01887	VSTEI P.CP. M10X60	CSK SCREW SOCKET M10X60
9	2-00243	SFERA 5/16"	SPHERE 5/16"
10	5-103533	PICK-UP	PICK-UP
11	2-02008	VTCEI 1/2F M8X40	CIRCULAR SOCKET HEAD SCREW 1/2F M8X40
12	4-104591	FLANGIA SUPPORTO MOTORE	MOTOR SUPPORT FLANGE
13	2-03217	VTBEI M12X25	ROUNDED HEAD SCREW SOCKET M12X25
14	3-01750	CINGHIA	BELT
15	5-120046	GRUPPO OSCILLANTE	OSCILLATING GROUP
16	4-104589	DISCO PORTA MOLLA D.40	DISC HOLDER SPRING D.40
17	4-104588	MOLLA D.4,8X66X121	SPRING D.4,8X66X121
18	4-104590	DISCO PREMI MOLLA D.40	DISC SPING COMPRESSOR D.40
19	4-101740	ANELLO D.127,5X2,5	RING D.127,5X2,5
20	5-120045	SCHEDA RICERCA	SEARCH P.C. BOARD
21	2-03425	VATCCIC M4X6	SCREW TAPPING HEAD CUTTING CIRCULAR CROSS M4X6
22	4-104599	PULEGGIA	PULLEY
23	4-107205	SUPPORTO MOTORE	MOTOR SUPPORT
24	2-00146	DADO ES.N. M6	NORMAL HEXAGON NUT M6
25	2-00679	ROSETTA D.6,6X18X1,5	WASHER D.6,6X18X1,5
26	2-03427	VTE M6X50	HEXAGON HEAD SCREW M6X50
27	2-00891	VTCEI M5X10	CIRCULAR SOCKET HEAD SCREW M5X10
28	2-03003	VTCEI M5X20	CIRCULAR SOCKET HEAD SCREW M5X20
29	2-71546	ROSETTA D.5	WASHER D.5
30	4-104598	FLANGIA MOTORE	MOTOR FLANGE
31	5-103007	MOTORE 48V	MOTOR 48V
32	5-104252	FRENO	BRAKE
33	2-71541	ROSETTA D.4	WASHER D.4
34	2-02080	VTCEI M4X10	CIRCULAR SOCKET HEAD SCREW M4X10
35	4-104596	MOZZO FRENO	HUB BRAKE
36	2-00672	VSTEI P.PA. M6X10	CSK SCREW SOCKET M6X10
37	2-02908	VATCCIC M3X8	SCREW TAPPING HEAD CUTTING CIRCULAR CROSS M3X8
38	5-101514	MOZZO BLOCCAGGIO RUOTA	LOCKING WHEEL HUB
39	449319	FLAT 8 VIE L.1100mm	FLAT CABLE 8 WAY L.1100mm

RILEVATORE INTERNO LASER EYELIGHT-EM9980

EYELIGHT-EM9980 INTERNAL LASER DETECTOR



37



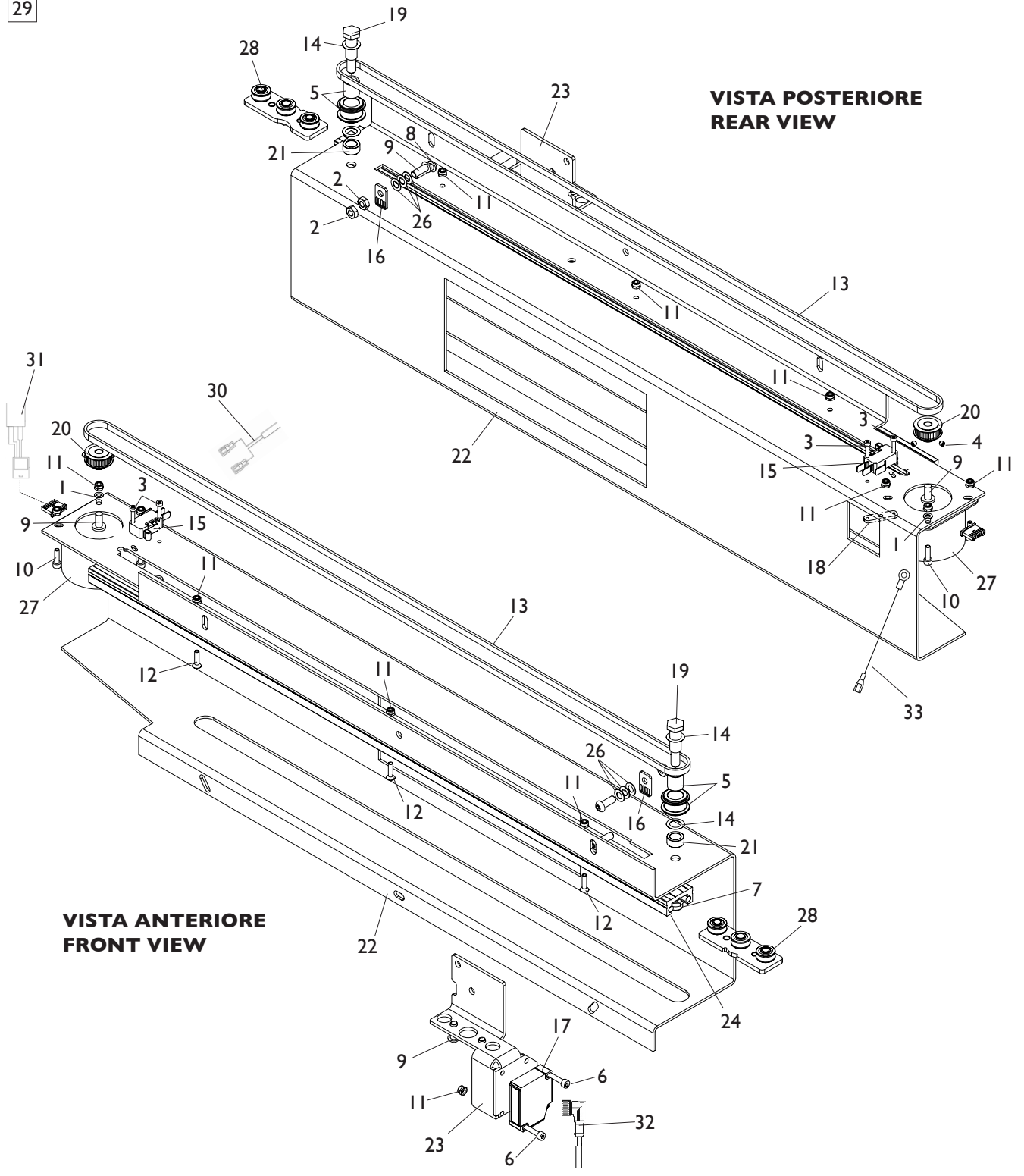
[TORNA AL COMPLESSIVO](#)
[RETURNS TO OVERALL](#)

Rif. Ref.	Codice Code	Descrizione	Description
1	2-02157	VTBEI M8X18	ROUNDED HEAD SCREW SOCKET M8X18
2	2-00167	DADO ES. B. M6	LOW HEXAGON NUT M6
3	2-00208	RONDELLA D.3	WASHER D.3
4	2-00537	VTSCE M4X4	CIRCULAR HEHXAGONAL SCREW CSK M4X4
5	5-103053	ASTUCCIO + PULEGGIA	BOX WITH PULLEY
6	2-00924	VTSPEI M3X12	CSK FLAT HEAD SCREW SOCKET M3X12
7	2-01137	DADO ES.B.A. M8	LOW AUTOLOCKING HEXAGON NUT M8
8	2-02095	VTCCIC M.4X12	HEAD SCREW CROSS CUTTING CIRCULAR CONE M4X12
9	2-02260	VTCEI M4X14	CIRCULAR SOCKET HEAD SCREW M4X14
10	2-02339	VTE M6X20	HEXAGON HEAD SCREW M6X20
11	2-02883	DADO ES.B.A. M4	LOW AUTOLOCKING HEXAGON NUT M4
12	2-03102	VTCCIC M4X20	HEAD SCREW CROSS CUTTING CIRCULAR CONE M4X20
13	2-72205	VTSPEI M6X20	CSK FLAT HEAD SCREW SOCKET M6X20
14	2-80129	VTSPEI M4X8	CSK FLAT HEAD SCREW SOCKET M4X8
15	2-80134	VTSPEI M6X16	CSK FLAT HEAD SCREW SOCKET M6X16
16	3-00689	CINGHIA	BELT
17	314589	RONDELLA D.10,25X16X0,2	WASHER D.10,25X16X0,2
18	4-102043	MICROINTERRUTTORE	MICROSWITCH
19	4-107120	PIASTRA FISSAGGIO CINGHIA	BELT PLATE
20	4-107134	SENSORE LASER	LASER SENSOR
21	4-108198	SUPPORTO LASER ANTERIORE	FRONT LASER SUPPORT
22	4-111360	SUPPORTO RILEVATORE	DETECTOR SUPPORT
23	4-111365	DISTANZIALE CINGHIA	BELT SPACER
24	4-112489	PIASTRA CARRELLO 5mm	PLATE CART 5mm
25	4-112495	PERNO ECCENTRICO D.10 M8	ECCENTRIC PIN D.10 M8
26	4-112496	GUIDA RILEVATORE ANTERIORE	FRONT DETECTOR GUIDE
27	4-112497	CANALINA PER CAVI	CABLE TRUNKING
28	5-103745	MOTORE + PULEGGIA	MOTOR WITH PULLEY
29	4-112504	DISTANZIALE D.10X15X6,5	SPACER D.10X15X6,5
30	4-113353	PIASTRINA REGOLAZIONE MICRO	MICRO ADJUSTMENT PLATE
31	4-113636	COVER LASER	LASER COVER
32	414384	RONDELLA D.6X12X0,5	WASHER D.6X12X0,5
33	435898	SUPPORTO MICRO	MICRO SUPPORT
34	457023	VATBIC M.3X14	ROUNDED HEAD SCREW TAPPING CROSS CUT M3X14
35	5-103880	TERGI GUIDA	BLADE GUIDE
36	5-103881	CARRELLO	TROLLEY
37	5-103579	RILEVATORE INTERNO LASER	INTERNAL LASER DETECTOR
38	5-102440	CAVO SENSORE LASER	LASER SENSOR CABLE
39	4-118216	CAVO 4X0,22 6P L.650mm	CABLE 4X0,22 6P L.650mm
40	4-118109	CAVO 2P L.1400mm	CABLE 2P L.1400mm

RILEVATORE POSTERIORE EYELIGHT-EM9980

EYELIGHT-EM9980 REAR DETECTOR

29



**VISTA POSTERIORE
REAR VIEW**

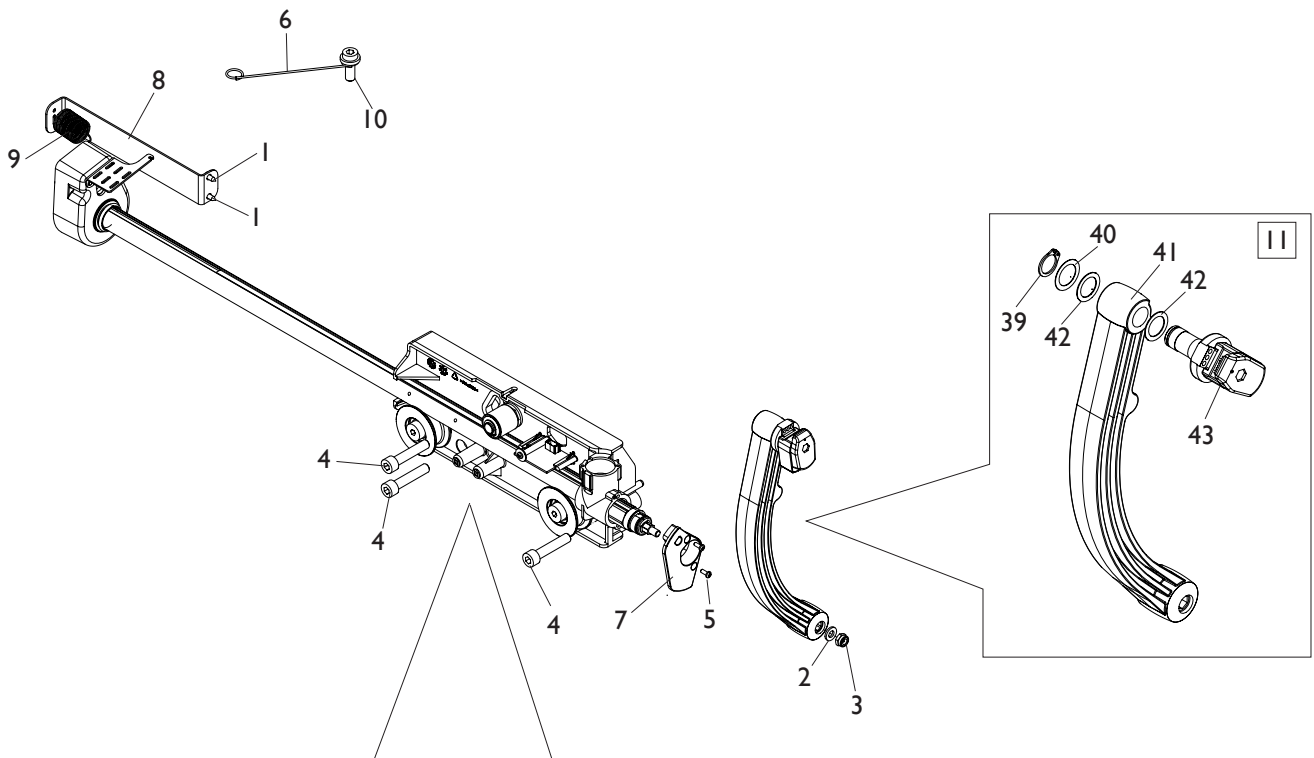
**VISTA ANTERIORE
FRONT VIEW**

[TORNA AL COMPLESSIVO](#)
[RETURNS TO OVERALL](#)

Rif. Ref.	Codice Code	Descrizione	Description
1	2-94059	ROSETTA D.4	WASHER D.4
2	2-00167	DADO ES. B. M6	LOW HEXAGON NUT M6
3	2-00288	VTCEI M3X16	CIRCULAR SOCKET HEAD SCREW M3X16
4	2-00537	VTSCE M4X4	CIRCULAR HEHXAGONAL SCREW CSK M4X4
5	5-103053	ASTUCCIO + PULEGGIA	BOX WITH PULLEY
6	2-00911	VTCEI M4X25	CIRCULAR SOCKET HEAD SCREW M4X25
7	2-01137	DADO ES.B.A. M8	LOW AUTOLOCKING HEXAGON NUT M8
8	2-02147	VTBEI M6X20	ROUNDED HEAD SCREW SOCKET M6X20
9	2-02155	VTBEI M6X16	ROUNDED HEAD SCREW SOCKET M6X16
10	2-02260	VTCEI M4X14	CIRCULAR SOCKET HEAD SCREW M4X14
11	2-02883	DADO ES.B.A. M4	LOW AUTOLOCKING HEXAGON NUT M4
12	2-02928	VTSPEI M4X16	CSK FLAT HEAD SCREW SOCKET M4X16
13	3-80139	CINGHIA	BELT
14	314589	RONDELLA D.10,25X16X0,2	WASHER D.10,25X16X0,2
15	4-102043	MICROINTERRUTTORE	MICROSWITCH
16	4-107120	PIASTRA FISSAGGIO CINGHIA	BELT PLATE
17	4-107134	SENSORE LASER	LASER SENSOR
18	4-111645	PIASTRA REGOLAZIONE MICRO	MICRO ADJUSTMENT PLATE
19	4-112495	PERNO ECCENTRICO D.10 M8	ECCENTRIC PIN D.10 M8
20	4-112503	PULEGGIA	PULLEY
21	4-112504	DISTANZIALE D.10X15X6,5	SPACER D.10X15X6,5
22	4-117159	SUPPORTO RILEVATORE POSTERIORE	DETECTOR REAR SUPPORT
23	4-117160	SUPPORTO SENSORE	SENSOR SUPPORT
24	4-117161	GUIDA RILEVATORE POSTERIORE	REAR DETECTOR GUIDE
26	414384	RONDELLA D.6X12X0,5	WASHER D.6X12X0,5
27	5-103054	MOTORE PASSO 48PP	MOTOR 48PP
28	5-103881	CARRELLO	TROLLEY
29	5-120047	RILEVATORE POSTERIORE	REAR DETECTOR
30	4-116015	CAVO 2P L.1200mm	CABLE 2P L.1200mm
31	4-117895	CAVO 4X0,22 6P L.900mm	CABLE 4X0,22 6P L.900mm
32	5-102440	CAVO SENSORE LASER	LASER SENSOR CABLE
33	5-100237	CAVO DI MASSA	CABLE

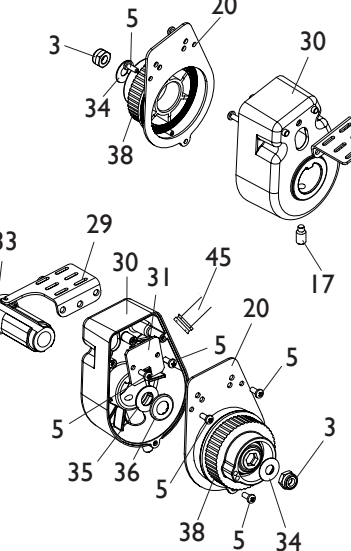
RILEVATORE DIGITALE EM9580-EM9550

EM9580-EM9550 DIGITAL DETECTOR

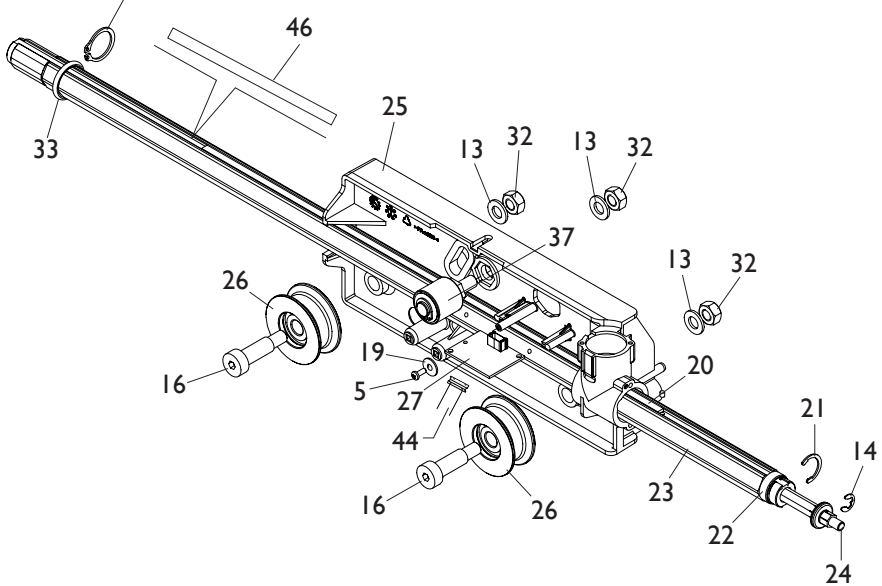


12

VISTA ANTERIORE
FRONT VIEW



VISTA POSTERIORE
REAR VIEW



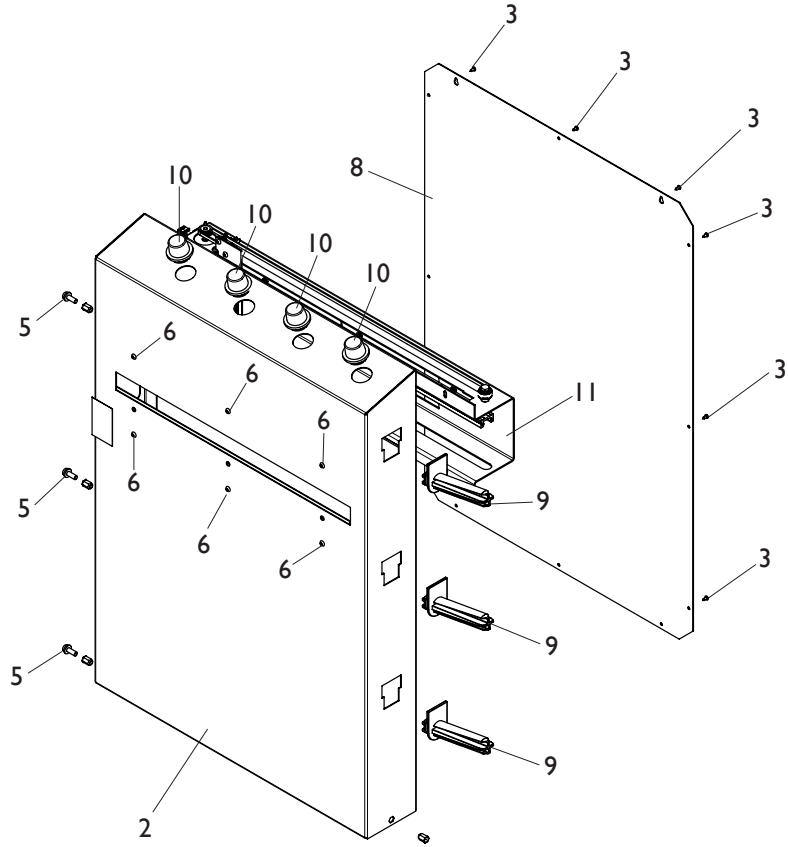
TORNA AL COMPLESSIVO
RETURNS TO OVERALL

Rif. Ref.	Codice Code	Descrizione	Description
1	2-80171	VTBIC D.3,9X9,5	ROUNDED HEAD SCREW CROSS CUT D.3,9X9,5
2	2-00211	RONDELLA D.6	WASHER D.6
3	2-01979	DADO ES.B.A. M6	LOW AUTOLOCKING HEXAGON NUT M6
4	2-02008	VTCEI 1/2F M8X40	CIRCULAR SOCKET HEAD SCREW 1/2F M8X40
5	2-02071	VATCCIC M.3X8	SCREW TAPPING HEAD CUTTING CIRCULAR CROSS M.3X8
6	4-106132	GANCIO GUIDA CAVO	HOOK CABLE GUIDE
7	4-116241	BOCCOLA FERMO ROTAZIONE	BUSH STOP ROTATION
8	4-117675	TIRANTE MOLLA	ROD SPRING
9	457598	MOLLA D.0,8X15.8X47,6	SPRING D.0,8X15.8X47,6
10	457693	VTCEI M8X20	CIRCULAR SOCKET HEAD SCREW M8X20
11	5-105497	LEVA CON TERMINALE PORTAPESI	LEVER END WEIGHT HOLDERS
12	5-105498	RILEVATORE DIGITALE	DIGITAL DETECTOR
13	2-00212	RONDELLA D.8	WASHER D.8
14	2-01010	ANELLO D.6	SEEGER D.6
15	2-02095	VATCCIC D.4X12	SCREW TAPPING HEAD CUTTING CIRCULAR CROSS D4X12
16	2-03396	VITE SPEC. D.10X25 M8	SPECIAL SCREW D.10X25 M8
17	2-71374	VSTEI M6X12	CSK SCREW ROUND SOCKET M6X12
18	2-71587	ANELLO D.20	SEEGER D.20
19	2-91679	ROSETTA D.4X12	WASHER D.4X12
20	4-101276	RIGA MAGNETICA L.400mm	MAGNETIC LINE L.400mm
21	4-101457	ANELLO D.17 H.17	SEEGER D.17 H.17
22	4-104485	BOCCOLA D.17,5X19,7X6,4	BUSHING D.17,5X19,7X6,4
23	5-120048	ASTA+MAGNETE+RIGA MAGNETICA	ROD AND LINE WITH MAGNET MAGNETIC
24	4-104488	ASTA ESAGONALE COMANDO	COMMAND HEXAGONAL ROD
25	4-104492	SUPPORTO RILEVATORE	DETECTOR SUPPORT
26	4-104525	RULLO INFERIORE	LOWER ROLLER
27	5-103205	SK MAGNETI	MAGNET P.C. BOARD
28	4-109564	LAMIERA CHIUSURA ENCODER	LOCKING PLATE ENCODER
29	4-109566	ATTACCO MOLLA RILEVATORE	SPRING ATTACK DETECTOR
30	4-109567	SUPPORTO SK RILEV.DIAMETRO	P.C. BOARD SUPPORT
31	5-103501	SK ENCODER RIFLETTENTE	P.C. BOARD ENCODER REFLECTIVE
32	421349	DADO AUTOFR.TRISTOP M8	AUTOLOCKING HEXAGON NUT M8
33	441728	OR D.18,64X3,53	O-RING D.18,64X3,53
34	459001	MOLLA D.6,2X15X0,5	SPRING D.6,2X15X0,5
35	4-104483	RALLA A RULLINI D.0,9X17X0,8	FIFTH WHEEL ROLLER D.0,9X17X0,8
36	4-104484	CUSCINETTO ASSIALE A RULLINI D.0,9X17X0,8	AXIAL NEEDLE BEARING D.0,9X17X0,8
37	5-103502	RULLO SUPERIORE	UPPER ROLLER
38	5-103470	PULEGGIA	PULLEY
39	2-00832	ANELLO D.13	SEEGER D.13
40	2-03063	RONDELLA D.14X20X0,3	WASHER D.14X20X0,3
41	4-116242	LEVA	LEVER
42	450073	RONDELLA D.13	WASHER D.13
43	5-101462	TERMINALE PORTAPESI STD	TERMINAL STANDARD WEIGHT HOLDERS
44	4-109588	FLAT 6 VIE L.1100mm	FLAT CABLE 6-WAY L.1100mm
45	4-109760	FLAT 4 VIE L.2200mm	FLAT CABLE 4-WAY L.2200mm
46	4-108321	TARGHETTA MILLIMETRATA L.400MM	MILLIMETRIC LABEL L.400MM

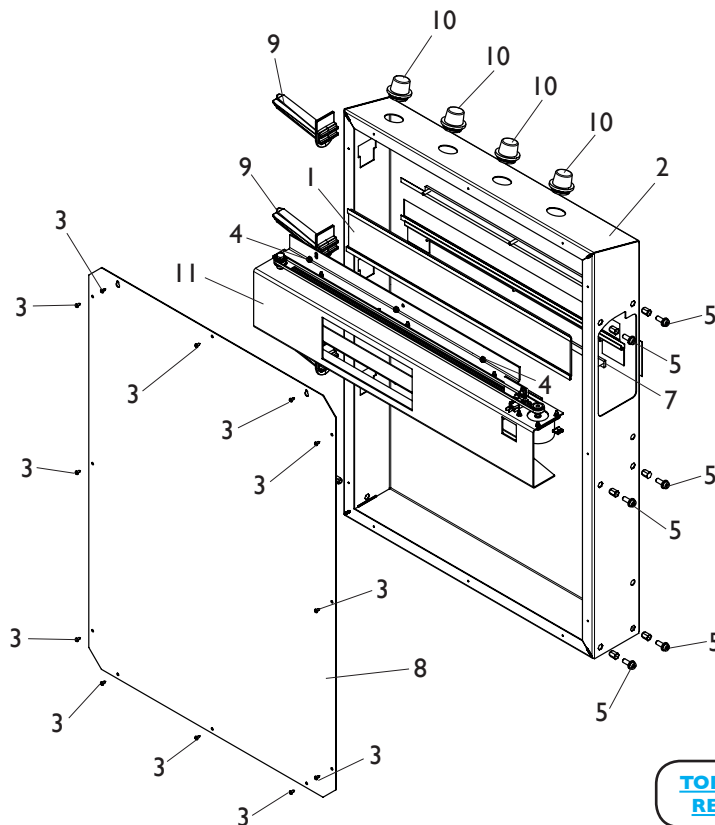
KIT RILEVATORE POSTERIORE EYELIGHT-EM9980

EYELIGHT-EM9980 REAR DETECTOR KIT

**VISTA ANTERIORE
FRONT VIEW**



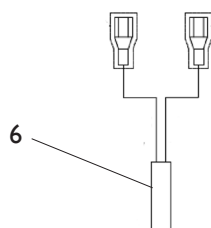
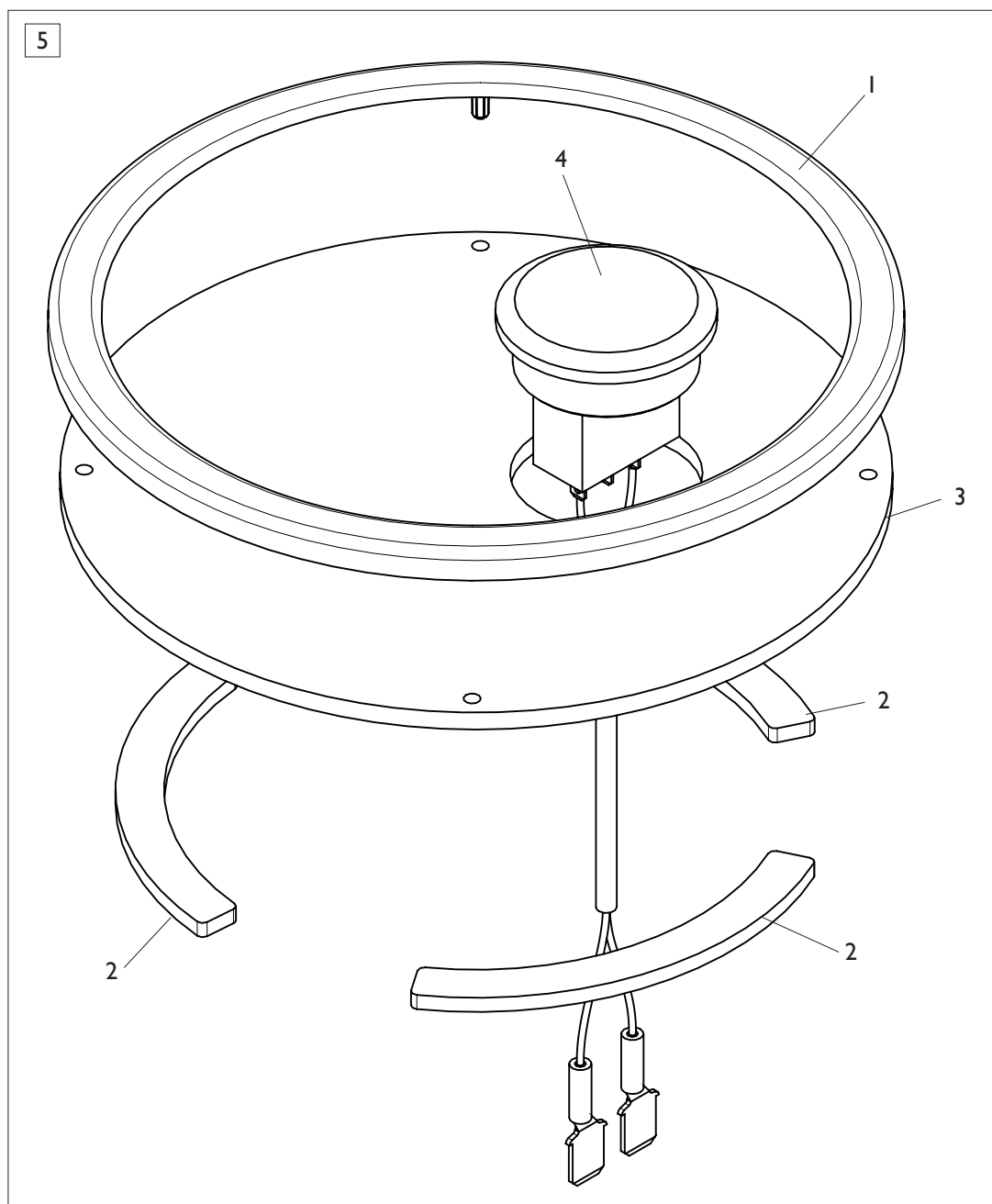
**VISTA POSTERIORE
REAR VIEW**



[TORNA AL COMPLESSIVO](#)
[RETURNS TO OVERALL](#)

Rif. Ref.	Codice Code	Descrizione	Description
1	5-120049	VETRO	GLASS
2	5-120050/90	PANNELLO CON ADESIVO EYE-LIGHT	PANEL WITH LABEL EYE-LIGHT
2	5-120050/16	PANNELLO CON ADESIVO EM9980	PANEL WITH LABEL EM9980
3	2-80171	VTBIC D.3,9X9,5	ROUNDED HEAD SCREW CROSS CUT D.3,9X9,5
4	2-01979	DADO ES.B.A. M6	LOW AUTOLOCKING HEXAGON NUT M6
5	457693	VTCEI FLANGIATA M8X20	CIRCULAR SOCKET HEAD SCREW M8X20
6	2-02147	VTBEI M6X20	ROUNDED HEAD SCREW SOCKET M6X20
7	4-117163	PIASTRA DISTANZIALE	SPACER PLATE
8	4-117164/90	PANNELLO POSTERIORE EYE-LIGHT	REAR PANEL EYE-LIGHT
8	4-117164/16	PANNELLO POSTERIORE EM9980	REAR PANEL EM9980
9	438319	PORTAFLANGIA A SLITTA	SLIDING HOLDER FLANGE
10	441224	PORTACONO AD INCASTRO	CONE HOLDER INTERLOCKING
11	5-120047	RILEVATORE POSTERIORE	REAR DETECTOR

TASTIERA ONE TOUCH EYELIGHT-EM9980 EYELIGHT-EM9980 ONE TOUCH KEYBOARD



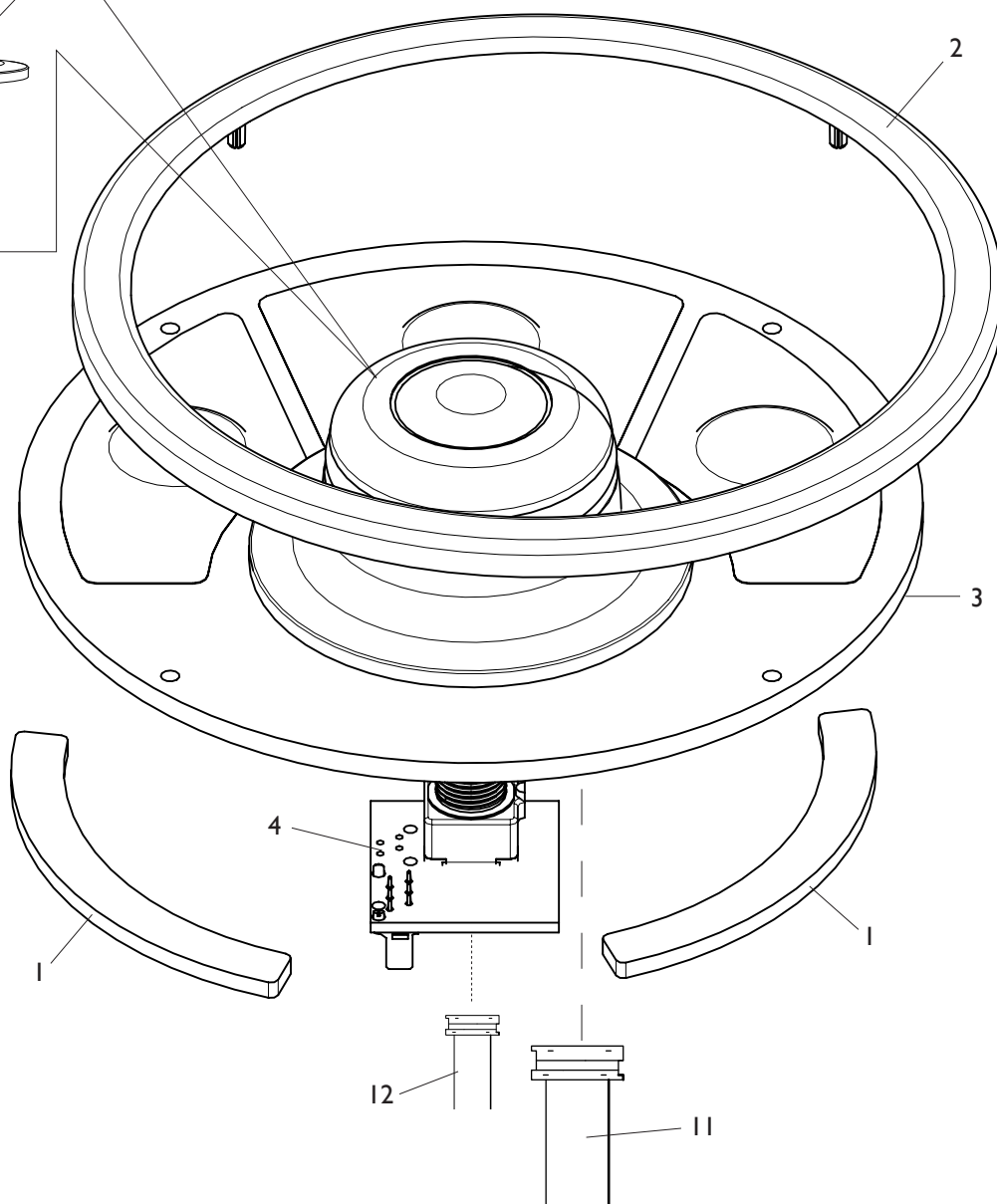
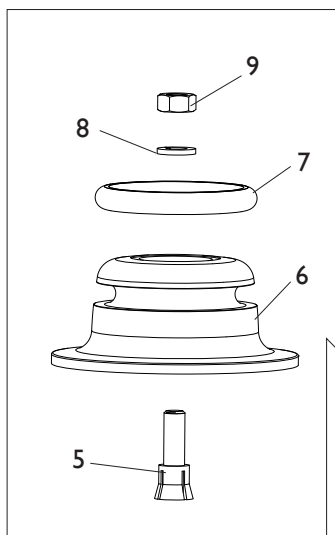
[TORNA AL COMPLESSIVO](#)
[RETURNS TO OVERALL](#)

Rif. Ref.	Codice Code	Descrizione	Description
1	4-105569	CORNICE CIRCOLARE	CIRCULAR FRAME
2	4-117842	SETTORE ADESIVO DUAL-LOCK	DUAL-LOCK LABEL
3	4-130698	DISCO SUPPORTO	SUPPORT DISC
4	5-120304	PULSANTE CON CAVO	BUTTON WITH CABLE
5	5-120051	TASTIERA ONE TOUCH	ONE TOUCH KEYBOARD
6	4-118111	CAVO 2P L.1100mm EYE-LIGHT	CABLE 2P L.1100mm EYE-LIGHT
6	4-118689	CAVO 2P L.1100mm EM9980	CABLE 2P L.1100mm EM9980

TASTIERA KIS EM9580

EM9580 KIS KEYBOARD

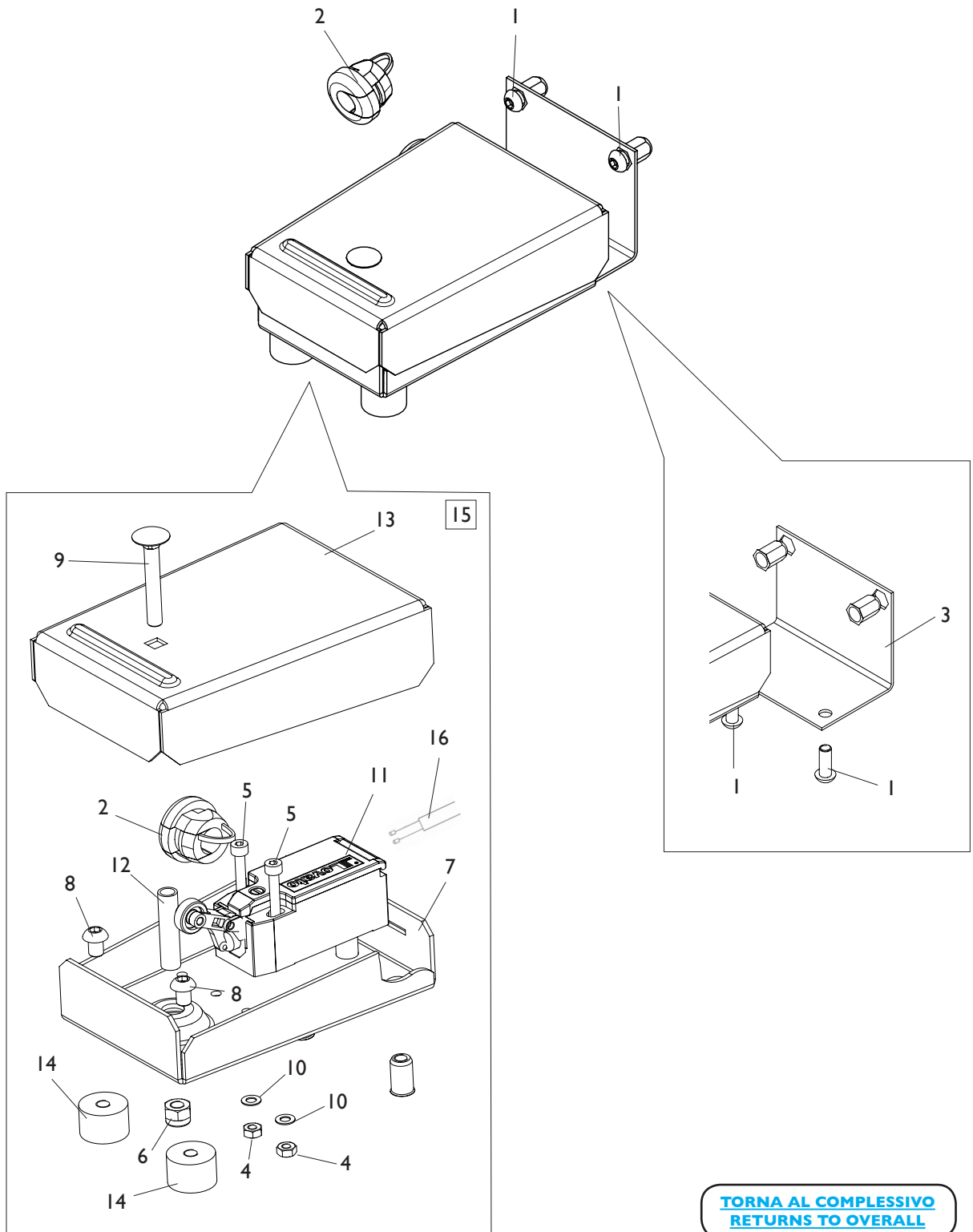
10



[TORNA AL COMPLESSIVO](#)
[RETURNS TO OVERALL](#)

Rif. Ref.	Codice Code	Descrizione	Description
1	4-117842	SETTORE ADESIVO DUAL-LOCK	LABEL DUAL-LOCK
2	4-105569	CORNICE CIRCOLARE	FRAME IT CIRCULAR
3	4-115861	TASTIERA PER KIS	KIS KEYBOARD
4	4-115913	SK ENCODER	ENCODER BOARD
5	33014602	CONO DI SERRAGGIO	CONE LOCKING
6	4-117840	MANOPOLA KISS	KISS HANDLE
7	3-02871	OR D.27,94X5,34	O-RING D.27,94X5,34
8	2-00204	ROSETTA D.5	WASHER D.5
9	2-00144	DADO ES.N. M5	NORMAL HEXAGON NUT M5
10	5-120052	TASTIERA KIS	KIS KEYBOARD
11	4-104684	FLAT 16 VIE L.1400mm	FLAT CABLE 16-WAY L.1400mm
12	4-101097	FLAT 6 VIE L.160mm	FLAT CABLE 6-WAY L.160mm

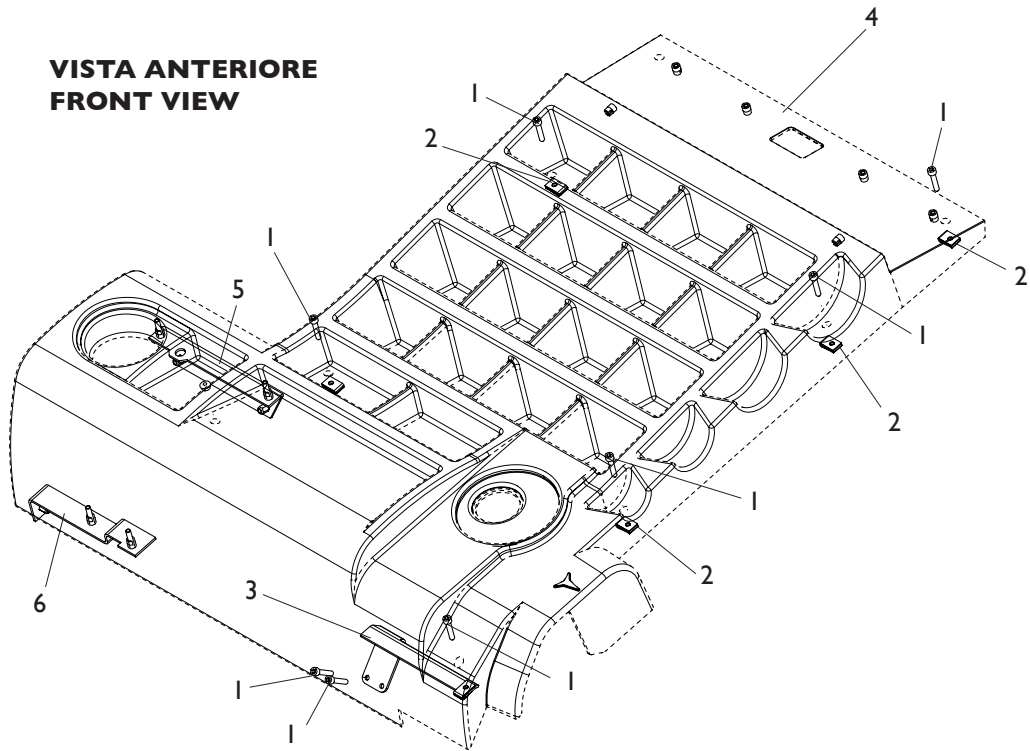
PEDALE EC EC PEDAL



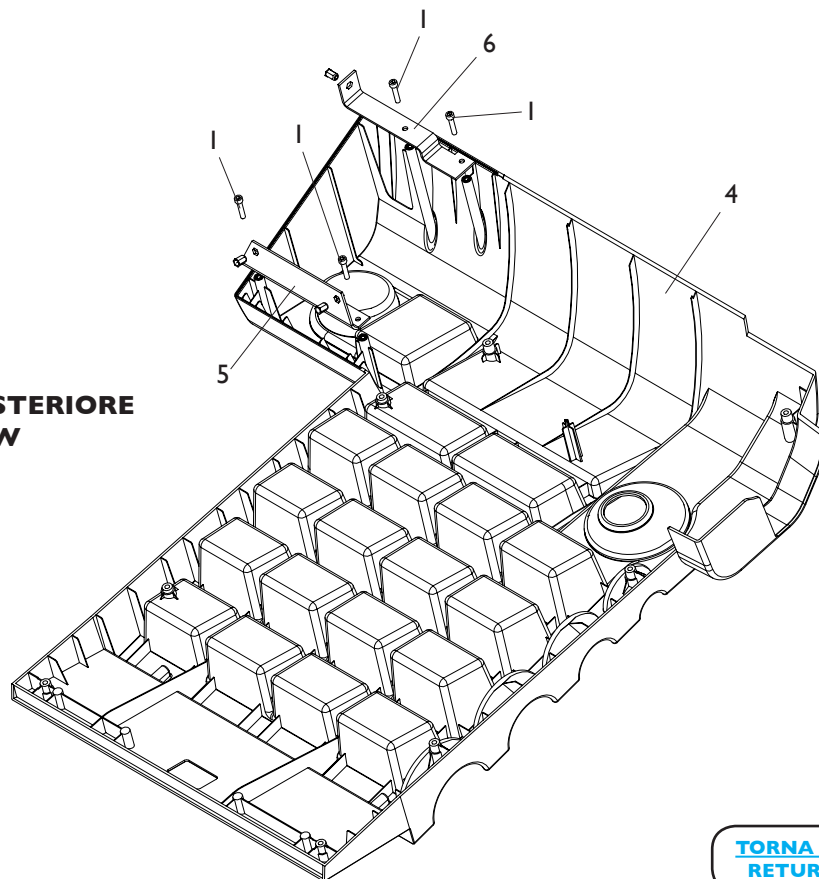
Rif. Ref.	Codice Code	Descrizione	Description
1	2-02155	VTBEI M6X16	ROUNDED HEAD SCREW SOCKET M6X16
2	461234	PRESSACAVO	PRESSACAVO
3	5-120053	ATTACCO PEDALE	PEDAL CONNECTION
4	2-00149	DADO ES.N. M4	NORMAL HEXAGON NUT M4
5	2-00735	VTCEI 1/2F M4X30	CIRCULAR SOCKET HEAD SCREW 1/2F M4X30
6	2-01257	DADO ES.N.A. M6	NORMAL AUTOLOCKING HEXAGON NUT M6
7	5-120054	LAMIERA INFERIORE	LOWER PLATE
8	2-02151	VTBEI M6X8	ROUNDED HEAD SCREW SOCKET M6X8
9	2-03493	VTTL 1/2F M6X40	SCREW 1/2F M6X40
10	2-71541	ROSETTA D.4	WASHER D.4
11	4-105962	MICRO 10A	MCRO 10A
12	4-130772	DISTANZIALE D. 8X6X30	SPACER D.8X6X30
13	4-117194	LAMIERA SUPERIORE	UPPER PLATE
14	441675	ANTIVIBRANTE 20X13 M6X6	ANTIVIBRATION 20X13 M6X6
15	5-105658	PEDALE CON STAFFA	PEDAL WITH PLATE
16	4-117894	CAVO 2X1 L.1500mm	CABLE 2X1 L.1500mm

COPERCHIO PORTAPESI EYE-LIGHT EYE-LIGHT WEIGHT HOLDERS

**VISTA ANTERIORE
FRONT VIEW**



**VISTA POSTERIORE
REAR VIEW**



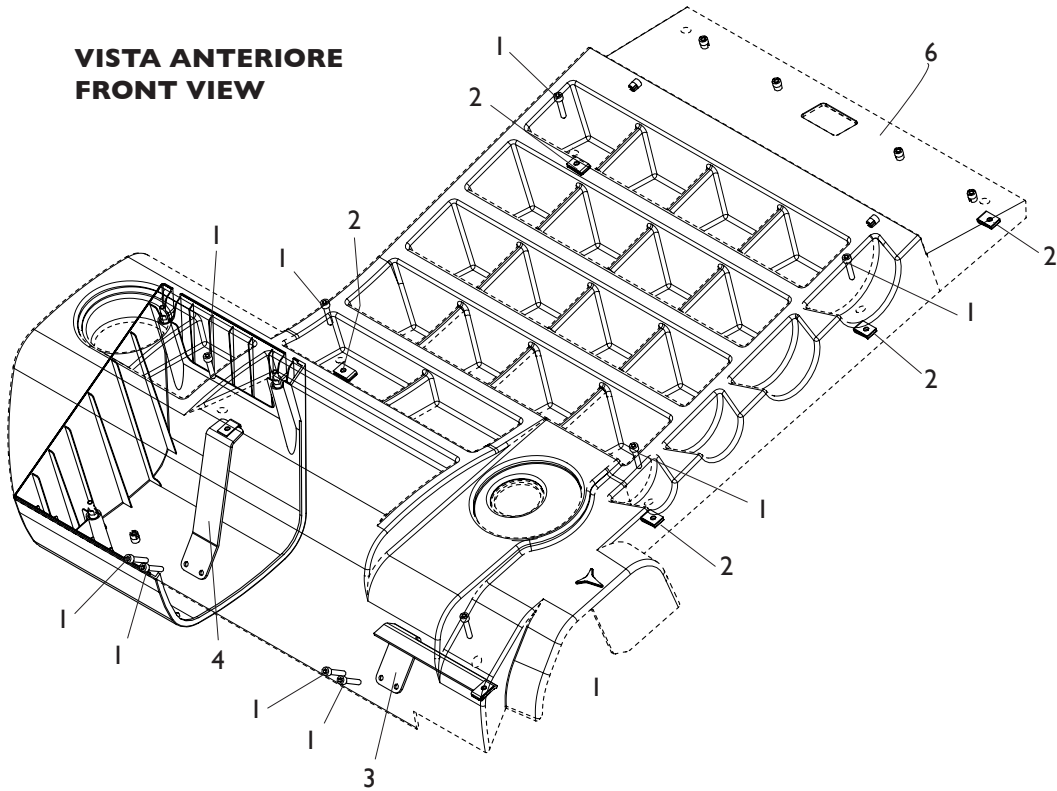
[TORNA AL COMPLESSIVO](#)
[RETURNS TO OVERALL](#)

Rif. Ref.	Codice Code	Descrizione	Description
1	2-00863	VTCEI M6X30	CIRCULAR SOCKET HEAD SCREW M6X30
2	4-100615	INSERTO M6	INSERT M6
3	4-117496	STAFFA ANTERIORE	FRONT PLATE
4	4-116189	COPERCHIO PORTAPESI	COVER WEIGHT TRAY
5	5-120055	STAFFA COPERCHIO PORTAPESI	BRACKET COVER WEIGHT HOLDERS
6	5-120056	STAFFA SX COPERCHIO PORTAPESI	BRACKET LEFT COVER WEIGHT HOLDERS

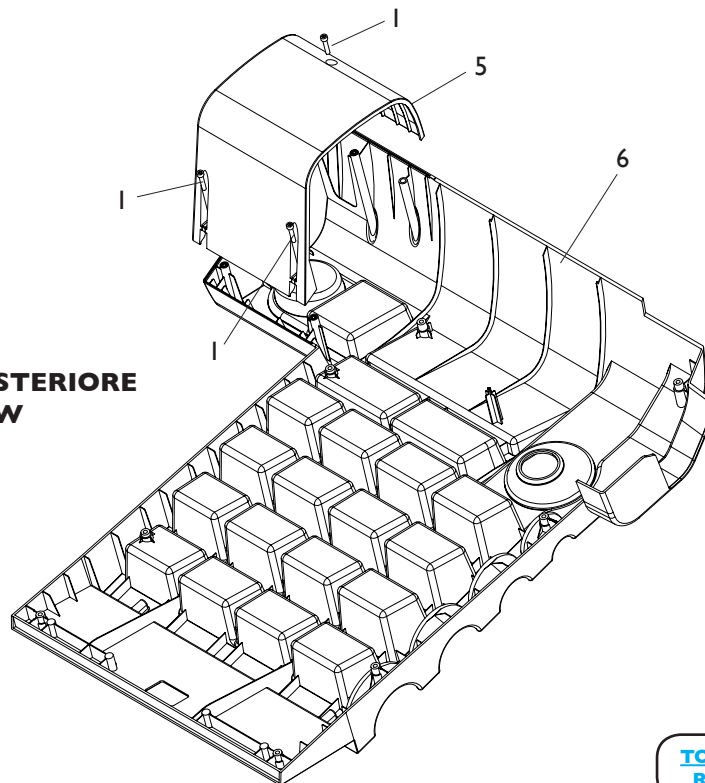
COPERCHIO PORTAPESI EM9980

EM9980 WEIGHT HOLDERS

VISTA ANTERIORE
FRONT VIEW



VISTA POSTERIORE
REAR VIEW

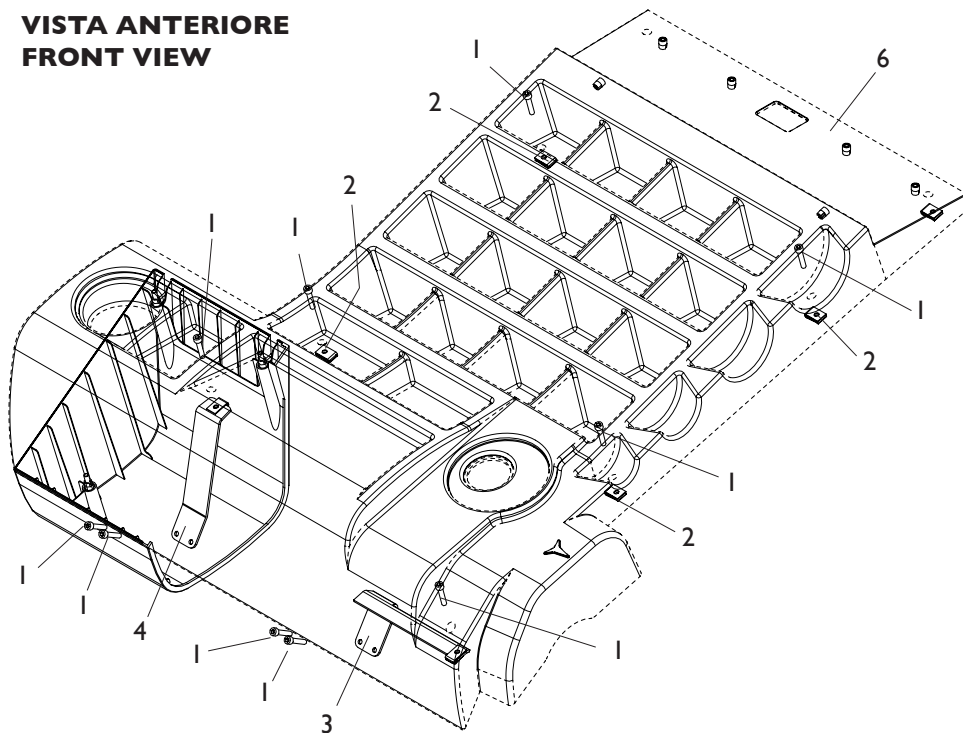


[TORNA AL COMPLESSIVO](#)
[RETURNS TO OVERALL](#)

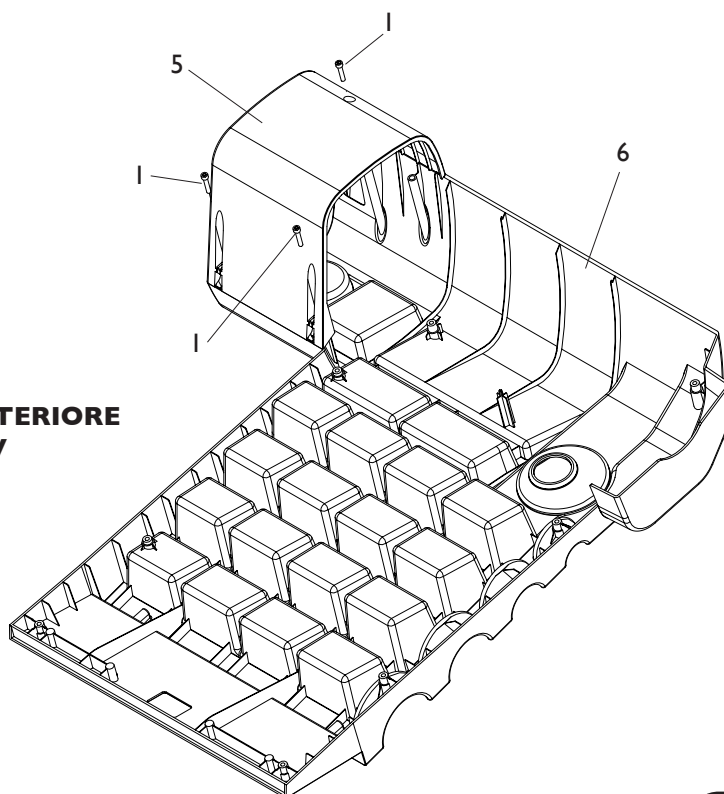
Rif. Ref.	Codice Code	Descrizione	Description
1	2-00863	VTCEI M6X30	CIRCULAR SOCKET HEAD SCREW M6X30
2	4-100615	INSERTO M6	INSERT M6
3	4-117496	STAFFA ANTERIORE	FRONT PLATE
4	4-118655	STAFFA ANTERIORE SX	BRACKET LEFT FRONT
5	4-116188	CARTER INFERIORE	LOWER CARTER
6	4-116189	COPERCHIO PORTAPESI	COVER WEIGHT HOLDERS

COPERCHIO PORTAPESI EM9580-EM9550 EM9580-EM9550 WEIGHT HOLDERS COVER

**VISTA ANTERIORE
FRONT VIEW**



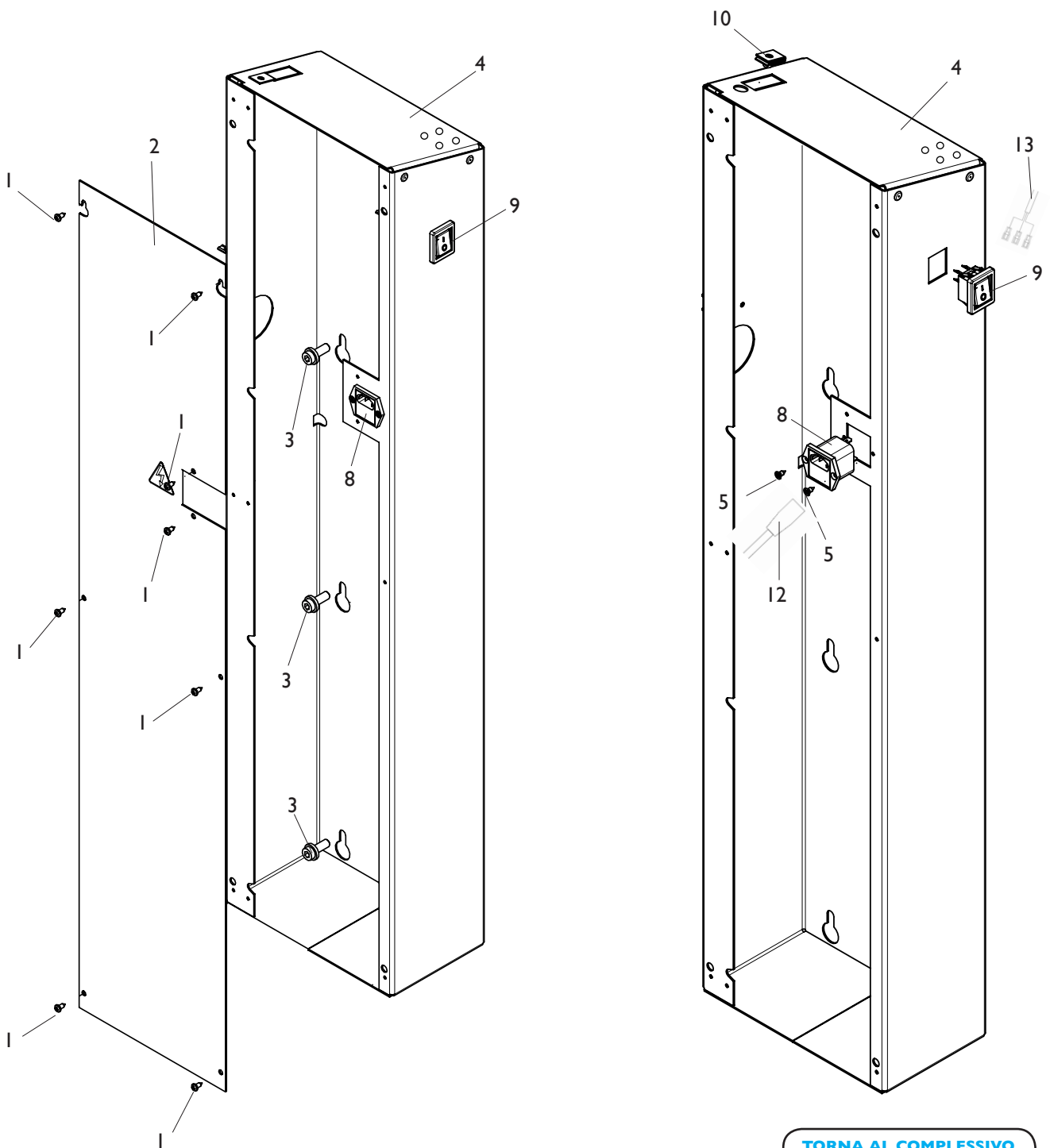
**VISTA POSTERIORE
REAR VIEW**



[TORNA AL COMPLESSIVO](#)
[RETURNS TO OVERALL](#)

Rif. Ref.	Codice Code	Descrizione	Description
1	2-00863	VTCEI M6X30	CIRCULAR SOCKET HEAD SCREW M6X30
2	4-100615	INSERTO M6	INSERT M6
3	4-117496	STAFFA ANTERIORE	FRONT PLATE
4	4-118655	STAFFA ANTERIORE SX	BRACKET LEFT FRONT
5	4-116188	CARTER INFERIORE	LOWER CARTER
6	4-116190	COPERCHIO PORTAPESI	COVER WEIGHT HOLDERS

COLONNA POSTERIORE SX REAR LEFT COLUMN

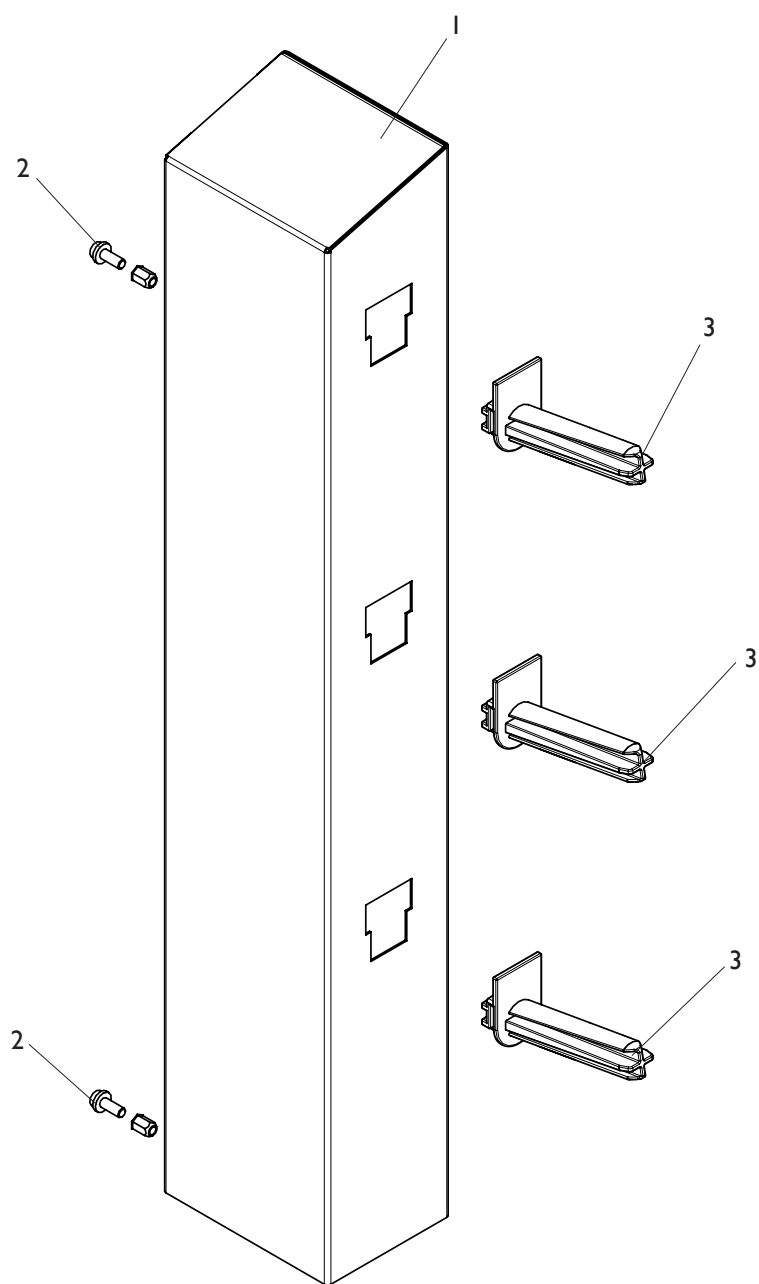


[TORNA AL COMPLESSIVO](#)
[RETURNS TO OVERALL](#)

Rif. Ref.	Codice Code	Descrizione	Description
1	2-80171	VATBIC D.3,9X9,5	ROUNDED HEAD SCREW TAPPING CROSS CUT D.3,9X9,5
2	5-120057/90	PANNELLO CHIUSURA EYE-LIGHT	LOCKING PANEL EYE-LIGHT
2	5-120057/16	PANNELLO CHIUSURA EM9980-9580-9550	LOCKING PANEL EM9980-9580-9550
3	457693	VTCEI FLANGIATA M8X20	CIRCULAR SOCKET HEAD SCREW M8X20
4	5-120058/90	COLONNA POSTERIORE EYE-LIGHT	REAR COLUMN EYE-LIGHT
4	5-120058/16	COLONNA POSTERIORE EM9980-9580-9550	REAR COLUMN EM9980-9580-9550
5	2-01945	VATSPIC D.3,9X9,5	TAPPING SCREW PLAT SOCKET CSK D.3,9X9,5
8	3-02943	SPINA BIPOLARE 10A-250V	BIPOLAR PLUG 10A-250V
9	3-02944	INTERRUTTORE BIPOLARE	BIPOLAR SWITCH
10	4-100615	INSERTO M6	INSERT M6
12	3-01943	CAVO RETE 2-2,5MT	POWER CABLE 2-2,5MT
13	4-117898	CAVO ALIMENTAZIONE F. PRESA VDE	VDE POWER CABLE

COLONNA POSTERIORE DX EM9580-EM9550

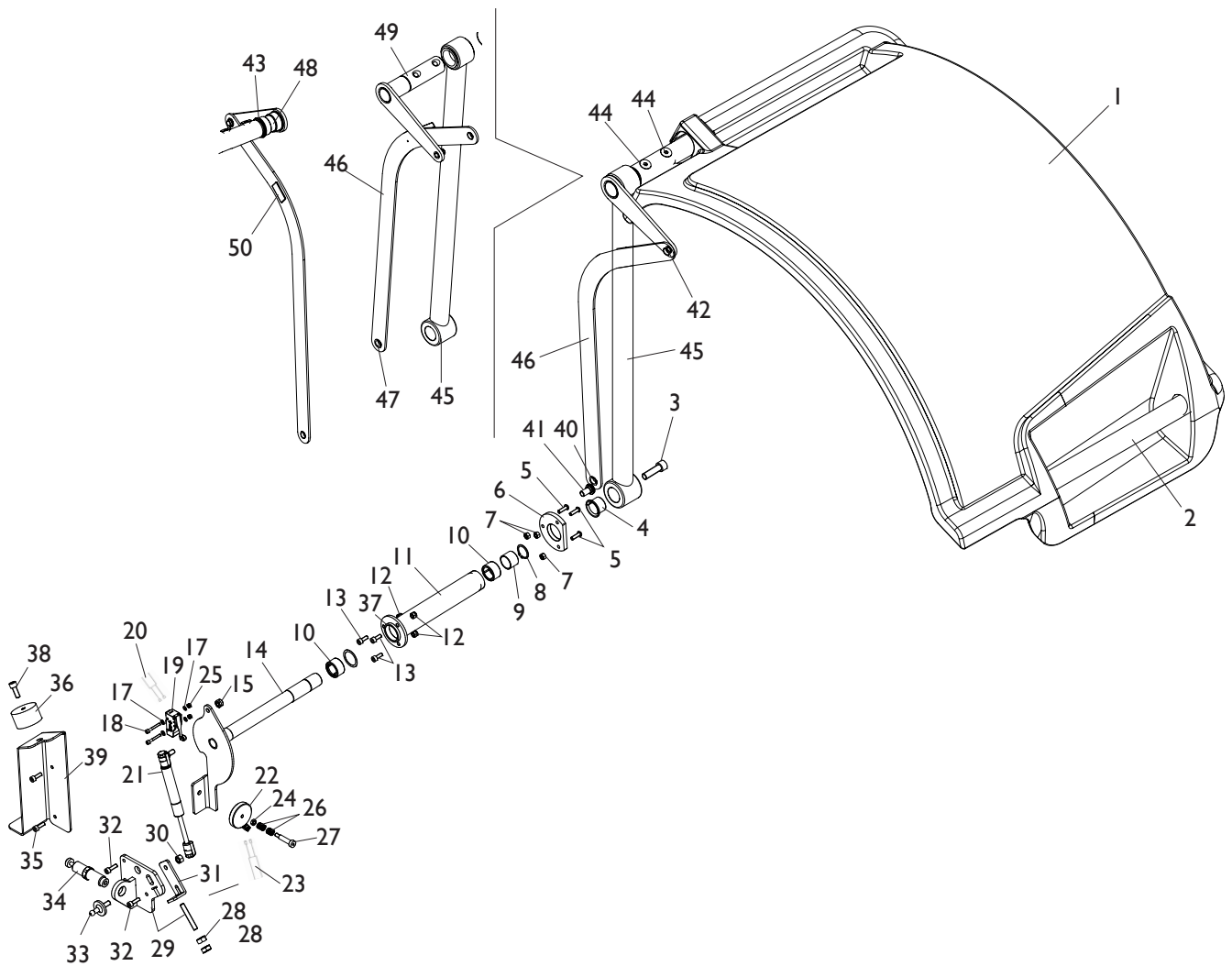
EM9580-EM9550 RIGHT REAR COLUMN



TORNA AL COMPLESSIVO
RETURNS TO OVERALL

Rif. Ref.	Codice Code	Descrizione	Description
1	5-120059	COLONNA POSTERIORE DX	RIGHT REAR COLUMN
2	457693	VTCEI FLANGIATA M8X20	CIRCULAR SOCKET HEAD SCREW M8X20
3	438319	PORTAFLANGIA A SLITTA	SLIDING HOLDER FLANGE

GRUPPO PROTEZIONE EYE-LIGHT EYE-LIGHT PROTECTION GROUP

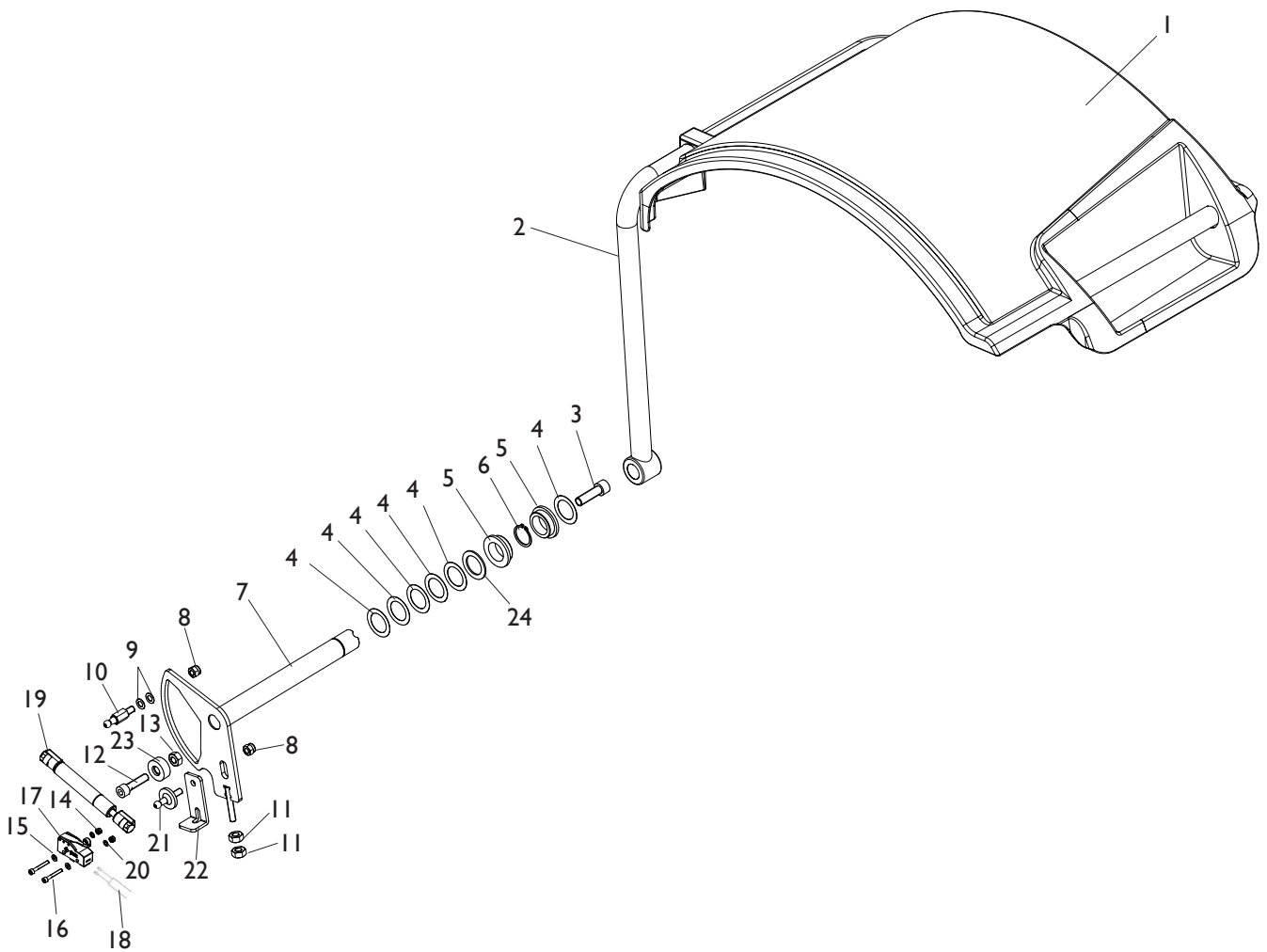


[TORNA AL COMPLESSIVO](#)
[RETURNS TO OVERALL](#)

Rif. Ref.	Codice Code	Descrizione	Description
1	4-105459	PROTEZIONE RUOTA 44"	WHEEL PROTECTION 44"
2	5-105923	TUBO ESTERNO PROTEZIONE	EXTERNAL TUBE PROTECTION
3	2-03001	VTCEI M12X40	CIRCULAR SOCKET HEAD SCREW M12X40
4	3-10100	BOCCOLA FLANGIATA D.25X28X21,5	BUSH D.25X28X21,5
5	2-02147	VTBEI M6X20	ROUNDED HEAD SCREW SOCKET
6	4-131601	PIASTRA BLOCCAGGIO CARTER	PLATE
7	2-00111	DADO ES. M6	HEXAGON NUT M6
8	2-01110	SEEGER D.28	SEEGER D.28
9	3-00627	BOCCOLA D.25X20	BUSH D.25X20
10	3-10102	ASTUCCIO A RULLINI D.25X32X18	BUSH D.25X32X18
11	4-131613	CARTER CON FLANGIA	CARTER WITH FLANGE
12	2-01257	DADO ES.A. M6	AUTOLOCKING HEXAGON NUT M6
13	2-00309	VTCEI M6X16	CIRCULAR SOCKET HEAD SCREW M6X16
14	4-131610	CAMMA PROTEZIONE AUTOMATICA	AUTOMATIC PROTECTION PIN
15	2-01137	DADO ES.B.A M8	LOW AUTOLOCKING HEXAGON NUT M8
16	2-02883	DADO ES.A. M4	AUTOLOCKING HEXAGON NUT M4
17	2-00209	RONDELLA D.4	WASHER D.4
18	2-02078	VTCEI 1/2F M4X30	CIRCULAR SOCKET HEAD SCREW 1/2F M4X30
19	4-109005	MICRO I6A	MICRO I6A
20	4-109501	CAVO 2P L.1400mm	CABLE 2P L.1400mm
21	4-104977	MOLLA GAS	GAS SPRING
22	5-120144	ELETTROMAGNETE	ELECTROMAGNET
23	4-130327	CAVO ELETTROMAGNETE	ELECTROMAGNET CABLE
24	2-00155	DADO ES. M6	HEXAGON NUT M6
25	2-00196	RONDELLA D.4	WASHER D.4
26	4-131598	MOLLA D.11,5X1,5X17	SPRING D.11,5X1,5X17
27	2-20003	VITE DI SPALLAMENTO M6X30	SCREW M6X30
28	2-00151	DADO ES. M8	HEXAGON NUT M8
29	4-131599	SUPPORTO DECELERATORE	SUPPORT
30	2-00112	DADO ES. M8	HEXAGON NUT M8
31	4-131516	STAFFA FISSAGGIO MOLLA A GAS	GAS SPRING BRACKET
32	2-00310	VTCEI M6X20	CIRCULAR SOCKET HEAD SCREW M6X20
33	4-131515	SNODO M8	JOINT M8
34	3-10010	DECELERATORE	DECELERATOR
35	2-00999	VTCEI M6X18	CIRCULAR SOCKET HEAD SCREW M6X18
36	4-118425	TAMPONE D.30X13	PAD D.30X13
37	3-10101	RALLA D.28,5X35,8X0,5	WASHER D.28,5X35,8X0,5
38	2-01098	VTCEI M8X22	CIRCULAR SOCKET HEAD SCREW M8X22
39	4-131574	SUPPORTO ELETTROCALAMITA	ELECTROMAGNET SUPPORT
40	3-02954	RONDELLA D.13X18X2	WASHER D.13X18X2
41	447047	VITE SPECIALE D.12X16 M10	SPECIAL SCREW D.12X16 M10
42	2-00025	SEEGER D.12	SEEGER D.12
43	2-01068	SEEGER D.32	SEEGER D.32
44	2-02639	VTSPEI M10X30	CSK SCREW FLAT SOCKET M10X30
45	4-117845	TUBO INTERNO PROTEZIONE	INNER TUBE PROTECTION
46	4-117849	CEDENTE	TRANSFEROR
47	4-117850	BOCCOLA CLIP D.12	BUSH CLIP D.12
48	4-117851	BOCCOLA D.36	BUSH D.36
49	4-117863	BIELLA PROTEZIONE	ROD PROTECTION
50	4-405091	TAPPO PORTA USB	USB PLUG

GRUPPO PROTEZIONE EM9980-EM9580-EM9550

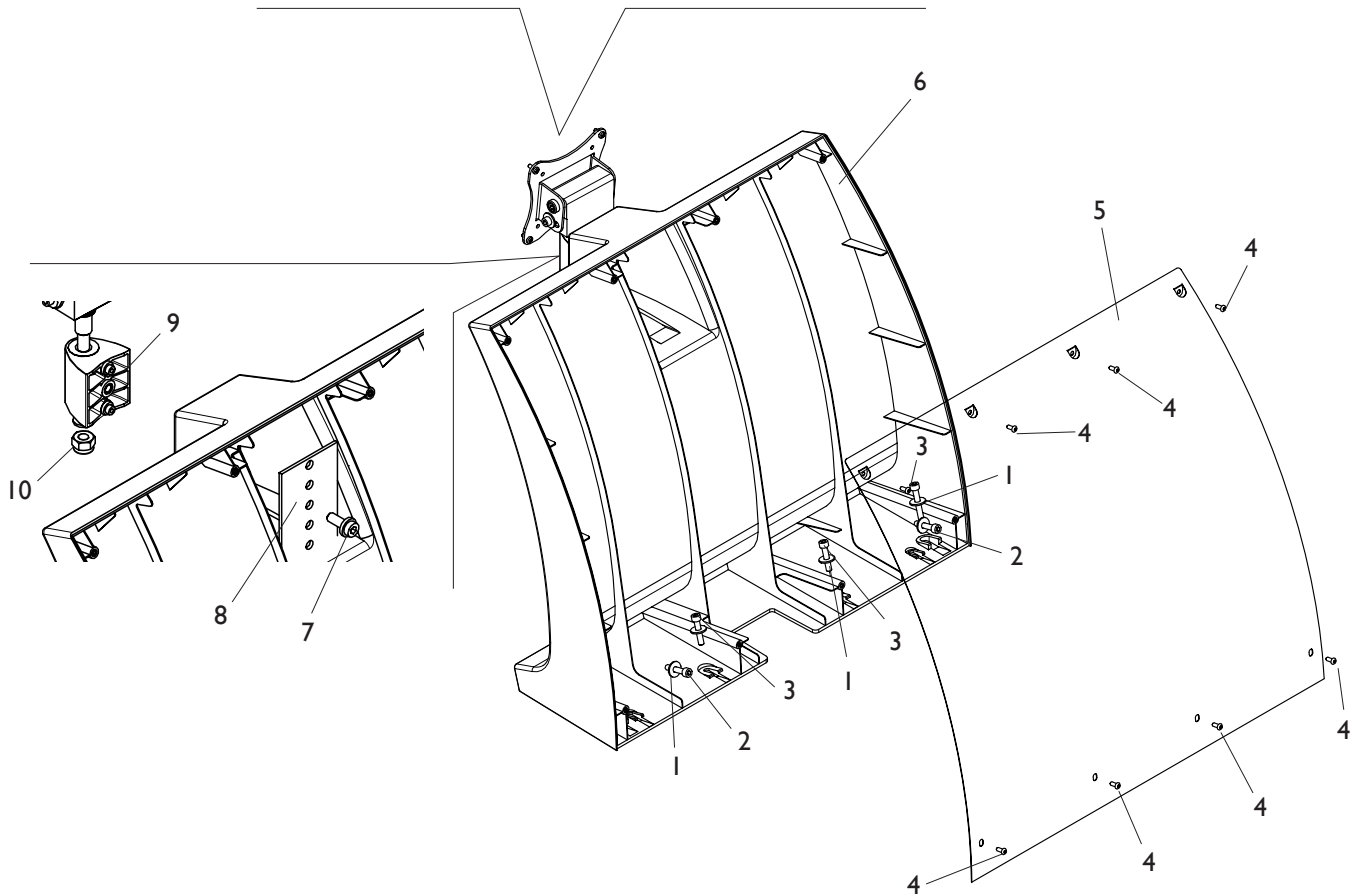
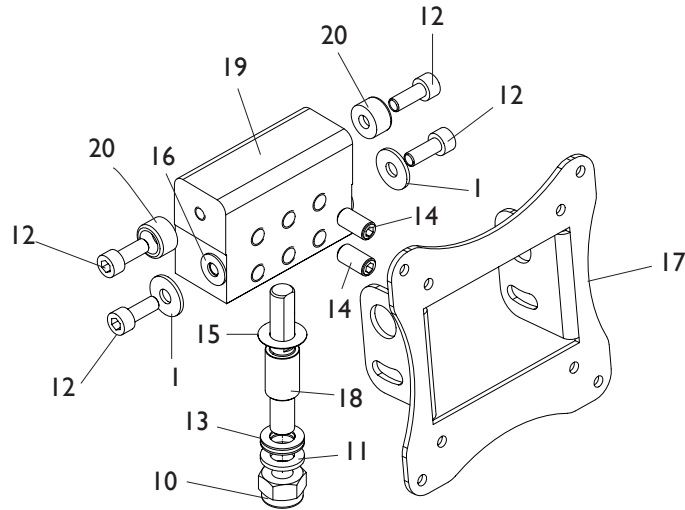
EM9980-EM9580-EM9550 PROTECTION GROUP



[TORNA AL COMPLESSIVO](#)
[RETURNS TO OVERALL](#)

Rif. Ref.	Codice Code	Descrizione	Description
1	4-105459	PROTEZIONE RUOTA 44"	WHEEL PROTECTION 44"
2	5-120580	TUBO ESTERNO PROTEZIONE	EXTERNAL TUBE PROTECTION
3	2-03001	VTCEI M12X40	CIRCULAR SOCKET HEAD SCREW M12X40
4	436721	RONDELLA D.29X42X0,5	WASHER D.29X42X0,5
5	433637	BOCCOLA FLANGIATA D.28X38X13	BUSH D.28X38X13
6	2-01110	SEEGER D.28	SEEGER D.28
7	4-131513	CAMMA PROTEZIONE	PROTECTION PIN
8	2-01020	DADO ES.A. M8	AUTOLOCKING HEXAGON NUT M8
9	2-00193	ROSETTA D.8	WASHER D.8
10	4-131514	SNODO M8 D.10	JOINT M8 D.10
11	2-00112	DADO ES. M8	HEXAGON NUT M8
12	2-01191	VTCEI M10X25	CIRCULAR HEX. HEAD SCREW M10X25
13	2-00152	DADO ES. M10	HEXAGON NUT M10
14	2-02883	DADO ES.A. M4	AUTOLOCKING HEXAGON NUT M4
15	2-00209	RONDELLA D.4	WASHER D.4
16	2-02078	VTCEI 1/2F M4X30	CIRCULAR SOCKET HEAD SCREW 1/2F M4X30
17	4-109005	MICRO I6A	MICRO I6A
18	4-109501	CAVO 2P L.1400mm	CABLE 2P L.1400mm
19	4-131899	MOLLA GAS	GAS SPRING
20	2-00196	RONDELLA D.4	WASHER D.4
21	4-131515	SNODO M8	JOINT M8
22	4-131516	STAFFA FISSAGGIO MOLLA A GAS	GAS SPRING BRACKET
23	4-118425	TAMPONE D.30X13	PAD D.30X13
24	4-109006	RONDELLA D.28,5X42X2	WASHER D.28,5X42X2

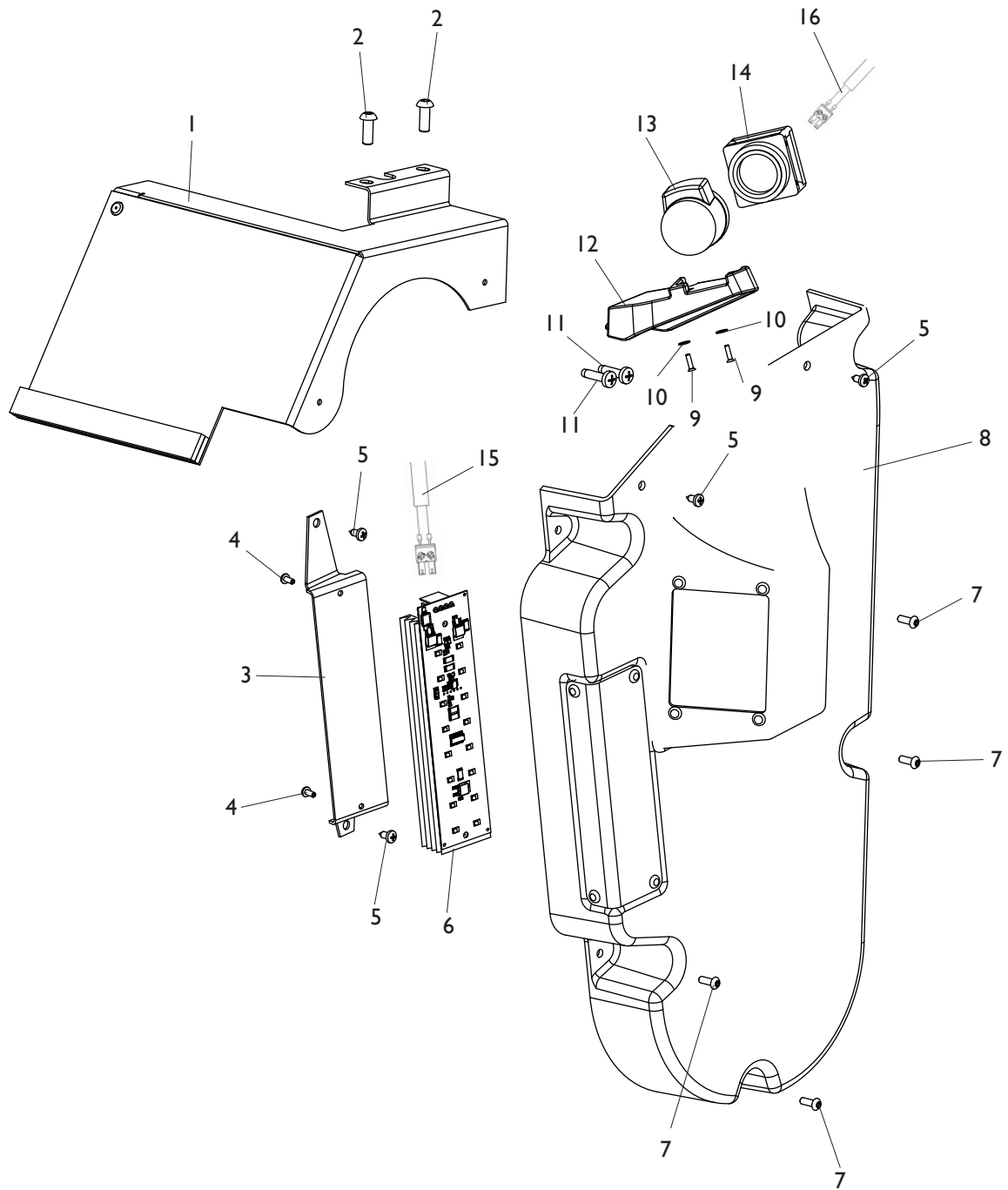
GRUPPO TESTATA HEAD GROUP



[TORNA AL COMPLESSIVO](#)
[RETURNS TO OVERALL](#)

Rif. Ref.	Codice Code	Descrizione	Description
1	2-00679	RONDELLA D.6,6X18X1,6	WASHER D.6,6X18X1,6
2	2-00863	VTCEI M6X30	CIRCULAR SOCKET HEAD SCREW M6X30
3	2-00947	VTCEI 1/2F M6X50	CIRCULAR SOCKET HEAD SCREW 1/2 M6X50
4	2-02145	VTBEI M4X10	ROUNDED HEAD SCREW SOCKET M4X10
5	4-118214	CARTER SUPPROTO TESTATA	CARTER HEAD SUPPORT
6	4-116187	SUPPORTO TESTATA	HEAD SUPPORT
7	457693	VTCEI FLANGIATA M8X20	CIRCULAR SOCKET HEAD SCREW M8X20
8	4-118215	PIASTRA	PLATE
9	4-105400	BLOCCHETTO	BLOCK
10	2-01019	DADO ES.N.A. M10	NORMAL AUTOLOCKING HEXAGON NUT M10
11	2-02067	RONDELLA D.10	WASHER D.10
12	2-02378	VTCEI M6X16	CIRCULAR SOCKET HEAD SCREW M6X16
13	2-02993	ROSETTA D.10	WASHER D.10
14	2-71768	VSTEI M8X16	CSK SCREW ROUND SOCKET M8X16
15	310842	RONDELLA D.10,25X20X0,3	WASHER D.10,25X20X0,3
16	3-01756	RONDELLA D.6,2X14X1	WASHER D.6,2X14X1
17	4-111291	PIASTRA MONITOR	MONITOR PLATE
18	4-118828	PERNO VERTICALE	VERTICAL PIN
19	4-118829	CORPO SNODO	BODY JOINT
20	4-118830	BOCCOLA FULCRO SNODO	BUSHING FULCRUM JOINT

GRUPPO ILLUMINATORE EYE-LIGHT EYE-LIGHT LIGHTING GROUP

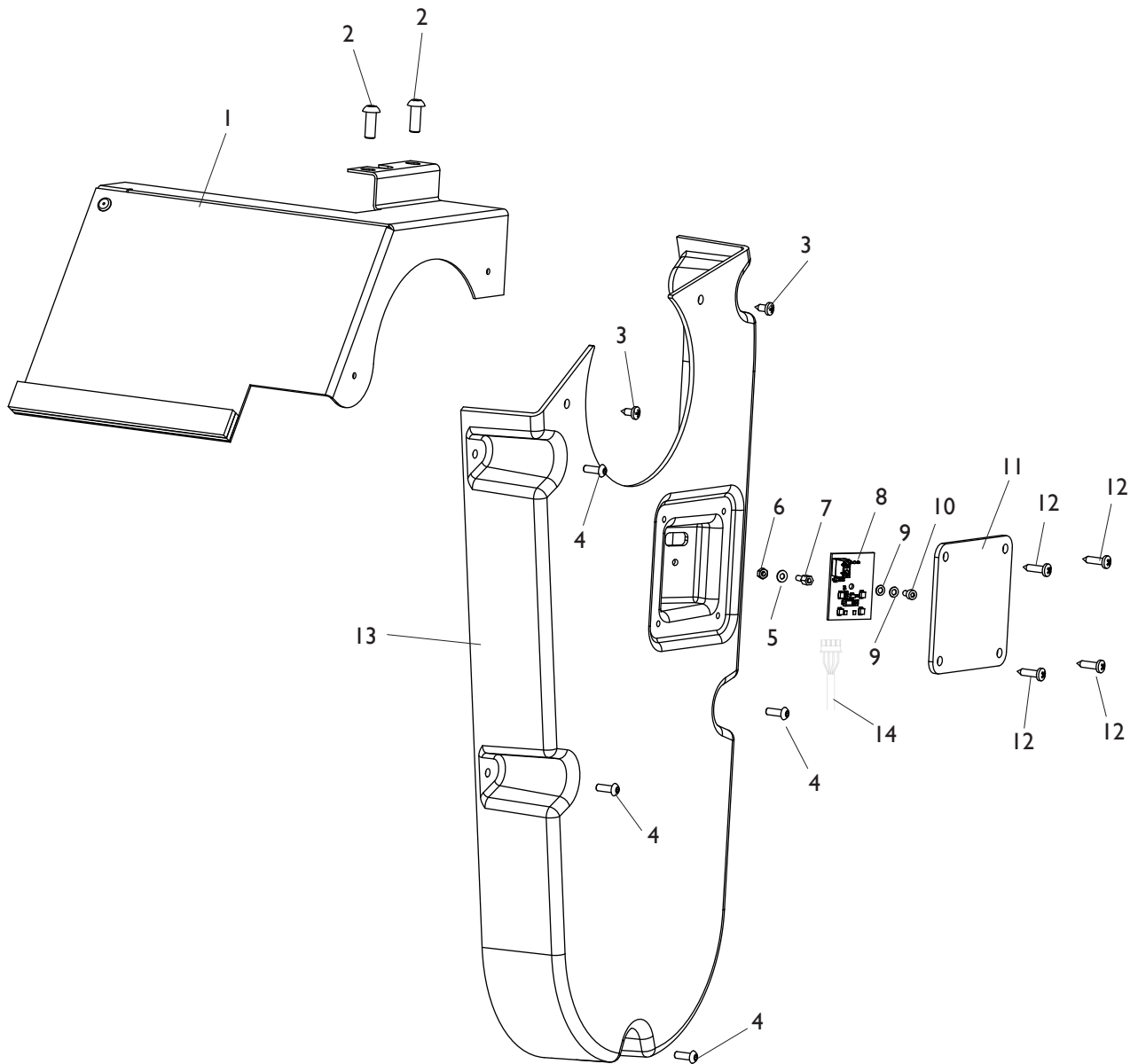


[TORNA AL COMPLESSIVO](#)
[RETURNS TO OVERALL](#)

Rif. Ref.	Codice Code	Descrizione	Description
1	5-120060	CARTER PROTEZIONE	PROTECTION CARTER
2	2-02155	VTBEI M6X16	ROUNDED HEAD SCREW SOCKET M6X16
3	4-118275	SUPPORTO ILLUMINATORE	ILLUMINATOR SUPPORT
4	463632	VATBIC FLANGIATA M3X8	ROUNDED HEAD SCREW TAPPING CORSS CUT M3X8
5	2-80171	VATBIC D.3,9X9,5	ROUNDED HEAD SCREW TAPPING CROSS CUT D.3,9X9,5
6	5-104879	SK FLASH-DRV	FLASH-DRV BOARD
7	2-02146	VTBEI M4X12	ROUNDED HEAD SCREW SOCKET M4X12
8	5-106037	ILLUMINATORE +TCAM	COVER
9	2-02965	VATSPIC M2,5X10	TAPPING SCREW PLAT SOCKET CSK M2,5X10
10	2-00208	RONDELLA D.3	WASHER D.3
11	2-03103	VATCCIC M5X20	SCREW TAPPING HEAD CUTTING CIRCULAR CROSS M5X20
12	4-107147	SUPPORTO TELECAMERA	CAMERA SUPPORT
13	4-107146	OTTICA	OPTICAL
14	4-107145	TELECAMERA	CAMERA
15	4-107142	CAVO 4X0,5 L.1000mm	CABLE 4X0,5 L.1000mm
16	4-107148	CAVO TELECAMERA L.1500mm	CAMERA CABLE L.1500mm

GRUPPO ILLUMINATORE EM9980

EM9980 LIGHTING GROUP

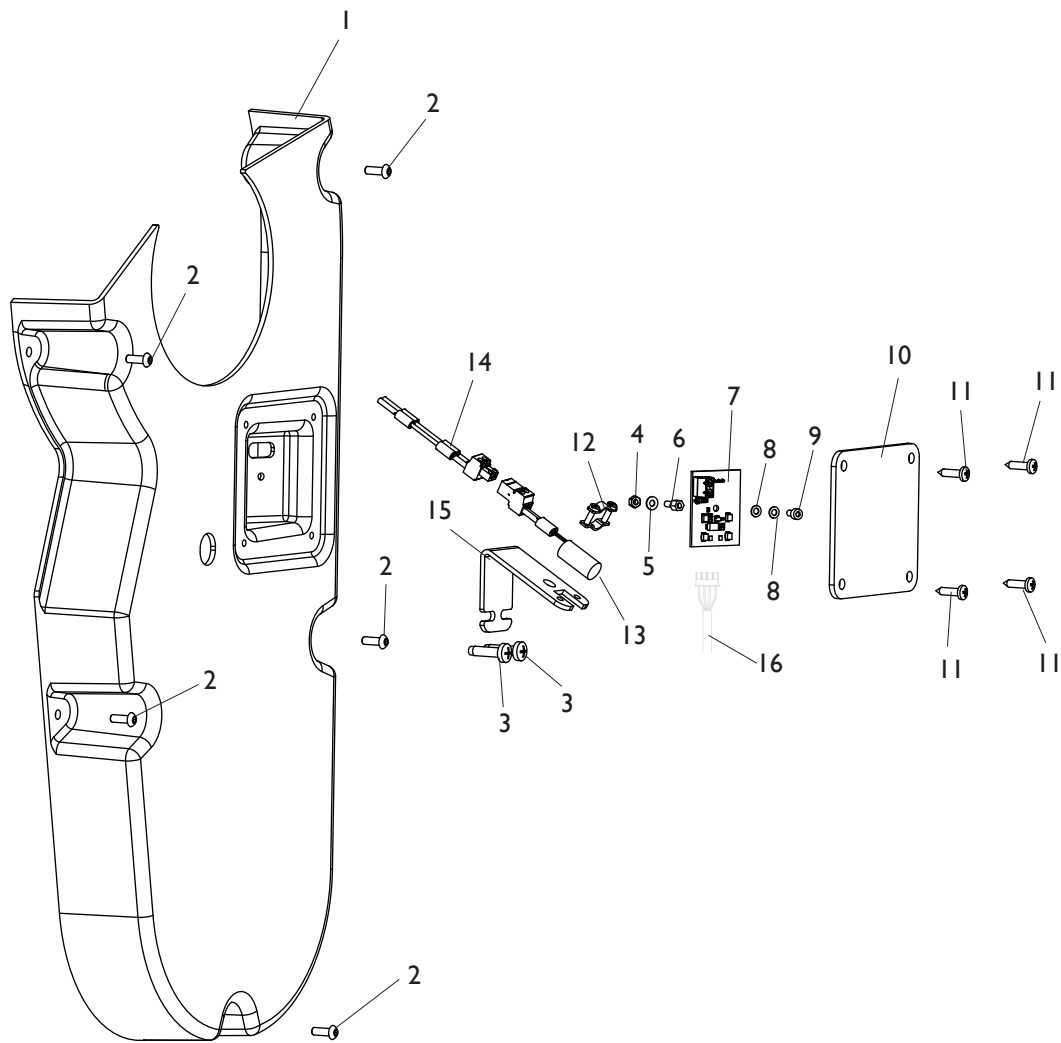


[TORNA AL COMPLESSIVO](#)
[RETURNS TO OVERALL](#)

Rif. Ref.	Codice Code	Descrizione	Description
1	5-120060	CARTER PROTEZIONE	PROTECTION COVER
2	2-02155	VTBEI M6X16	ROUNDED HEAD SCREW SOCKET M6X16
3	2-80171	VATBIC D.3,9X9,5	ROUNDED HEAD SCREW TAPPING CROSS CUT D.3,9X9,5
4	2-02146	VTBEI M4X12	ROUNDED HEAD SCREW SOCKET M4X12
5	2-00208	RONDELLA D.3	WASHER D.3
6	2-00142	DADO ES.N. M3	NORMAL HEXAGON NUT M3
7	436072	DISTANZIALE M3	SPACER M3
8	4-113647	SK ILLUMINATORE	LIGHTING P.C. BOARD
9	448482	RONDELLA D.3	WASHER D.3
10	2-00284	VTCEI M3X6	CIRCULAR SOCKET HEAD SCREW M3X6
11	4-116237	PROTEZIONE SK	BOARD PROTECTION
12	2-94134	VATBIC D.3,9X16	ROUNDED HEAD SCREW TAPPING CROSS CUT D.3,9X16
13	4-116235	CARTER	COVER
14	4-113078	CAVO L.2000mm	CABLE L.2000mm

GRUPPO ILLUMINATORE EM9580-EM9550

EM9580-EM9550 LIGHTING GROUP

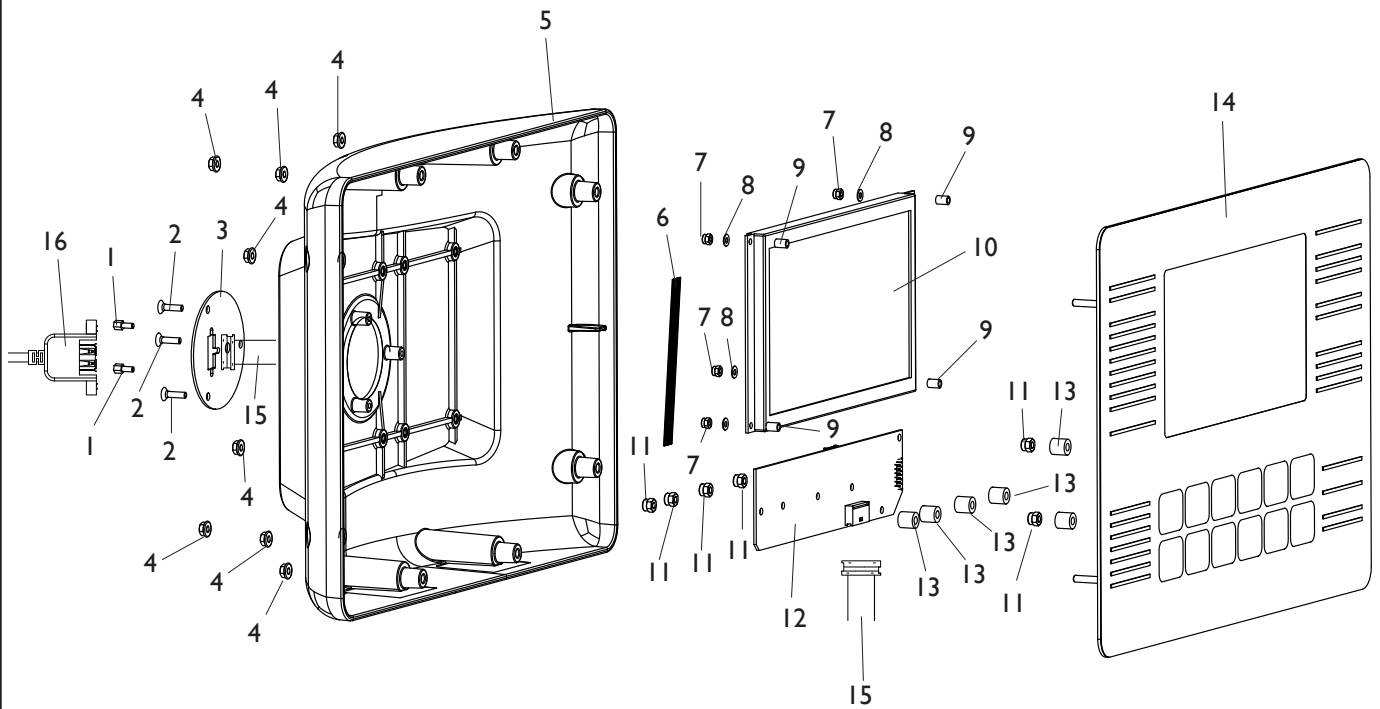


TORNA AL COMPLESSIVO
RETURNS TO OVERALL

Rif. Ref.	Codice Code	Descrizione	Description
1	5-120061	CARTER	COVER
2	2-02146	VTBEI M4X12	ROUNDED HEAD SCREW SOCKET M4X12
3	2-03103	VATCCIC M5X20	SCREW TAPPING HEAD CUTTING CIRCULAR CROSS M5X20
4	2-00142	DADO ES.N. M3	NORMAL HEXAGON NUT M3
5	2-00208	RONDELLA D.3	WASHER D.3
6	436072	DISTANZIALE M3	SPACER M3
7	4-113647	SK ILLUMINATORE	LIGHTING P.C. BOARD
8	448482	RONDELLA D.3	WASHER D.3
9	2-00284	VTCEI M3X6	CIRCULAR SOCKET HEAD SCREW M3X6
10	4-116237	PROTEZIONE SK	BOARD PROTECTION
11	2-94134	VATBIC D.3,9X16	ROUNDED HEAD SCREW TAPPING CROSS CUT D.3,9X16
12	3-02950	CLIP IN METALLO	METAL CLIP
13	5-120308	DIODO LASER	DIODE LASER
14	4-117954	CAVO 2X0,5 2P L.600mm	CABLE 2X0,5 2P L.600mm
15	4-116240	SUPPORTO DIODO	SUPPORT DIODE
16	4-113078	CAVO L.2000mm	CABLE L.2000mm

GRUPPO DISPLAY EM9550

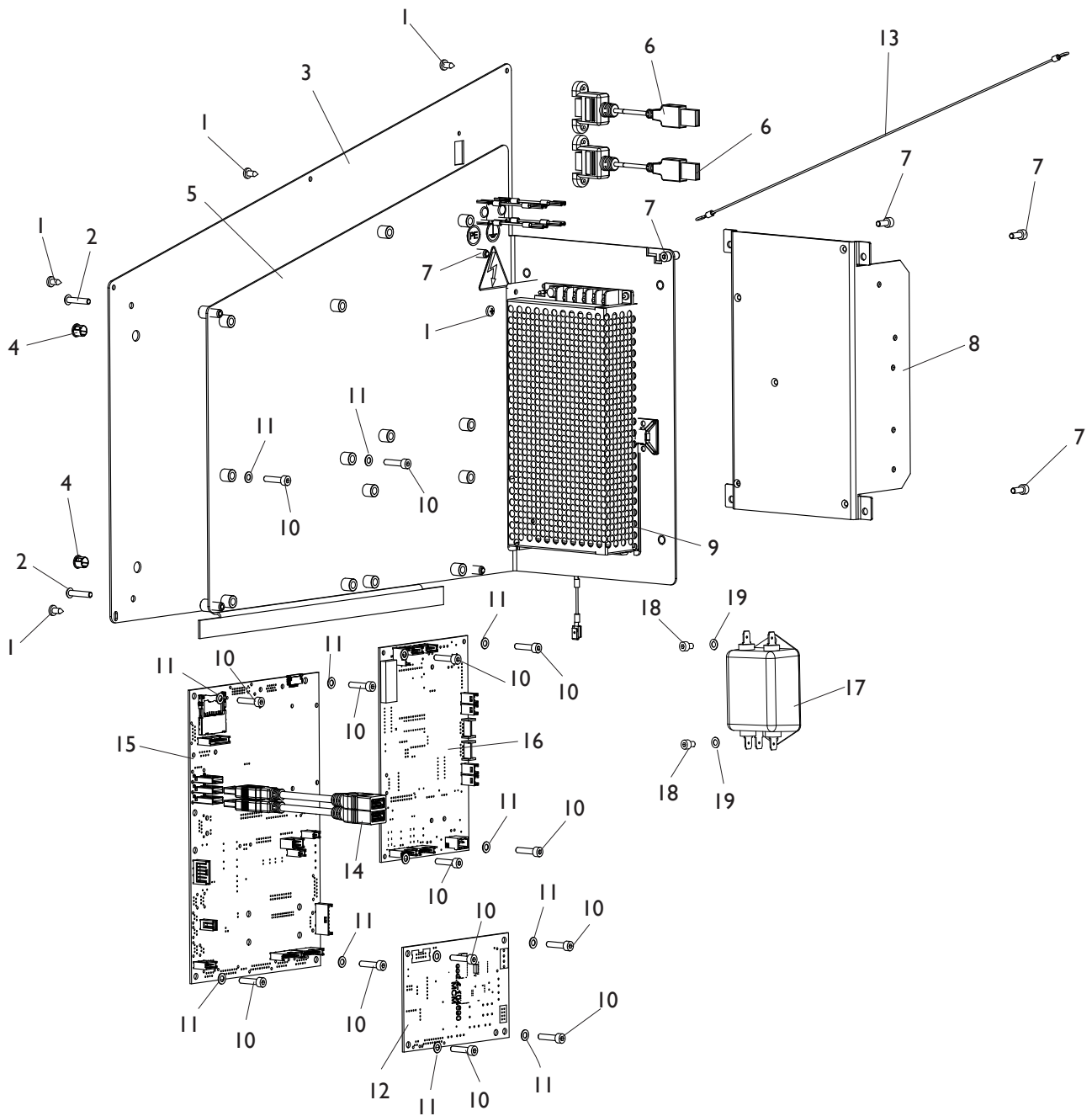
EM9550 DISPLAY GROUP



TORNA AL COMPLESSIVO
RETURNS TO OVERALL

Rif. Ref.	Codice Code	Descrizione	Description
1	431812	COLONNETTA	COLUMN
2	2-03087	VATSPIC D.3,5X14	TAPPING SCREW CROSS CUT FLAT CSK D.3,5X14
3	4-118213	PIASTRA FISSAGGIO CONN.VASHETTA 9P	PLATE CONNECTOR 9P
4	2-80078	DADO ES.FLANGIATO M4	HEXAGON NUT M4
5	4-118220	TESTATA DISPLAY	DISPLAY HEAD
6	4-118258	FLAT 10VIE L.152mm	FLAT CABLE 10-WAY L.152mm
7	2-01017	DADO ES.N.A. M3	NORMAL AUTOLOCKING HEXAGON NUT M3
8	2-00208	RONDELLA D.3	WASHER D.3
9	33021053	DISTANZIALE	SPACER
10	4-104694	SK VISUALIZZAZIONE LCD	LCD DISPLAY P.C. BOARD
11	2-01018	DADO ES.N.A. M4	NORMAL AUTOLOCKING HEXAGON NUT M4
12	5-103504	SK INTERFACCIA TASTIERA	KEYBOARD INTERFACE P.C. BOARD
13	438996	DISTANZIALE	SPACER
14	4-118120	PANNELLO DISPLAY	DISPLAY PANEL
15	4-106053	FLAT L.300mm	FLAT CABLE L.300mm
16	4-106012	CAVO PROLUNGA A VASH. 9P L.2000mm	EXTENTION CABLE 9P L.2000mm

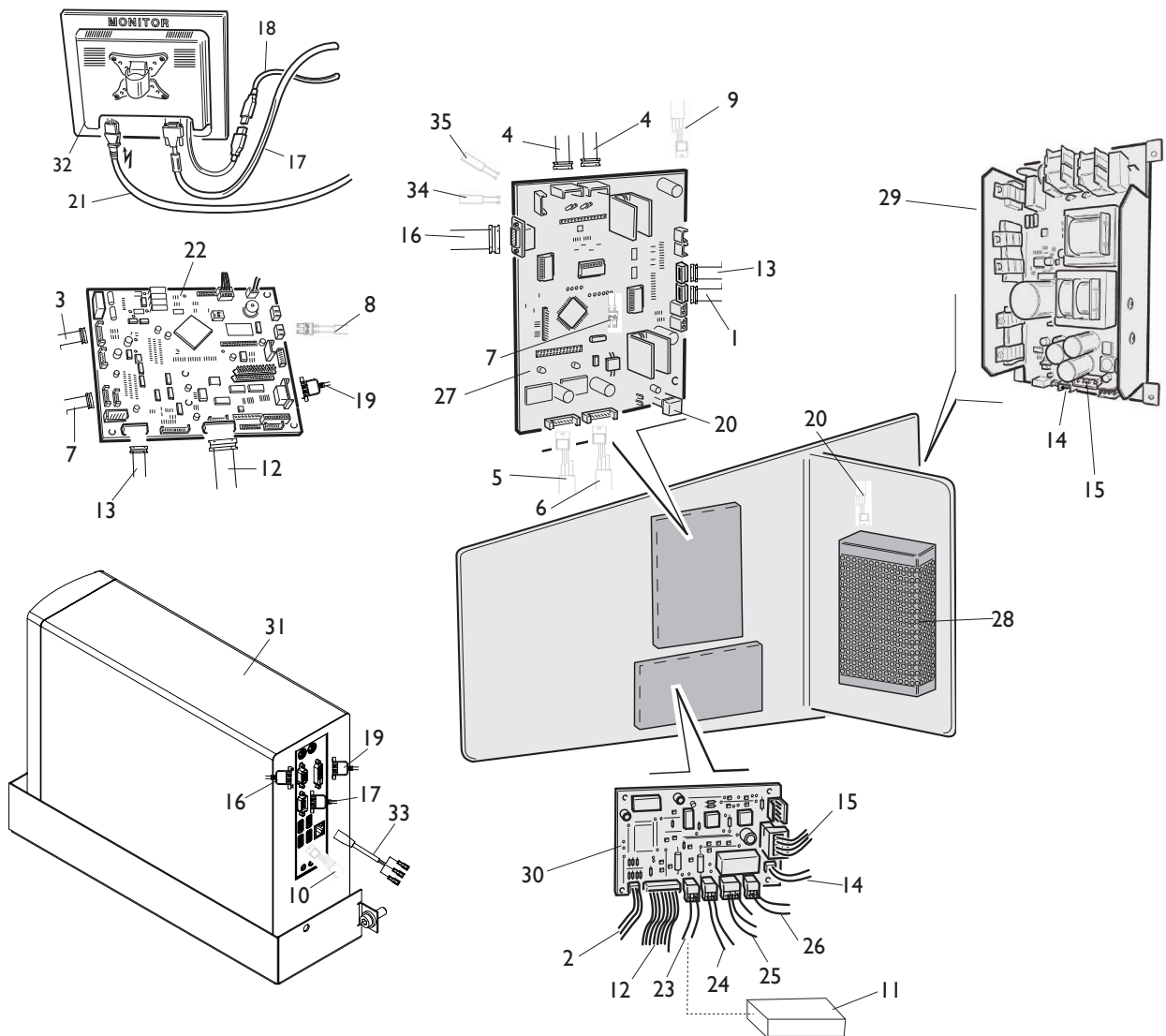
PANNELLO ELETTRICO ELECTRIC PANEL



[TORNA AL COMPLESSIVO](#)
[RETURNS TO OVERALL](#)

Rif. Ref.	Codice Code	Descrizione	Description
1	2-80171	VATBIC D.3,9X9,5	ROUNDED HEAD SCREW TAPPING CROSS CUT D.3,9X9,5
2	2-02164	VTBEI M4X20	ROUNDED HEAD SCREW SOCKET M4X20
3	4-117523	PANNELLO DI CHIUSURA	CLOSING PANEL
4	445294	TAPPO NERO D.7,9	BLACK PLUG D.7,9
5	5-120062	SUPPORTO SK	SUPPORT BOARDS
6	4-113407	CAVO PROLUNGA USB	CABLE USB EXTENSION
7	2-02080	VTCEI M4X10	CIRCULAR SOCKET HEAD SCREW M4X10
8	5-102761B	SK ALIMENTATORE	POWER SUPPLY BOARD
9	3-10019	ALIMENTATORE 150W 24V	POWER SUPPLY 150W 24V
10	2-80099	VTCEI M4X18	CIRCULAR SOCKET HEAD SCREW M4X18
11	2-03363	ROSETTA D.4	WASHER D.4
12	5-120263	SK MOTORI (MCM)	MOTOR P.C.. BOARD (MCM)
13	4-117188	CAVO CASSETTA ELETTRICA	CABLE ELECTRICAL BOX
14	1060127	CAVO PROLUNGA USB	CABLE USB EXTENSION
15	5-121042	SK MBUGRF-2 EM9980	P.C. BOARD MBUGRF-2 EM9980
15	5-120065	SK MBUGRF-2 EM9580	P.C.BOARD MBUGRF-2 EM9580
15	5-120064	SK MBU 32F EYE-LIGHT	P.C.BOARD MBU 32F EYE-LIGHT
15	5-120066	SK MBU 32F EM9550	P.C.BOARD MBU 32F EM9550
16	5-120067	SK ACQ-MUX EYE-LIGHT	P.C.BOARD ACQ-MUX EYE-LIGHT
16	5-120068	SK ACQ-MUX EM9980	P.C.BOARD ACQ-MUX EM9980
17	448914	FILTRO RETE 115/250V 6A	FILTER 115/250V 6A
18	2-02819	VTCEI M4X6	CIRCULAR SOCKET HEAD SCREW M4X6
19	2-03363	ROSETTA D.4	WASHER D.4

CABLAGGI ELETTRICI EYE-LIGHT EYE-LIGHT ELECTRICAL WIRING

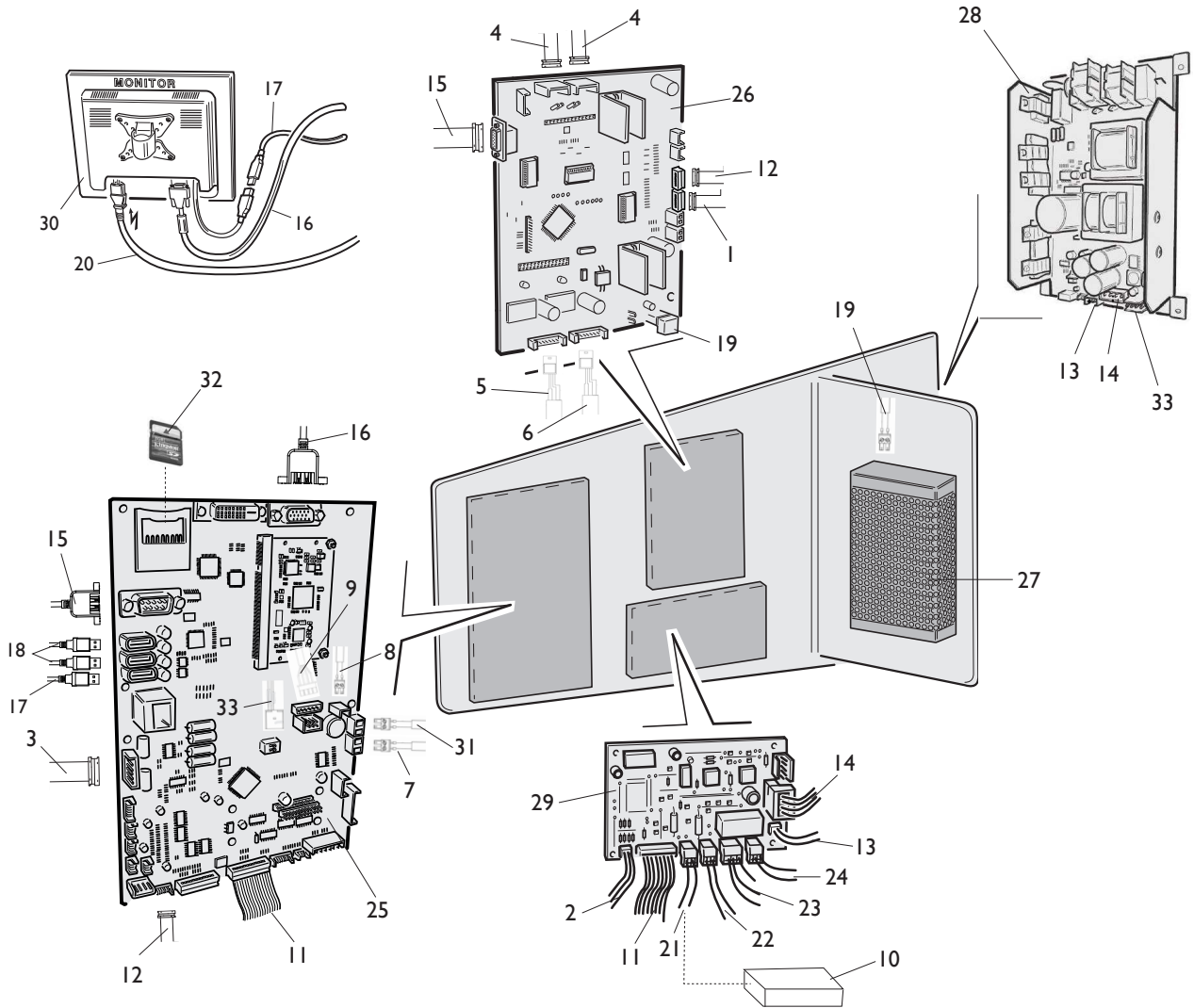


[TORNA AL COMPLESSIVO](#)
[RETURNS TO OVERALL](#)

Rif. Ref.	Codice Code	Descrizione	Description
1	449319	FLAT 8VIE L.1100mm	FLAT CABLE 8 WAY L.1100mm
2	4-102558	FLAT 4VIE L.800mm	FLAT CABLE 4 WAY L.800mm
3	5-103533	PICK-UP	PICK-UP
4	5-102440	CAVO SENSORE LASER	LASER SENSOR CABLE
5	4-118216	CAVO 4X0,22 6P L.650mm	CABLE 4X0,22 6P L.650mm
6	4-117895	CAVO 4X0,22 6P L.900mm	CABLE 4X0,22 6P L.900mm
7	4-118111	CAVO 2P L.1100mm	CABLE 2P L.1100mm
8	4-117894	CAVO 2X1 L.1500mm	CABLE 2X1 L.1500mm
9	4-107142	CAVO 4X0,5 L.1000mm	CABLE 4X0,5 L.1000mm
10	4-107148	CAVO TELECAMERA L.1500mm	CAMERA CABLE L.1500mm
11	4-118395	SK FILTRO LC	LC FILTER
12	4-109502	FLAT 18VIE L.250mm	FLAT CABLE 18-WAY L.250mm
13	4-118110	FLAT 8VIE L.650mm	FLAT CABLE 8-WAY L.650mm
14	4-111346	CAVO ALIMENTAZIONE MCM-MBU 32F	POWER CABLE MCM-MBU32F
15	4-105030	CAVO ALIMENTAZIONE SWITCH-MCM 48V	POWER CABLE SWITCH-MCM 48V
16	442198	CAVO SERIALE 9PIN L.2000mm	SERIAL CABLE 9PIN L.2000mm
17	4-107133	CAVO PROLUNGA A VASH. 15HD L.3000mm	EXTENTION CABLE 15HD L.3000mm
18	1060127	CAVO PROLUNGA USB	CABLE USB EXTENSION
19	4-105051	CAVO SERIALE RS232	SERIAL CABLE RS232
20	4-107112	CAVO 2P L.500mm	CABLE 2P L.500mm
21	4-117898	CAVO ALIMENTAZIONE F. PRESA VDE	VDE POWRE CABLE
22	5-120064	SK MBU 32F	P.C.BOARD MBU 32F
23	5-104252	FRENO	BRAKE
24	5-101987	FRIZIONE	CLUTCH
25	5-103007	MOTORE 48V	MOTOR 48V
26	4-105403	MOTORIDUTTORE	MOTOR GEAR
27	5-120067	SK ACQ-MUX	P.C.BOARD ACQ-MUX
28	3-10019	ALIMENTATORE 150W 24V	POWER SUPPLY 150W 24V
29	5-102761B	SK ALIMENTATORE	POWER SUPPLY BOARD
30	5-120263	SK MOTORI (MCM)	MOTOR P.C.. BOARD (MCM)
31	4-130303	PC ASEM	PC ASEM
32	4-118435	MONITOR TOUCHSCREEN	TOUCHSCREEN MONITOR
33	4-107769	CAVO ALIMENTAZIONE PC	PC POWER SUPPLY CABLE
34	4-130327	CAVO ELETTRIMAGNETE	ELECTROMAGNET CABLE
35	4-109501	CAVO 2P L.1400mm	CABLE 2P L.1400mm

CABLAGGI ELETTRICI EM9980

EM9980 ELECTRICAL WIRING

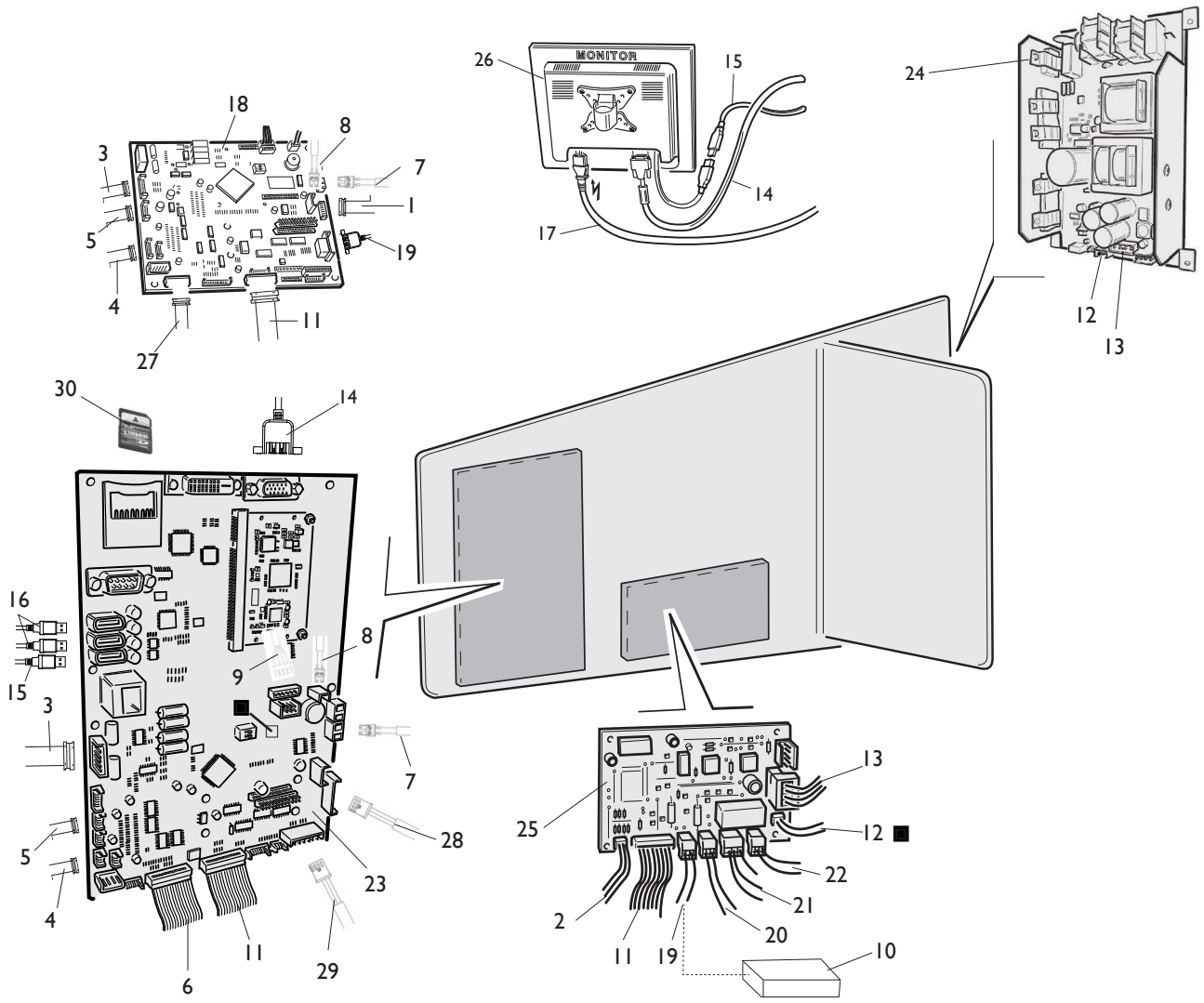


[TORNA AL COMPLESSIVO](#)
[RETURNS TO OVERALL](#)

Rif. Ref.	Codice Code	Descrizione	Description
1	449319	FLAT 8VIE L.1100mm	FLAT CABLE 8 WAY L.1100mm
2	4-102558	FLAT 4VIE L.800mm	FLAT CABLE 4 WAY L.800mm
3	5-103533	PICK-UP	PICK-UP
4	5-102440	CAVO SENSORE LASER	LASER SENSOR CABLE
5	4-118216	CAVO 4X0,22 6P L.650mm	CABLE 4X0,22 6P L.650mm
6	4-117895	CAVO 4X0,22 6P L.900mm	CABLE 4X0,22 6P L.900mm
7	4-117894	CAVO 2X1 L.1500mm	CABLE 2X1 L.1500mm
8	4-109501	CAVO 2P L.1400mm	CABLE 2P L.1400mm
9	4-113078	CAVO L.2000mm	CABLE L.2000mm
10	4-118395	SK FILTRO LC	LC FILTER
11	4-109502	FLAT 18VIE L.250mm	FLAT CABLE 18-WAY L.250mm
12	4-118110	FLAT 8VIE L.650mm	FLAT CABLE 8-WAY L.650mm
13	4-132831	CAVO ALIMENTAZIONE 6X0.22 L.510mm	POWER CABLE 6X0.22 L.510mm
14	4-105030	CAVO ALIMENTAZIONE SWITCH-MCM 48V	POWER CABLE SWITCH-MCM 48V
15	442198	CAVO SERIALE 9PIN L.2000mm	SERIAL CABLE 9PIN L.2000mm
16	4-107133	CAVO PROLUNGA A VASH. 15HD L.3000mm	EXTENTION CABLE 15HD L.3000mm
17	1060127	CAVO PROLUNGA USB	CABLE USB EXTENSION
18	4-113407	CAVO PROLUNGA USB	CABLE USB EXTENSION
19	4-107112	CAVO 2P L.500mm	CABLE 2P L.500mm
20	4-117898	CAVO ALIMENTAZIONE F. PRESA VDE	VDE POWRE CABLE
21	5-104252	FRENO	BRAKE
22	5-101987	FRIZIONE	CLUTCH
23	5-103007	MOTORE 48V	MOTOR 48V
24	4-105403	MOTORIDUTTORE	MOTOR GEAR
25	5-121042	SK MBUGRF-2 EM9980	P.C. BOARD MBUGRF-2 EM9980
26	5-120068	SK ACQ-MUX	P.C. BOARD ACQ-MUX
27	3-10019	ALIMENTATORE 150W 24V	POWER SUPPLY 150W 24V
28	5-102761B	SK ALIMENTATORE	POWER SUPPLY BOARD
29	5-120263	SK MOTORI (MCM)	MOTOR P.C.. BOARD (MCM)
30	4-118435	MONITOR TOUCHSCREEN	TOUCHSCREEN MONITOR
31	4-118689	CAVO 2P L.1100mm	CABLE 2P L.1100mm
32	5-120229	SD	SD
33	4-132830	CAVO 2XAWG 22 L.400mm	CABLE 2XAWG 22 L.400mm

CABLAGGI ELETTRICI EM9580-EM9550

EM9580-EM9550 ELECTRICAL WIRING

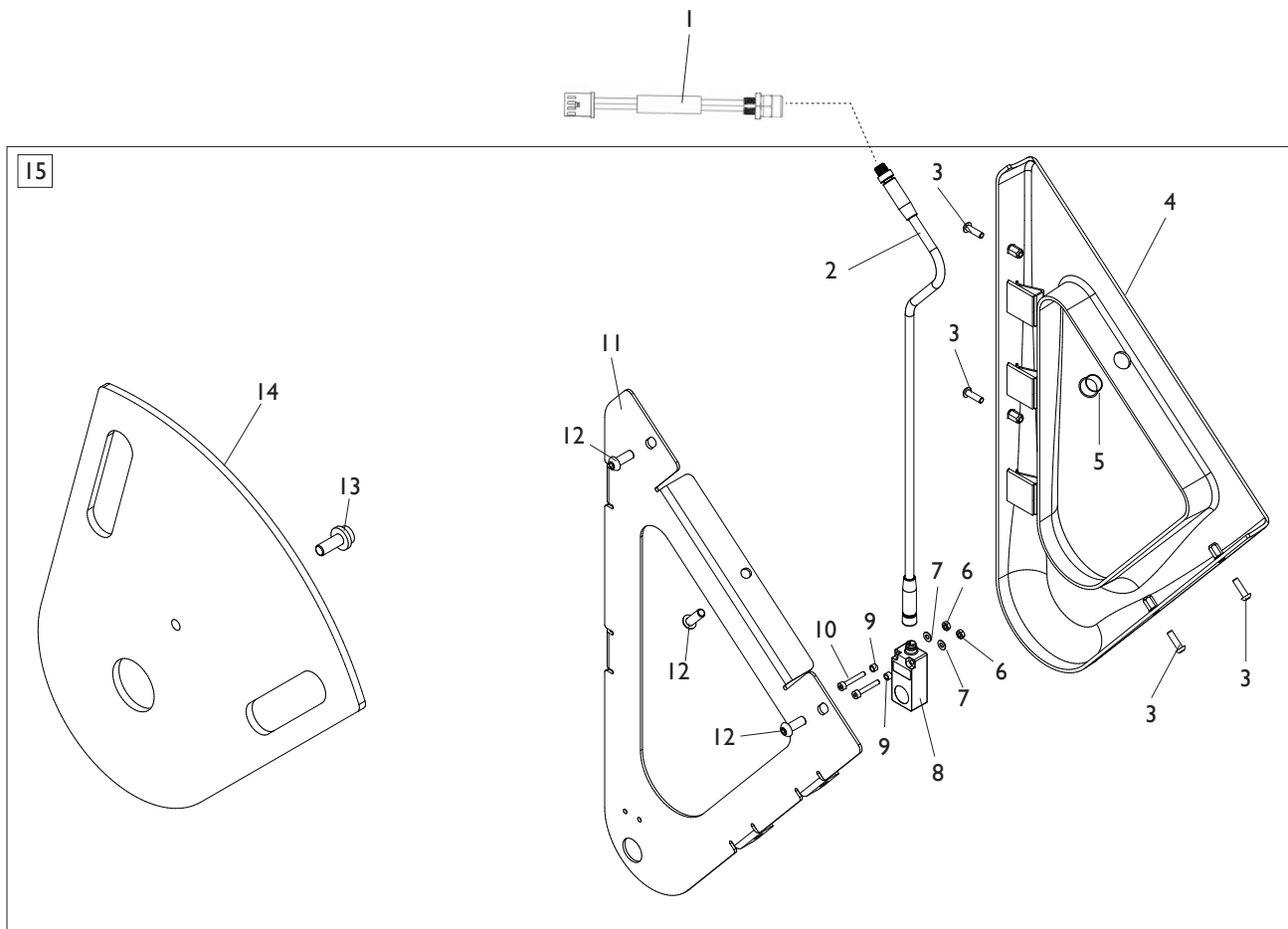


TORNA AL COMPLESSIVO
RETURNS TO OVERALL

Rif. Ref.	Codice Code	Descrizione	Description
1	449319	FLAT 8VIE L.1100mm	FLAT CABLE 8WAY L.1100mm
2	4-102558	FLAT 4VIE L.800mm	FLAT CABLE 4WAY L.800mm
3	5-103533	PICK-UP	PICK-UP
4	4-109588	FLAT 6VIE L.1100mm	FLAT CABLE 6-WAY L.1100mm
5	4-109760	FLAT 4VIE L.2200mm	FLAT CABLE 4-WAY L.2200mm
6	4-104684	FLAT 16VIE L.1400mm (EM9580)	FLAT CABLE 16-WAY L.1400mm (EM9550)
7	4-117894	CAVO 2X1 L.1500mm	CABLE 2X1 L.1500mm
8	4-109501	CAVO 2P L.1400mm	CABLE 2P L.1400mm
9	4-113078	CAVO L.2000mm	CABLE L.2000mm
10	4-118395	SK FILTRO LC	LC FILTER
11	4-109502	FLAT 18VIE L.250mm	FLAT CABLE 18-WAY L.250mm
12	4-111346	CAVO ALIMENTAZIONE MCM-MBU 32F	POWER CABLE MCM-MBU32F
13	4-105030	CAVO ALIMENTAZIONE SWITCH-MCM 48V	POWER CABLE SWITCH-MCM 48V
14	4-107133	CAVO PROLUNGA A VASH. 15HD L.3000mm	EXTENTION CABLE 15HD L.3000mm
15	1060127	CAVO PROLUNGA USB	CABLE USB EXTENSION
16	4-113407	CAVO PROLUNGA USB	CABLE USB EXTENSION
17	4-117898	CAVO ALIMENTAZIONE F. PRESA VDE	VDE POWRE CABLE
18	5-120066	SK MBU 32F (EM9550)	P.C.BOARD MBU 32F (EM9550)
19	5-104252	FRENO	BRAKE
20	5-101987	FRIZIONE	CLUTCH
21	5-103007	MOTORE 48V	MOTOR 48V
22	4-105403	MOTORIDUTTORE	MOTOR GEAR
23	5-120065	SK MBUGRF-2 (EM9580)	P.C.BOARD MBUGRF-2 (EM9580)
24	5-102761B	SK ALIMENTATORE	POWER SUPPLY BOARD
25	5-120263	SK MOTORI (MCM)	MOTOR P.C.. BOARD (MCM)
26	3-00673	MONITOR 22" LCD/LED WIDE (EM9580)	LCD MONITOR 22" (EM9580)
27	4-106053	FLAT L.300mm (EM9550)	FLAT CABLE L.300mm (EM9550)
28	4-118394	CAVO SONAR	SONAR CABLE
29	4-118382	FLAT 4VIE L.350mm	FLAT CABLE 4-WAY L.350mm
30	5-120465	SD EM9580 (FINO A 04/2014)	SD EM9580 (UP TO 04/2014)
30	5-120649	SD EM9580 (DA 05/2014 A 01/2015)	SD EM9580 (SINCE 05/2014 UP TO 01/2015)
30	5-106367	SD EM9580 (DA 02/2015)	SD EM9580 SINCE (02/2015)

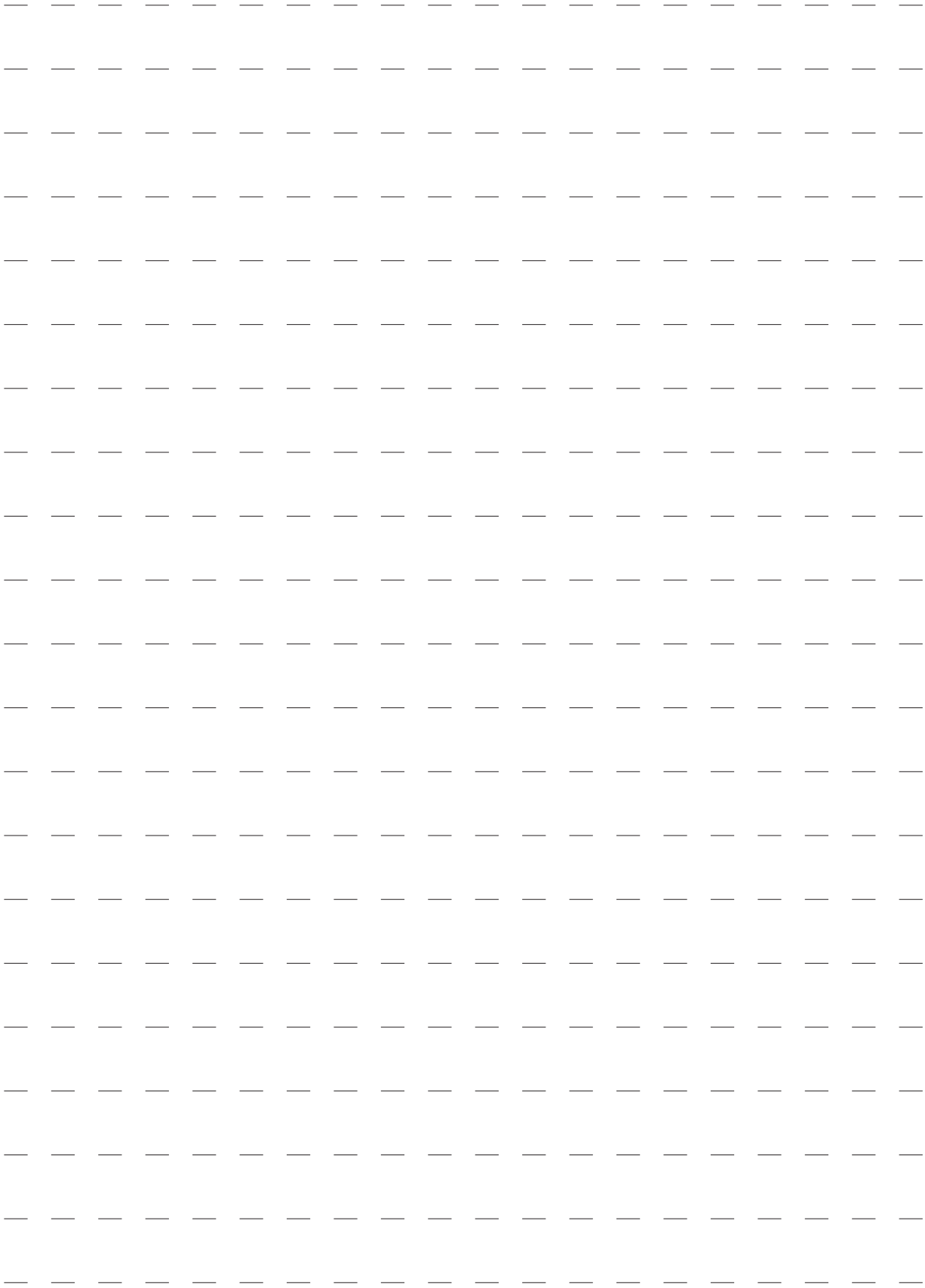
GRUPPO SONAR EM9580-EM9550

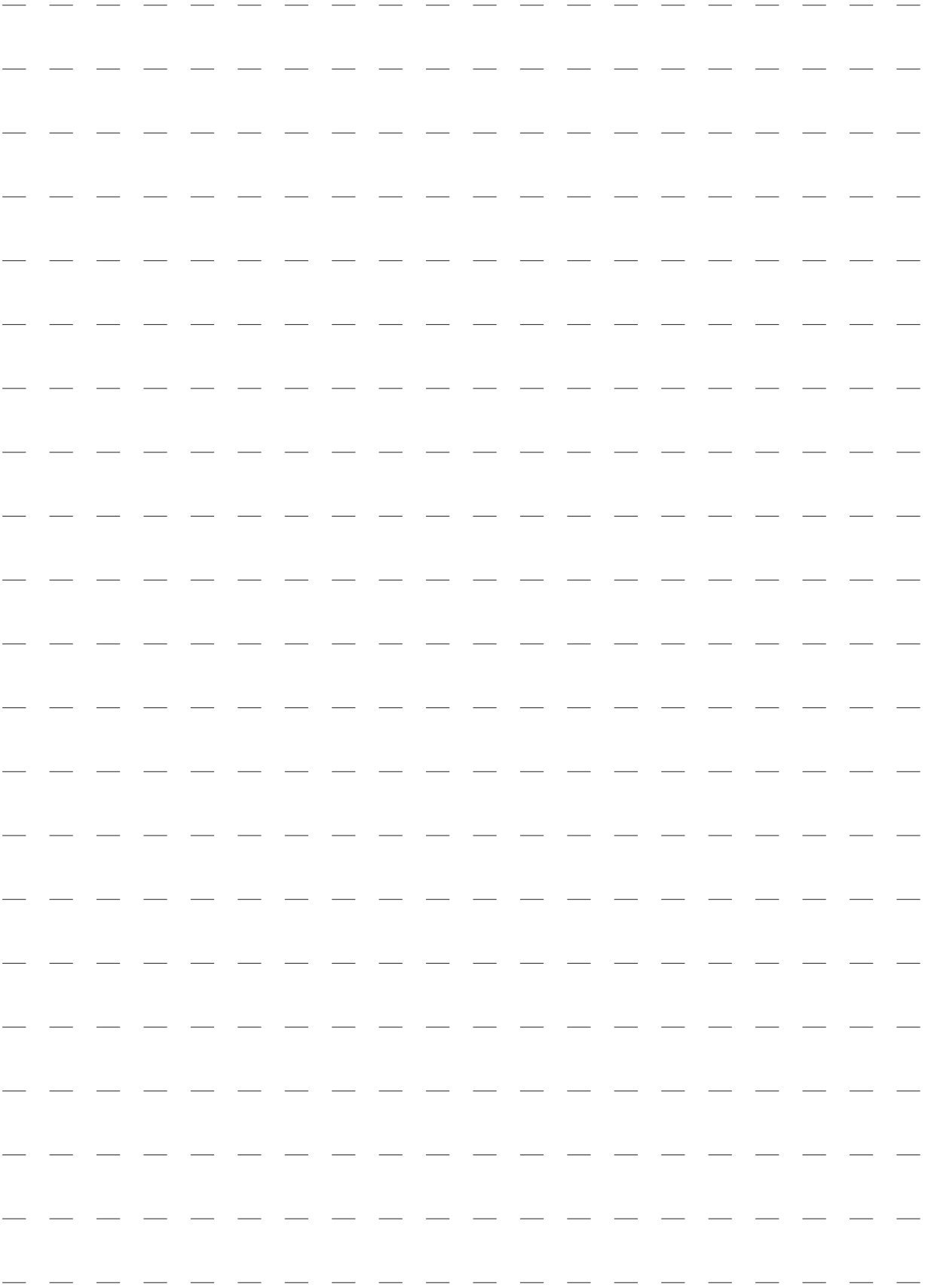
EM9580-EM9550 SONAR GROUP



[TORNA AL COMPLESSIVO](#)
[RETURNS TO OVERALL](#)

Rif. Ref.	Codice Code	Descrizione	Description
1	4-118394	CAVO SONAR-SK ALIM.	SONAR CABLE
2	4-118134	CAVO 4X0,35 M8 M-F	CABLE 4X0,35 M8
3	2-03494	VTBEI M4X14	ROUNDED HEAD SCREW SOCKET M4X14
4	4-117868	CARTER SENSORE	SENSOR COVER
5	435957	TAPPO NERO D.12,7	BLACK CAP D.12,7
6	2-71510	DADO ES.N. M3	NORMAL HEXAGON NUT M3
7	2-00208	RONDELLA D.3	WASHER D.3
8	4-117867	SONAR	SONAR
9	3-02948	DISTANZIALE D.3,2X4,8X3,2	SPACER D.3,2X4,8X3,2
10	2-01150	VTCEI M3X20	CIRCULAR SOCKET HEAD SCREW M3X20
11	5-120478	LAMIERA SUPPORTO SENSORE	SENSOR SUPPORT
12	2-02155	VTBEI M6X16	ROUNDED HEAD SCREW SOCKET M6X16
13	457693	VTCEI CON COLLARE M8X20	CIRCULAR SOCKET HEAD SCREW M8X20
14	4-118355	CALIBRATORE	CALIBRATOR
15	8-21100232	GRUPPO SONAR	SONAR GROUP







Via per Carpi, n°9 - 42015 Correggio (RE) ITALY
Tel. ++39 0522 639111 - Fax ++39 0522 639150
www.corgchi.com - info@corgchi.com

Code 4-I17243E

Production date : 02 / 2015

Il disegno è realizzato con tutti i particolari ma solo quelli codificati sono forniti come ricambi. L'Azienda si riserva la facoltà di apportare modifiche senza preavviso.

The drawing shows all parts but only the coded parts are supplied as spares. The Company reserves the right to make modifications without prior notice.