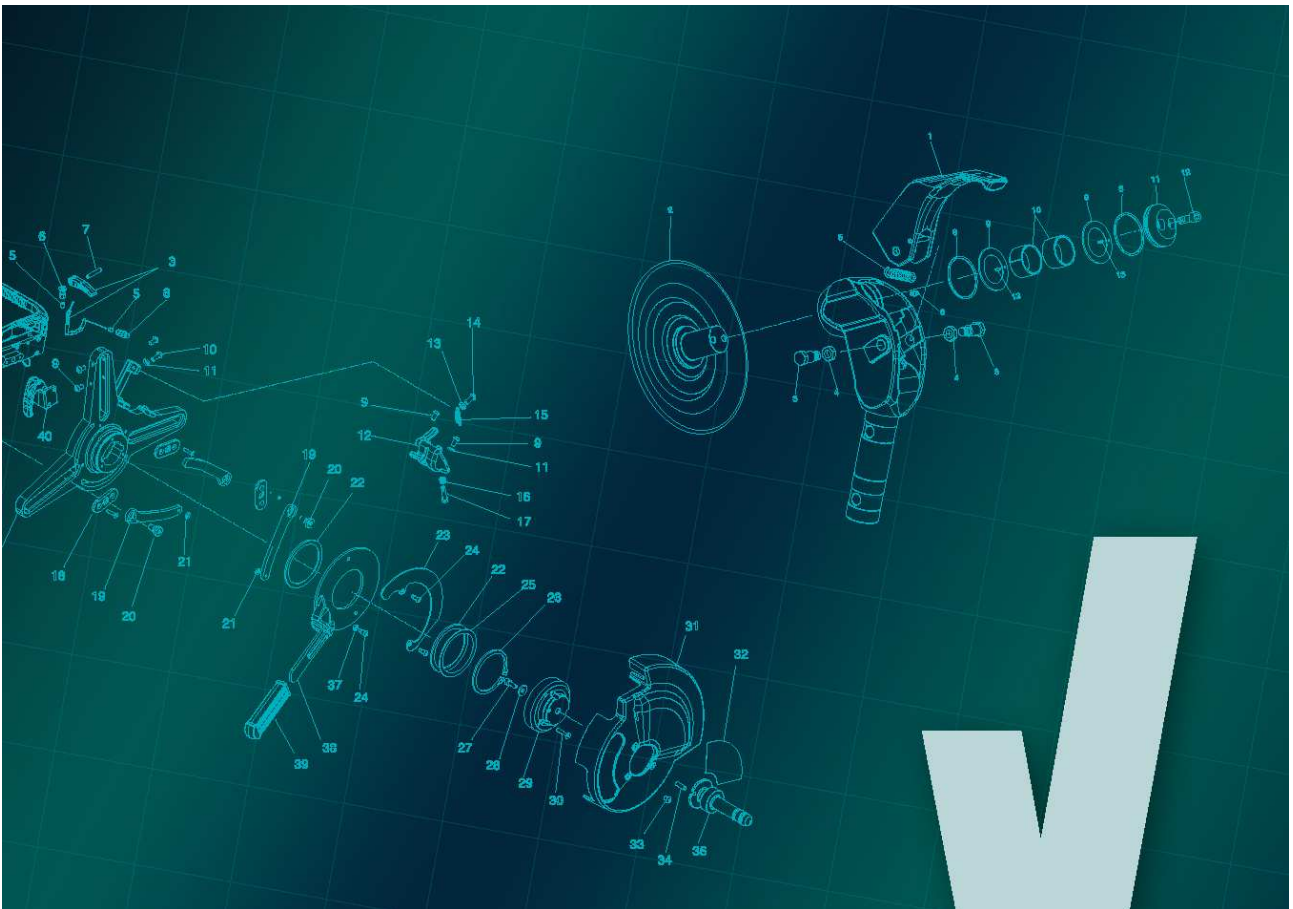


# Catalogo ricambi

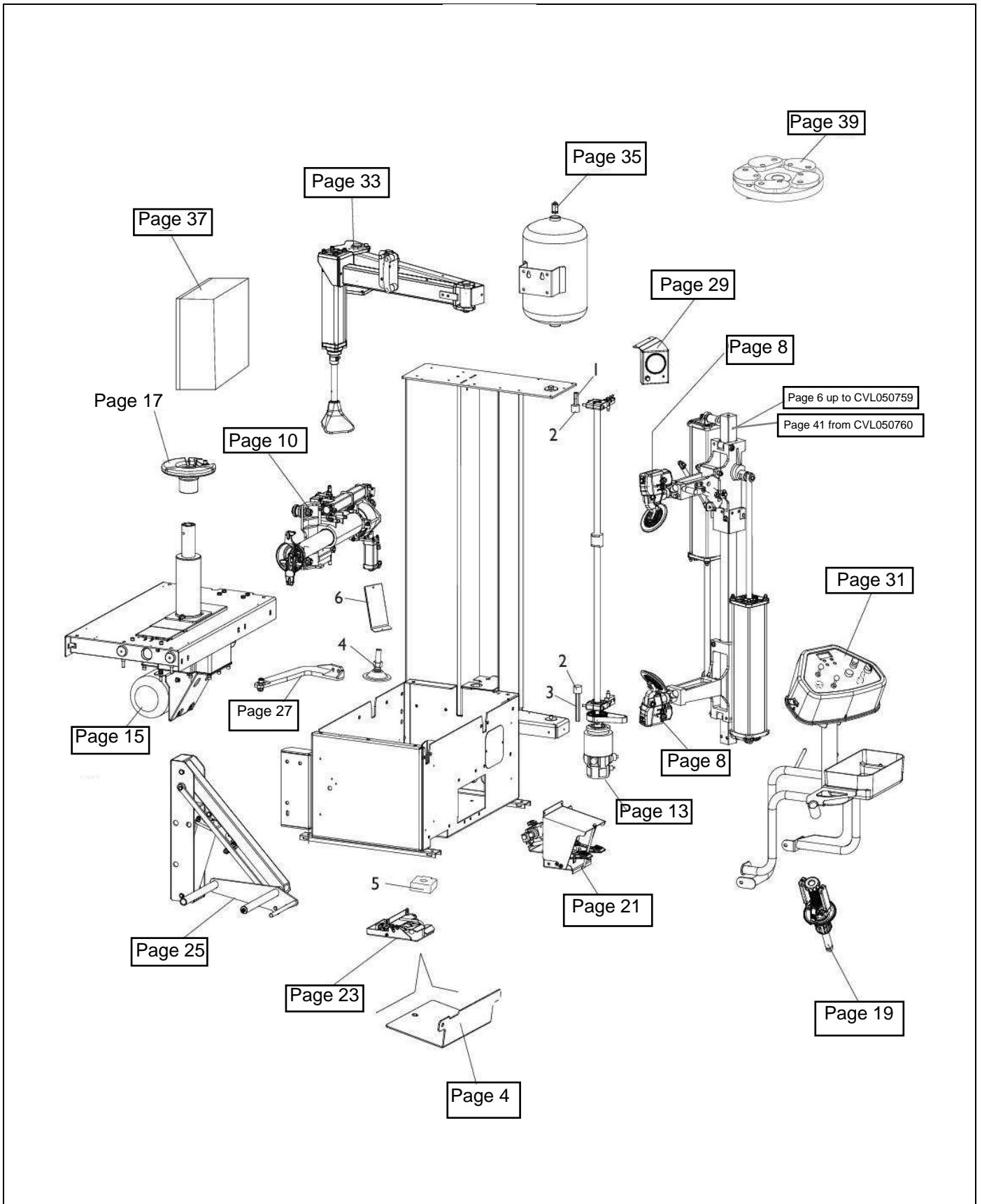
# Spare Parts



## ARTIGLIO MASTER J

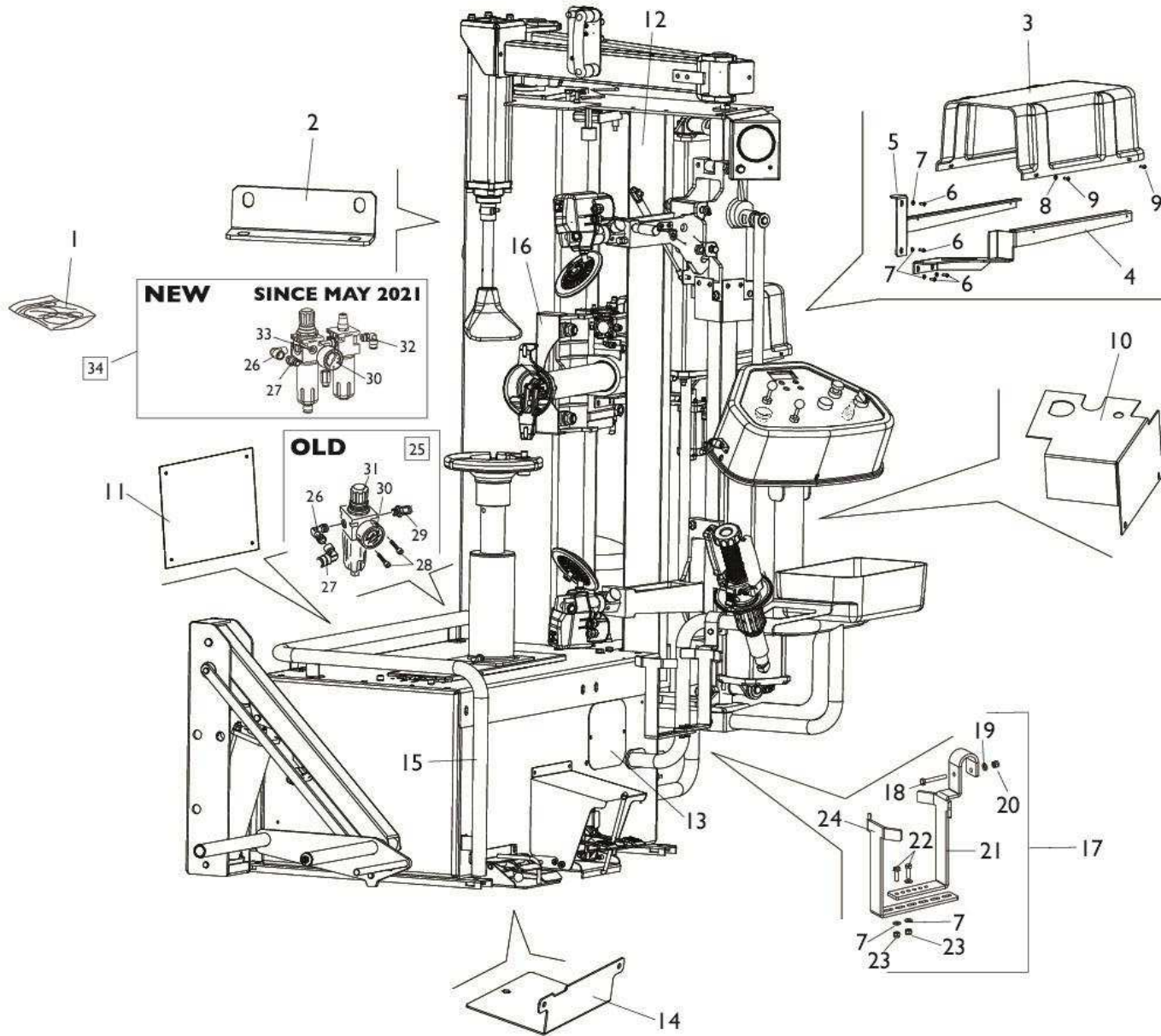
11/2025 (4-118264C)

# ARTIGLIO MASTER J



Rif. Ref.	Codice Code	Descrizione	Description
1	361607	DISTANZIALE M8 H45	SPACER M8 H45
2	461612	ANTIVIBRANTE 30X25 M8X20	ANTIVIBRATION 30X25 M8X20
3	361606	COLONNETA ESAGONALE LUNGA	LONG COLUMN HEX
4	5-102660	PIEDE REGOLABILE	FOOT
5	422019A	PIEDE	RUBBER FOOT
6	5-103591	SPECCHIO	MIRROR
7	000006	000006	000006
8	000008	000008	000008
9	000010	000010	000010
10	000012	000012	000012
11	000014	000014	000014
12	000016	000016	000016
13	000018	000018	000018
14	000022	000022	000022
15	000026	000026	000026
16	000030	000030	000030
17	000032	000032	000032
18	000034	000034	000034
19	000036	000036	000036
20	000038	000038	000038
21	000040	000040	000040
22	000042	000042	000042
23	000044	000044	000044
24	000046	000046	000046
25	000048	000048	000048

# COVER GROUP

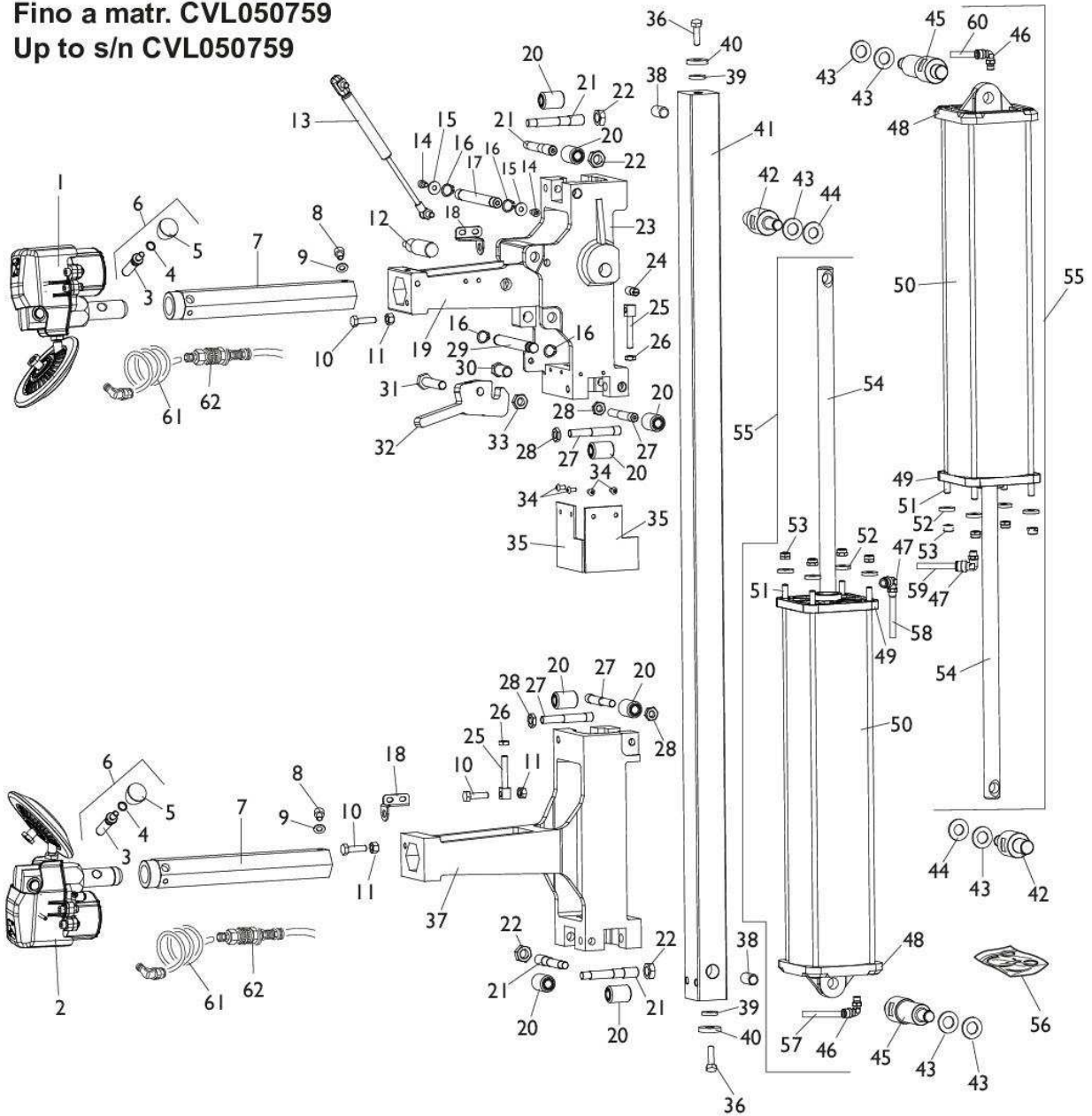


[Return to Overall](#)

Rif. Ref.	Codice Code	Descrizione	Description
1	5-120143	KIT ADESIVI MASTER J	MASTER J LABELS KIT
2	4-100181	SUPPORTO CASSETTA ELETTRICA	SUPPORT ELECTRICAL BOX
3	4-118119	COPERCHIO TESTINA	HEAD COVER
4	4-118123	SUPPORTO POSTERIORE	REAR SUPPORT
5	4-137511	SUPPORTO ANTERIORE	FRONT SUPPORT
6	2-00309	VTCEI M6X16	HEXAGON SOCKET HEAD SCREW M6X16
7	2-00211	RONDELLA D.6	WASHER FOR HEX CAP SCREW M6
8	2-00209	RONDELLA D.4	WASHER FOR HEX CAP SCREW M4
9	9002-02145	VTBEI ISO7380 BR M 4X 10	ROUNDED HEAD SCREW SOCKET M4X10
10	361269B/90	LAM.PROT.PULEGGIA -VERN-	SHEET METAL PULLEY GUARD
11	361246/90	LAM.COPERCHIO LATERALE -VERN-	LATERAL COVER
12	263115/00	LAMIERA PROTEZIONE LUNGA	PROTECTION SHEET LONG
12	263116	LAMIERA PROTEZIONE LUNGA (USA)	PROTECTION SHEET LONG (USA)
13	4-108481/00A	LAMIERA CHIUSURA LATERALE	LATERAL COVER
14	4-118132/00	LAMIERA CHIUS.PED SOLL. MASTER JOLLY	SHEET CLOSING PEDAL LIFTER
15	4-118157/00A	TUBO SUPERIORE D 30	TOP TUBE
16	361242/90	PROTEZIONE ROTELLE TESTINA -VERN-	SHEET METAL HEAD GUARD
17	5-101236	SUPP. PORTAGRASSO 3,5-5KG	GREASE SUPPORT 3,5-5KG
18	2-02802	VITE TE UNI 5737 M8 x 50	HEXAGON HEAD CAP SCREW M8X50
19	2-00212	RONDELLA D.8	WASHER FOR HEX CAP SCREW M8
20	2-01020	DADO AUTOBLOCCANTE M8	NUT WITH POLYAMIDE RING M8
21	4-103831/90	GANCIO	HOOK
22	2-02339	VITE TE 5739 M6X20	HEXAGON HEAD CAP SCREW M6X20
23	2-01257	DADO AUTOBLOCCANTE M6	NUT WITH POLYAMIDE RING M6
24	4-103832	LAMIERA FERMO	RETAINER PLANE
25	5-120233	FILTRO REGOLATORE	FILTER
26	3-00136	RACCPN-L-G1/4C-F	FITTING 1/4
27	3-00086	RACCPN-D-G1/4-GR7	FITTING 1/4
28	2-02643	VTCEI M4X40	CIRCULAR SOCKET HEAD SCREW 1/2 M4X40
29	3-00478	RACCPN-D-G1/4	FITTING 1/4
30	3-00488	MANOMETRO D.40 BAR/PSI	BAR/PSI D.40 PRESSURE GAUGE
31	3-00346	FILTRO 1/4 (0-10)	FILTER 1/4 (0-10)
32	3-00055	RACCORDO ORIENTAB. A L G1/4-T8	ORIENTING ELBOW FITTING 1/4 T8
33	2-02643	VTCEI M4X40	HEX. SOCKET HEAD SCREW M4X40
34	462929B	FILTRO REG PRES + LUB DX G1/4C +MANOM+INN.RAP.M	FILTER

# BEAD BREAKER GROUP

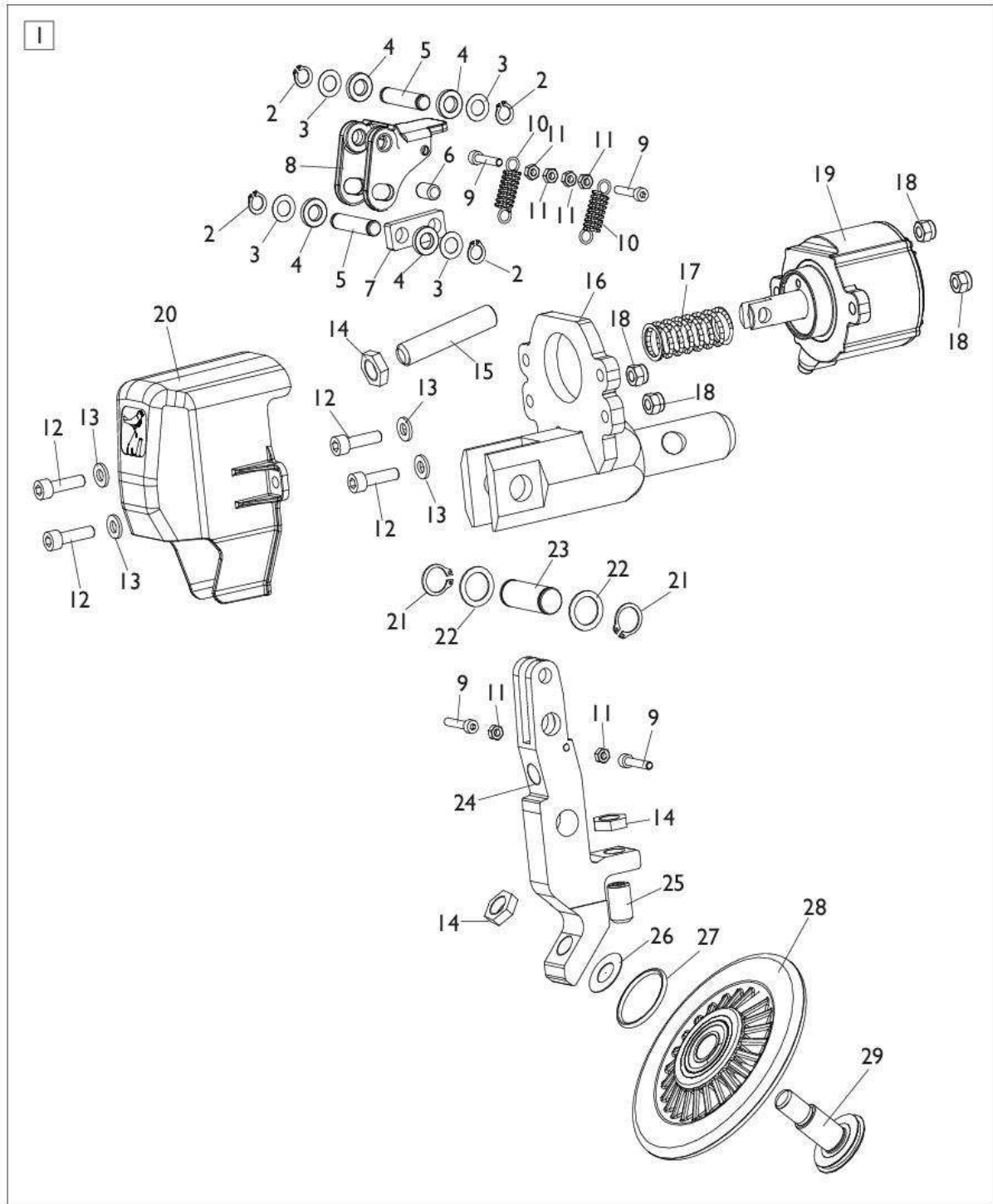
Fino a matr. CVL050759  
Up to s/n CVL050759



Return to Overall

Rif. Ref.	Codice Code	Descrizione	Description
1	5-105973A	DISCO STALL.SUP. MASTER JOLLY (SKF-NSK)	UPPER BEAD BREAKER DISC ASSEMBLY
2	5-105974A	DISCO STALL. INF.MASTER JOLLY (SKF-NSK)	LOWER BEAD BREAKER ASSEMBLY
3	4-108416A	PERNO BLOCCAGGIO PENETRAZIONE	LOCKING PIN PENETRATION
4	424617	OR D.9,25X1,78	O-RING D.9,25X1,78
5	3-02164	IMPUGNATURA M8	HANDLE M8
6	5-120146	PERNO BLOCCAGGIO PENETRAZIONE	PIN ASSEMBLY
7	4-118165A	ASTA ESAG CH 38 L 277	HEXAGONAL BAR
8	4-103071	VITE SPECIALE TCEI M8X8	SPECIAL SCREW M8X8
9	2-00212	RONDELLA D.8	WASHER FOR HEX CAP SCREW M8
10	320191	VITE SPECIALE TE M8X30	SPECIAL SCREW M8X30
11	2-00128	DADO ALTO M8	HIGH NUT M8
12	4-100168	MANIGLIA	HANDLE
13	4-118481	AMMORTIZZATORE	SHOCK ABSORB.
14	2-02151	VTBEI M6X8	ROUNDED HEAD SCREW SOCKET M6X8
15	2-00679	ROSETTA D 6X18X1,5	WASHER D.6X18X1,5
16	2-00026	SEEGER D.14	SEEGER D.14
17	361422	PERNO	PIN
18	4-108423/90	LAM. SUPPORTO RACCORDO -VERN-	FITTING SUPPORT
19	900361411	SUPP.BASCULANTE	SUPPORT
20	361396A	RULLO DE 23 DI 11 H 32 ACC PER ECCENTRICO	ECCENTRIC ROLLER
21	363190A	ECCENTRICO STALL.M14 -ad esaurimento-	ECCENTRIC M14
22	2-71520	DADO ES.B. M14X1,5	LOW HEXAGON NUT M14X1,5
23	900361410	SUPPORTO MOBILE -LAV-	MOBILE SUPPORT
24	361414A	ARRESTO	STOPPING
25	4-118166	PERNO DI FERMO	STOPPING PIN
26	2-00156	DADO BASSO M8	HEXAGON NUT M8
27	363191B	ECCENTRICO STALL.M10 -ad esaurimento-	ECCENTRIC M10
28	2-03127	DADO ES. M10X1,5	HEXAGON NUT M10X1,5
29	361423A	PERNO FULCRO	PIN
30	361398	BOCCOLA	BUSHING
31	2-94007	VTE 1/2F M12X60	HEX. SOCKET HEAD SCREW 1/2F M12X55
32	5-129841	GANCIO CON ECCENTRICO	HOOK
33	2-00158	DADO ES.B. M12	LOW HEXAGON NUT M12
34	2-02167	VITE TBEI ISO 7380 M5X10	SOCKET BUTTON HEAD SCREW M5X10
35	4-118637	GOMMA PROTEZIONE STALLONATORE	RUBBER
36	2-01225	VTE M12X25	HEXAGON SOCKET HEAD SCREW M12X25
37	361412D	SUPPORTO DISCO FISSO -LAV- -ad esaurimento-	FIXED SUPPORT
38	361419	BOCCOLA D.20X6,5	BUSHING D.20X6,5
39	360474	RONDELLA D.12,5X45X1,5	WASHER D.12,5X45X1,5
40	318216	RONDELLA D.12,5X50X4	WASHER D.12,5X50X4
41	4-100340	GUIDA	GUIDE
42	361393A	ATTACCO CILINDRO	CYLINDER FULCRUM PIN D.15
43	2-01045	RONDELLA D.16	WASHER D.16
44	345032	RONDELLA D.15,25X30X3	WASHER D.15,25X30X3
45	361392A	PERNO ATTACCO CILINDRO D35 x 127	CYLINDER FULCRUM PIN D.16
46	3-00055	RACCORDO ORIENTAB. A L G1/4-T8	ORIENTING ELBOW FITTING 1/4 T8
47	3-00059	RACCPN-LO-G1/8G-T8	FITTING 1/8
48	4-130671	FLANGIA POSTERIORE D.110	REAR FLANGE D.110
49	5-107559	FLANGIA ANTERIORE CON BOCCOLA	FRONT FLANGE WITH BUSHING
50	4-130680	CAMICIA D.110X495	LINER D.110X495
51	4-130682	TIRANTE M8X531,5	TIE ROD M8X531,5
52	339208	RONDELLA D.8,5X22X4	WASHER D.8,5X22X4
53	2-01137	DADO AUTOBLOCCANTE 7474 M8	NUT WITH POLYAMIDE RING M8
54	4-130681	STELO D.22X549,5	STEM D.22X549,5
55	261424C	CILINDRO PN 2 EFF DI 110 CORSA 454 DS 22 STALL	PNEUMATIC CYLINDER D. 110
56	245067A	KIT GUARN.CILINDRO D.110"ART2"	CYLINDER GASKET KIT D.110
57	4-118522	TUBO D.8 L.1000MM	HOSE D.8 L.1000MM
58	4-118521	TUBO D.8 L.1800MM	HOSE D.8 L.1800MM
59	4-118520	TUBO D.8 L.2200MM	HOSE D.8 L.2200MM
60	4-118519	TUBO D.8 L.2750MM	HOSE D.8 L.2750MM
61	4-103910	TUBO A SPIRALE	SPIRAL HOSE
62	3-01645	RACCPN-D-GRF5F-T6	FITTING T6

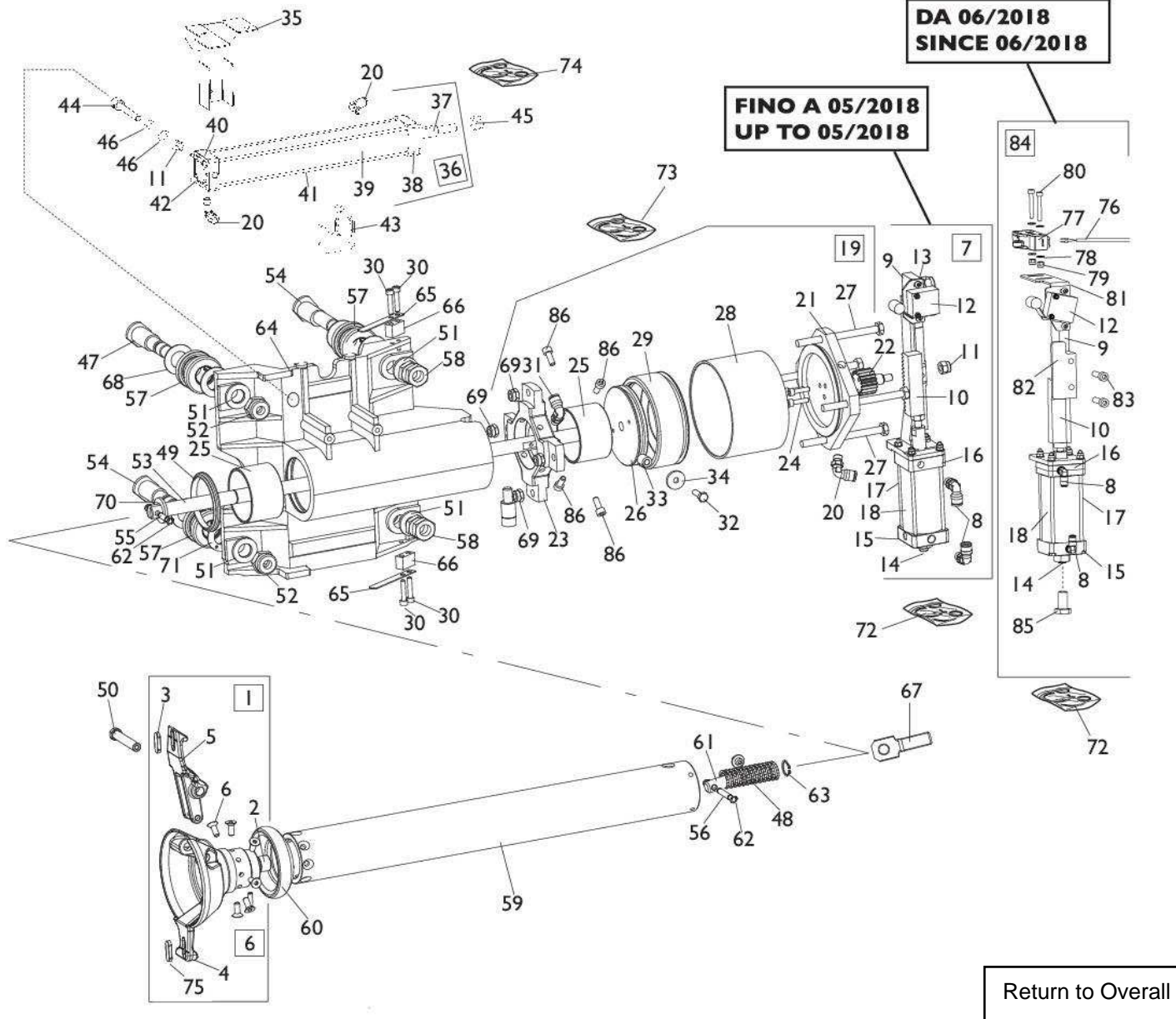
# BEAD BREAKER DISC GROUP



[Return to Overall](#)

Rif. Ref.	Codice Code	Descrizione	Description
1	5-105973A	DISCO STALL.SUP. MASTER JOLLY (SKF-NSK)	UPPER BEAD BREAKER DISC ASSEMBLY
1	5-105974A	DISCO STALL. INF.MASTER JOLLY (SKF-NSK)	LOWER BEAD BREAKER ASSEMBLY
2	2-00021	SEEGER D.8	SEEGER D.8
3	301694	RONDELLA D.14X8X0,2	WASHER D.14X8X0,2
4	339856	RONDELLA D.8,25X15X3	WASHER D.8,25X15X3
5	4-106224	PERNO	PIN
6	4-106234	PERNO FULCRO BIELLA	FULCRUM PIN
7	4-106199	BIELLA	CONNECTING ROD
8	4-106025	LAMIERA DI BLOCCO PENETRAZIONE	SHEET BLOCK
9	2-00927	VTCEI M4X22	CIRCULAR SOCKET HEAD SCREW M4X22
10	4-106238	MOLLA A TRAZIONE	SPRING
11	2-00143	DADO ESAGONALE M4	NUT M4
12	2-03814	VITE TCEI 4762 M6x22	CIRCULAR SOCKET HEAD SCREW M6X22
13	2-00211	RONDELLA D.6	WASHER FOR HEX CAP SCREW M6
14	4-106024	DADO SPECIALE M12	SPECIAL NUT M12
15	2-02398	VSTEI M12X60	CSK SCREW SOCKET M12X60
16	4-118170	SUPPORTO SUPERIORE	UPPER SUPPORT
16	4-118176	SUPPORTO INFERIORE	LOWER SUPPORT
17	4-106235	MOLLA D.20X45X2,2	SPRING D.20X45X2,2
18	2-01257	DADO AUTOBLOCCANTE M6	NUT WITH POLYAMIDE RING M6
19	5-102062A	CILINDRO PN 1 EFF DI 60 CORSA 18 I - DS 15	CYLINDER D.60
20	4-108676	CARTER	COVER
21	2-00026	SEEGER D.14	SEEGER D.14
22	435005	RONDELLA D.15X21X1	WASHER D.15X21X1
23	4-103723	PERNO	PIN
24	4-106181C	SUPPORTO DISCO STALL.	DISK SUPPORT
25	2-02096	VSTEI M12X20	CSK SCREW SOCKET M12X20
26	462117	RONDELLA D.12X24X0,5	WASHER D.12X24X0,5
27	421833	OR D.29,82X2,62	O-RING D.29,82X2,62
28	5-100688A	RULLO+CUSC.INF/SUP MAST.11/03 (SKF-NSK)	ROLLER
29	4-106180	PERNO ANTISVITAMENTO	PIN

# HEAD GROUP

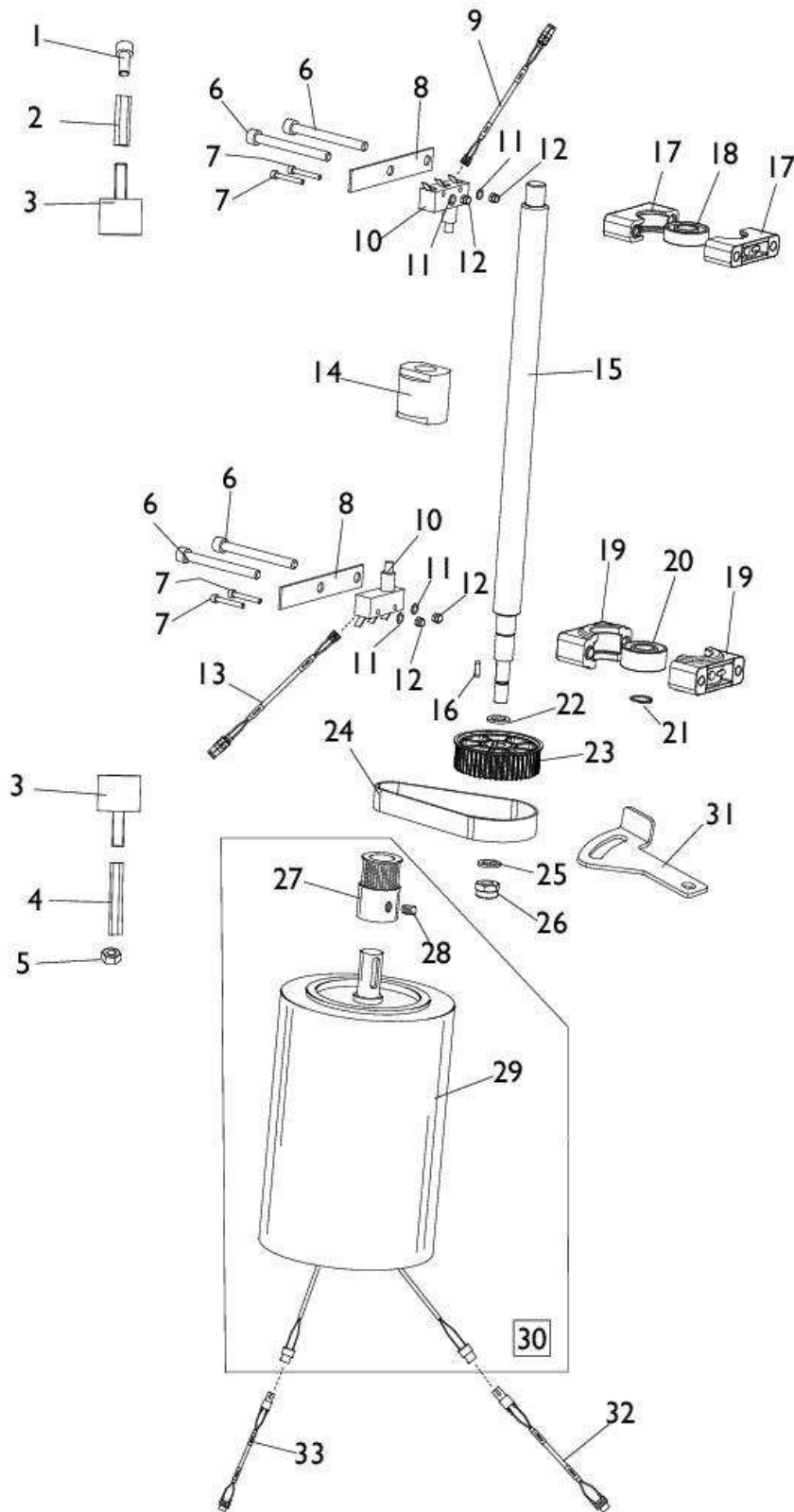


000012

Rif. Ref.	Codice Code	Descrizione	Description
1	900262390	TESTINA COMPLETA MASTER	HEAD ASSEMBLY
2	3-01158	BOCCOLA D.16X12	BUSHING D.16X12
3	461489B	INSERTO TORRETTA-TESTINA MASTER 26-J	YELLOW INSERT
4	361404B	SUPPORTO TESTINA -LAV-	HEAD SUPPORT
5	361403	UTENSILE	TOOL
6	2-80134	VITE TSPEI M 6X16	CSK FLAT HEAD SCREW SOCKET M6X16
7	5-102716	CILINDRO ROT. COMPLETO (FINO A 05-2018)	CYLINDER ASSEMBLY (UP TO 05-2018)
8	3-00220	RACCPN-L-G1/8C-T4	FITTING 1/4
9	5-106874A	ASTA COLL.+BOCCOLA	PLATE
10	361479	CREMAGLIERA	RACK
11	2-01020	DADO AUTOBLOCCANTE M8	NUT WITH POLYAMIDE RING M8
12	3-01408	VALVOLA	VALVE
13	4-102267	PIASTRA FISSAGGIO MICRO	MICRO SUPPORT
14	4-102259	REGISTRO	REGISTER
15	4-102255B	FLANGIA DF 8 45 X 45 X H 23.5 POSTERIORE D.40 MASTER	REAR FLANGE D.40
16	463204A	FLANGIA CIL PN ANT D 40 DF 15 -LAV-	FRONT FLANGE D.40
17	461509A	TIRANTE ZI D 4 X L 120 M4 LF 20	TIE ROD M4X120
18	361508A	CAMICIA PN DI 40 L 79 SP 2.5	LINER D.40X79
19	261613B	CILINDRO D.110 DS16 MOVIMENTO UTENSILE	CYLINDER TOOL MOVING ASSEMBLY
20	3-00217	RACCPN-L-G1/8C-T6	FITTING 1/8
21	361493A	FLANGIA POST. D110 -LAV-	REAR FLANGE D.110
22	361492	INGRANAGGIO	GEAR
23	361499B	FLANGIA DE 140 DI 110 DF 18 H 20.5 ATTACCO PISTONE -LAV-	PISTON PORT
24	2-00298	VTCEI M5X20	CIRCULAR SOCKET HEAD SCREW M5X20
25	3-01159	BOCCOLA DU DI 60 DE 65 H 40 ACC	BUSH d.60 x D.65x40
26	361495A	PISTONE D 95 x 12	PISTON
27	2-03209	VTE 1/2F M8X100	HEX. SOCKET HEAD SCREW 1/2F M8X100
28	361483	CAMICIA D.110X70	LINER D.110X70
29	361494B	PISTONE FLOTTANTE D 110 x 38	PISTON
30	2-00299	VTCEI M5X25	CIRCULAR SOCKET HEAD SCREW M5X25
31	5-102718	RACCORDO M5 +VITE M5	FITTING M5 WITH SCREW M5
32	2-00360	VTE M6X12	HEXAGON SOCKET HEAD SCREW M6X12
33	361481B	BOCCOLA CIL DI 10.1 DE 16 H 18 ACC FINE CORSA -LAV-	BUSHING
34	320574	RONDELLA D.6,5X22X3	WASHER D.6,5X22X3
35	5-105584	LAMIERA+FELTRO	SHEET
36	5-105163A	CILINDRO PN 2 EFF DI 40 CORSA 240.5 I 329.5 DS 15 _TRASL	CYLINDER TRANSLATION ASSEMBLY
37	4-116197	STELO D.15	STEM D.15
38	5-129247	RICAMBIO FLANGIA ANT CILINDRO PN 2 EFF DI 40 -ALU	FRONT FLANGE D.40
39	4-116196	CAMICIA D.40X273,5	LINER D.40X273,5
40	4-108322	FLANGIA POSTERIORE D.40	REAR FLANGE D.40
41	4-116198	TIRANTE M4X310	TIE ROD M4X310
42	2-01018	DADO AUTOBLOCCANTE M4	NUT WITH POLYAMIDE RING M4
43	4-116202	SUPPORTO CILINDRO TRASLAZIONE	CYLINDER TRANSLATION SUPPORT
44	4-116200A	PERNO CILINDRO M8 x 79.6	PIN
45	2-01019	DADO AUTOBLOCCANTE M10	NUT WITH POLYAMIDE RING M10
46	2-00212	RONDELLA D.8	WASHER FOR HEX CAP SCREW M8
47	361496	PERNO RULLINO CARRELLO	ROLLER PIN
48	461510	MOLLA	SPRING
49	3-01173	ANELLO RASCHIATORE DP6 60 DE 70.6 DI 60 H 5	SCRAPER D.70X60X5
50	361488A	FULCRO UTENSILE	FULCRUM
51	2-01045	RONDELLA D.16	WASHER D.16
52	2-71526	DADO ES.B.A. M16	LOWER AUTOLOCKING HEXAGON NUT M16
53	361475	STELO	STEM
54	356012B	PER. ECCEN. RULL. CARR.	ECCENTRIC PIN
55	361486	SPINA CORTA	SHORT PIN
56	361487	SPINA LUNGA	LONG PIN
57	5-102717	RULLO	ROLLER
58	2-00663	DADO ES.B M16	LOWER HEXAGON NUT M16
59	361477B	TUBO CIRC DE 60 SP 7.5 L 498 SUPPORTO TESTINA	TUBE
60	461476A	RULLO	ROLLER
61	361484A	REGISTRO	REGISTER
62	2-00020	SEEGER D.4	SEEGER D.4
63	2-01130	ANELLO ELASTICO D.16	RETAINING RING FOR SHAFT D.16
64	262529B	CARRELLO+BOCCOLE	TROLLEY+BUSHES
65	4-102831	MOLLA A BALESTRA	LEAF SPRING
66	4-102830	BLOCCHETTO ATTACCO MOLLA	BLOCK

Rif. Ref.	Codice Code	Descrizione	Description
67	361485	BIELLA	CONNECTING ROD
68	4-103075	RONDELLA DI SPESSORAMENTO	WASHER
69	2-01137	DADO AUTOBLOCCANTE 7474 M8	NUT WITH POLYAMIDE RING M8
70	307643	RONDELLA D.11,1X17X0,6	WASHER D.11,1X17X0,6
71	3-01195	RONDELLA IN RAME	COPPER WASHER
72	245486	KIT GUARNIZIONI CILINDRO ROTAZIONE	CYLINDER ROTATION SEALS KIT
73	262525	KIT GUARNIZIONI CIL. MOVIMENTO UT.	CYLINDER TOOL MOVING SEALS KIT
74	5-103267	KIT GUARNIZIONI CILINDRO TRASLAZIONE	CYLINDER TRANSLATION SEALS KIT
75	4-121167	INSERTO TESTINA ROSSO	RED INSERT
76	4-135541	CAVO MICRO L. 4mt	MICRO CABLE L. 4mt
77	4-109005A	INTERRUTTORE LEVA ROT 2 POLI 250 V 16 A ON-MOM A VITE 1NO + 1NC	MICROSWITCH 16A 250V
78	2-00209	RONDELLA D.4	WASHER FOR HEX CAP SCREW M4
79	2-01018	DADO AUTOBLOCCANTE M4	NUT WITH POLYAMIDE RING M4
80	2-02078	VITE TCEI M4X30	SOCKET HEAD CAP SCREW M4X30
81	4-135539	PIASTRA FISSAGGIO MICRO	MICRO BRACKET
82	4-135537	PIASTRA GUIDA CREMAGLIERA	PLATE
83	2-00312	VTCEI M6X25	HEXAGON SOCKET HEAD SCREW M6X25
84	5-122170A	GRUPPO CILINDRO ROTAZIONE UTENSILE	CYLINDER ASSEMBLY (SINCE 06-2018)
85	4-141594	VITE SPECIALE M10X20	SPECIAL SCREW M10X20
86	2-00309	VTCEI M6X16	HEXAGON SOCKET HEAD SCREW M6X16

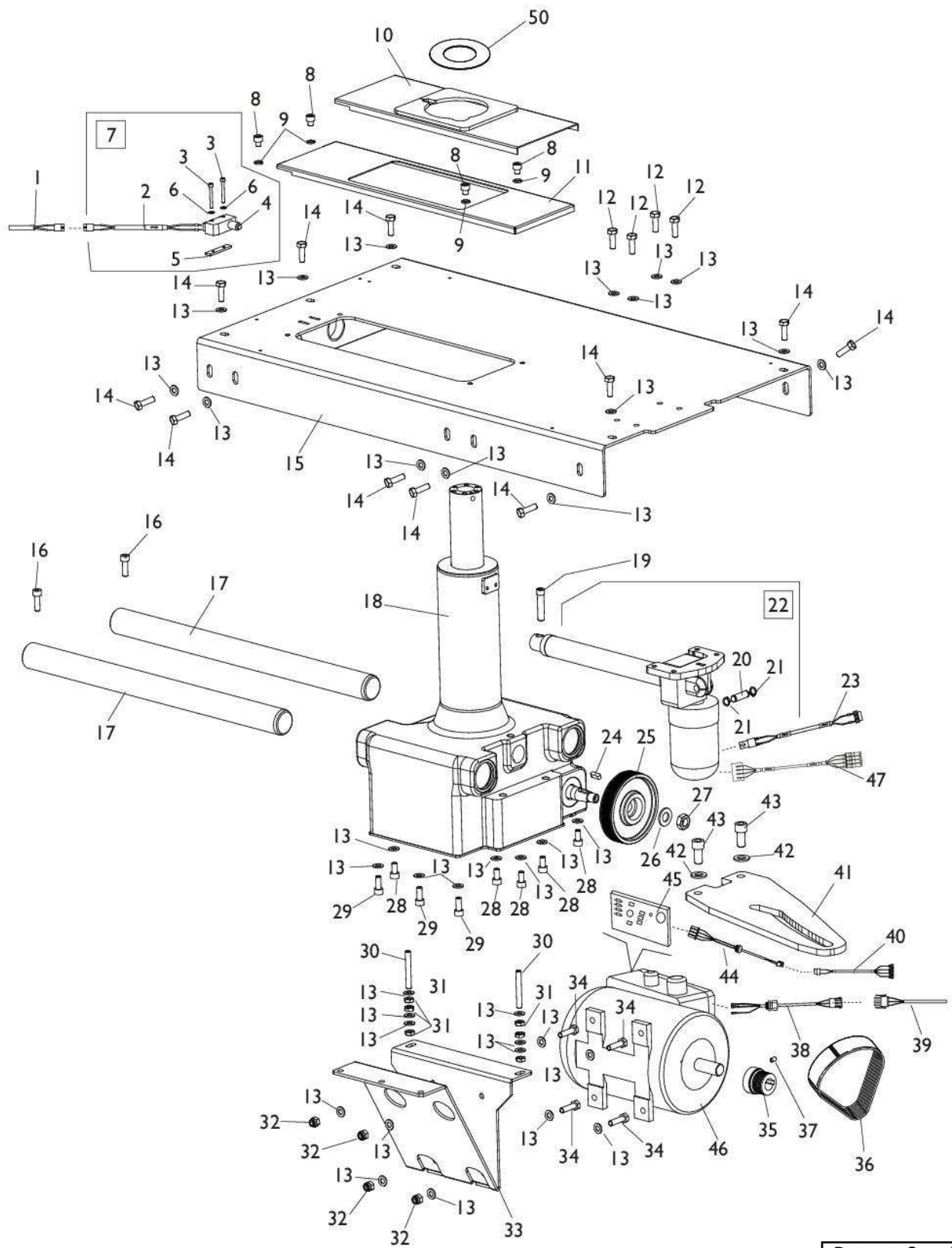
# VERTICAL TRANSLATION GROUP



[Return to Overall](#)

Rif. Ref.	Codice Code	Descrizione	Description
1	2-02007	VITE TCEI M8X20	SOCKET HEAD CAP SCREW M8X20
2	361607	DISTANZIALE M8 H45	SPACER M8 H45
3	461612	ANTIVIBRANTE 30X25 M8X20	ANTIVIBRATION 30X25 M8X20
4	361606	COLONNETA ESAGONALE LUNGA	LONG COLUMN HEX
5	2-00128	DADO ALTO M8	HIGH NUT M8
6	2-03332	VTCEI 1/2F M8X80	CIRCULAR SOCKET HEAD SCREW 1/2F M8X80
7	2-02078	VITE TCEI M4X30	CIRC. SOCKET HEAD SCREW M4X30
8	361608	LAMIERA SOSTEGNO	MICRO SUPPORT
9	5-100667A	CAVO 2 x 0.5mm2 L 1950 PHOENIX - FAST F	PC BOARD CABLE - Y AXIS UP
10	461380	MICRO	MICROSWITCH
11	2-00209	RONDELLA D.4	WASHER FOR HEX CAP SCREW M4
12	2-01018	DADO AUTOBLOCCANTE M4	NUT WITH POLYAMIDE RING M4
13	5-100668B	CAVO 2 x 0.5mm2 L 1820 PHOENIX - FAST F	PC BOARD CABLE - Y AXIS DOWN
14	361603	CHIOCCIOLA	SPIRAL
15	361598A	ALBERO TRASLAZIONE	SHAFT VERTICAL TRANSLATION
16	2-03072	LINGUETTA 4X4X14	KEY 4X4X14
17	4-100630	SEMISUPPORTO CUSCINETTO PICCOLO	HALF SMALL BEARING SUPPORT
18	2-03071	CUSCINETTO RADIALE RIGIDO 17X40X12	BEARING 17X40X12
19	4-100631A	SUPPORTO PARZIALE CUSCINETTO ALTO-nota-	HALF BIG BEARING SUPPORT
20	2-03070	CUSCINETTO OBLIQUO 17X40X17,5	BEARING 17X40X17,5
21	2-00889	SEEGER D.17	SEEGER D.17
22	3-01677	RONDELLA D.17X24X0,1	WASHER D.17X24X0,1
23	4-102438	PULEGGIA CONDOTTA Z48	PULLEY Z48
24	3-01477	CINGHIA DENTATA	TOOTHED BELT
25	434207	RONDELLA D.13X20X2	RONDELLA D.13X20X2
26	2-01276	DADO AUTOBLOCCANTE M12	NUT WITH POLYAMIDE RING M12
27	4-102630	PULEGGIA MOTRICE Z18	PULLEY Z18
28	2-02401	VITE STEI M6X12	SOCKET SET SCREW M6X12
29	5-122229	MOTORE AUTOFRENANTE 48V D.14	BRAKE MOTOR 48V D.14
30	5-102715	MOTORE TRASLAZ. VERTICALE COMPLETO	MOTOR TRANSLATON ASSEMBLY
31	4-102194	TENDICINGHIA	BELT TENSIONER
32	5-100689B	CAVO 2 x 1.5mm2 L 1750 PHOENIX - FAST F	PC BOARD CABLE - BRAKE Y
33	5-100663A	CAVO EL 2 X 1.5MM2 1700 CONNETTORE MSTB-2,5-ST-5,08 3P / PORTAFASTON 2P	PC BOARD CABLE - ASSE Y MOTOR

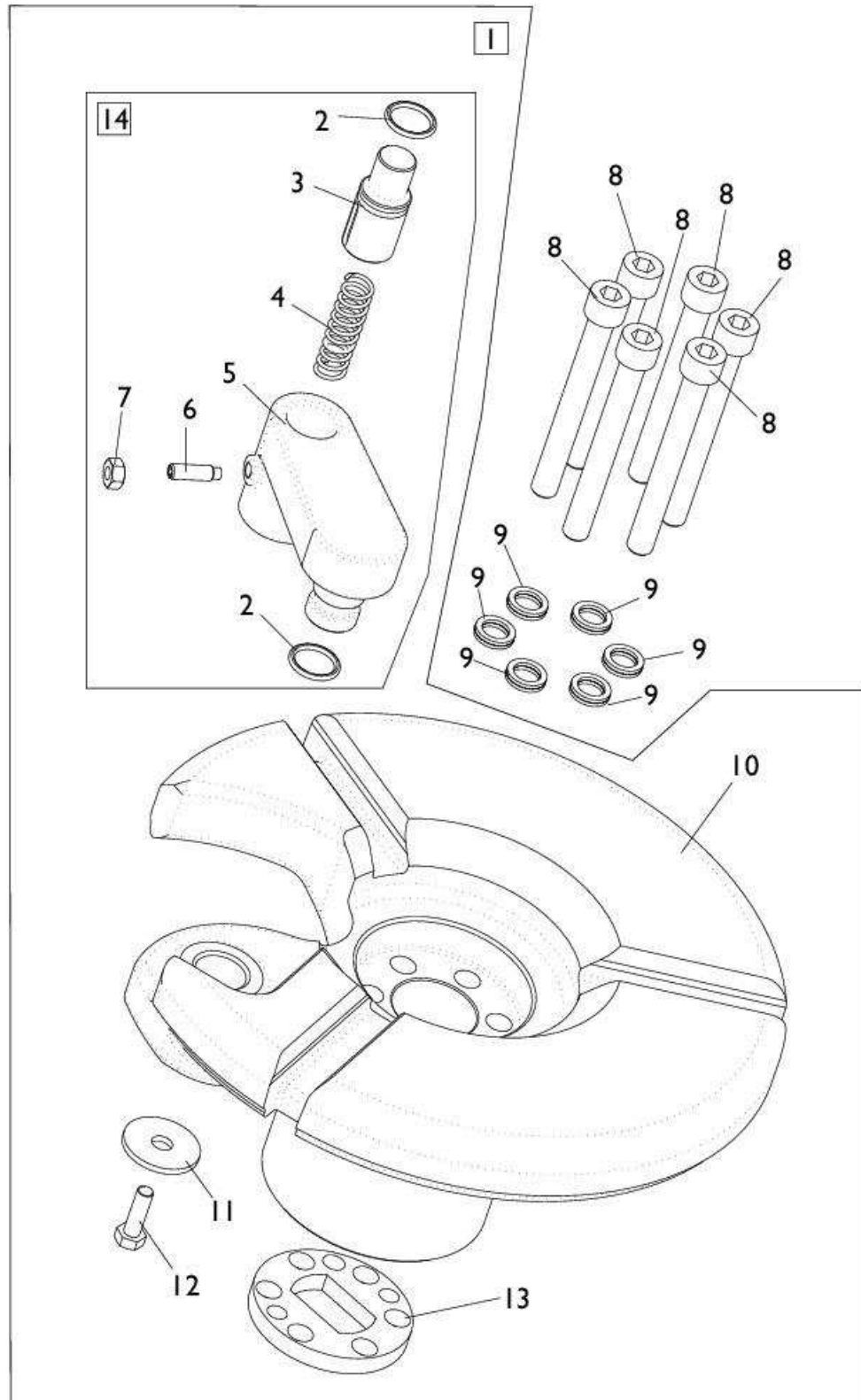
# WHEEL TRANSLATION GROUP



[Return to Overall](#)

Rif. Ref.	Codice Code	Descrizione	Description
1	5-100669A	CAVO 2 x 0.5mm2 L 2200 PHOENIX - MINIFIT	PC BOARD CABLE - MICRO RESET
2	5-102151	CAVO MICRO AZZERAMENTO	MICRO RESET CABLE
3	2-02078	VITE TCEI M4X30	SOCKET HEAD CAP SCREW M4X30
4	4-106284A	MICROINTERRUTTORE 1NO + 1NC + 250 V 16 A A VITE + VF MKCV22 (4-107864A)	MICRO 250V 16A
5	361554	PIASTRINA MICRO	MICRO SUPPORT
6	2-00209	RONDELLA D.4	WASHER FOR HEX CAP SCREW M4
7	9005-102170	KIT MICRO AZZ.MAS. IP66 WINTER	KIT MICRO RESET
8	4-103071	VITE SPECIALE TCEI M8X8	SPECIAL SCREW M8X8
9	2-02779	ROSETTA D.8	WASHER D.8
10	4-101410	PROTEZIONE TRASLAZIONE	TRANSLATION PROTECTION
11	4-100307A	LAMIERA INFERIORE	REAR SHEET
12	2-02341	VITE TE M8X16	HEXAGON HEAD SCREW M8X16
13	2-01114	RONDELLA D.8	WASHER D.8
14	2-01131	VTE M8X22	HEXAGON SOCKET HEAD SCREW M8X22
15	4-118100	COPERCHIO	COVER
16	2-02006	VITE TCEI M8X25	CIRCULAR SOCKET HEAD SCREW M8X25
17	4-137495	GUIDA ORIZZONTALE	HORIZONTAL GUIDE
18	5-120129	RIDUTTORE COMPLETO	GEARBOX ASSEMBLY
19	361552	VSTEI M12X1,25	CSK SCREW SOCKET M12X1,25
20	4-103512	PERNO ATTUATORE	ACTUATOR PIN
21	2-00023	ANELLO ELASTICO D.10	RETAINING RING FOR SHAFT D.10
22	5-102709	ATTUATORE COMPLETO	ACTUATOR ASSEMBLY
23	5-100662B	CAVO 2 x 1.5mm2 L 2100 PHOENIX - FASTIN-FASTON	PC BOARD CABLE - X AXIS ACTUATOR
24	2-01950	LINGUETTA 6X6X18	PARALLEL KEY 6X6X18
25	354082	PULEGGIA POLY-V J8 (12VOLT)	POLY-V PULLEY 8J (12VOLT)
26	2-00215	RONDELLA D.14	WASHER FOR HEX CAP SCREW M14
27	2-00941	DADO ES.B 5589 6S BR M14	HEXAGON THIN NUT M14
28	2-00319	VTCEI M8X16	CIRCULAR SOCKET HEAD SCREW M8X16
29	2-02007	VITE TCEI M8X20	SOCKET HEAD CAP SCREW M8X20
30	2-02683	VITE STEI M8X60	SOCKET SET SCREW M8X60
31	2-00156	DADO BASSO M8	HEXAGON NUT M8
32	2-01020	DADO AUTOBLOCCANTE M8	NUT WITH POLYAMIDE RING M8
33	4-102396/00A	SUPPORTO MOTORE	MOTOR SUPPORT
34	2-00322	VTCEI M8X30	CIRCULAR SOCKET HEAD SCREW M8X30
35	4-104329	PULEGGIA MOTORE	MOTOR PULLEY
36	3-00575	CINGHIA	BELT
37	2-00544	VITE STEI M6X10	SOCKET SET SCREW M6X10
38	4-111587A	CAVO EL 3 X 2.5 MM2 L 800 AMP MATE-N-LOK-M 3P / FASTON F-OCC 3P ALIMENT MOTOINV	FEEDING CABLE 115/230V
39	4-146886	CAVO EL 3 X 2.5 MM2 L 2700 AMP MATE-N-LOK-M 3P / 3P	MOTOINVERTER POWER CABLE
40	5-100723	CAVO COMANDI PEDALIERA	PEDAL COMMAND CABLE
41	4-102727B	CAMMA DI MOVIMENTAZIONE	HANDLING CAM
42	2-00214	RONDELLA D.12	WASHER FOR HEX CAP SCREW M12
43	2-03144	VTCEI M12X1,25X25	CIRC. SOCKET HEAD SCREW M12x1,25x25
44	4-109895	CAVO COMANDI LATO MOTORE	CABLE
45	4-115395B	SK CPU INVERTER 190HZ 200-230V + FILTRO FW VER. 9.9	MOTOINVERTER PC BOARD 230V
45	4-111585	SCHEDA MOTOINVERTER 115V	MOTOINVERTER PC BOARD 115V
46	5-104966B	MI 190 HZ 230 V FW VER. 9.9 - FILTRO INTEGRATO II MOT IT IGBT 40A - G.D.	MOTOINVERTER ASSEMBLY 230V
46	5-103599	MOTOINVERTER CON CAVI 115V	MOTOINVERTER ASSEMBLY 115V
47	5-100664B	CAVO 4 x 0.35mm2 L 1910 PHOENIX - MINIFIT	PC BOARD CABLE - ACTUATOR ENCODER
50	4-100767	COPERTURA	COVER

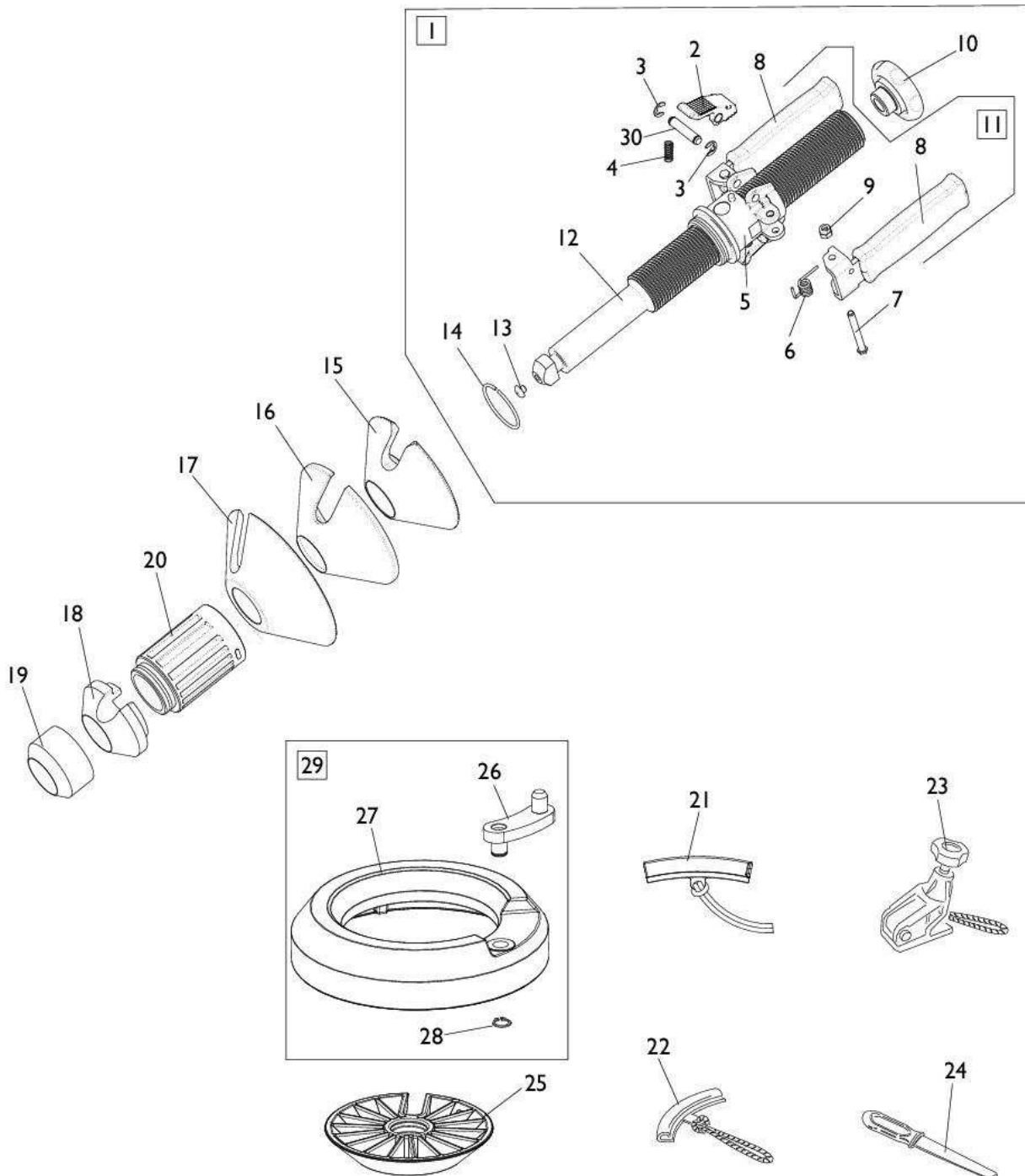
# MASTER J TURNTABLE GROUP



[Return to Overall](#)

Rif. Ref.	Codice Code	Descrizione	Description
1	5-128286	RICAMBIO CENTRAGGIO RUOTE COD. 5-101199	TURNTABLE ASSEMBLY
2	424630	OR D.12,42X1,78	O-RING D.12,42X1,78
3	4-102326C	PERNO TONDO DE 16 L 35.2 TC 12 TCF 10 TRASCINATORE	PIN
4	4-102331A	MOLLA COMP CIL UNI 7900 DE 10 DF 1.2 LO 35.5 IT 10	SPRING
5	4-103143	LEVA	LEVER
6	2-02560	VSTEI M5X16	CSK SCREW SOCKET M5X16
7	2-00676	DADO ES.N. M5	NORMAL HEXAGON NUT M5
8	4-104811	VTCEI M8X70	CIRCULAR SOCKET HEAD SCREW M8X70
9	4-102752	RONDELLA ANTISVITAMENTO D.8	WASHER D.8
10	4-103152A	CANNOTTO CENTRAGGIO RUOTE -LAV-	TURNTABLE
11	434168	RONDELLA D.6,6X24X2	WASHER D.6,6X24X2
12	2-00355	VTE M5X16	HEXAGON SOCKET HEAD SCREW M5X16
13	4-103142A	RONDELLA PIANA SPEC DI 27 DE 49.8 SP 6 ACC BR AGGANCIAMENTO RAPIDO	WASHER
14	5-102707	KIT LEVA CON PERNO	LEVER KIT

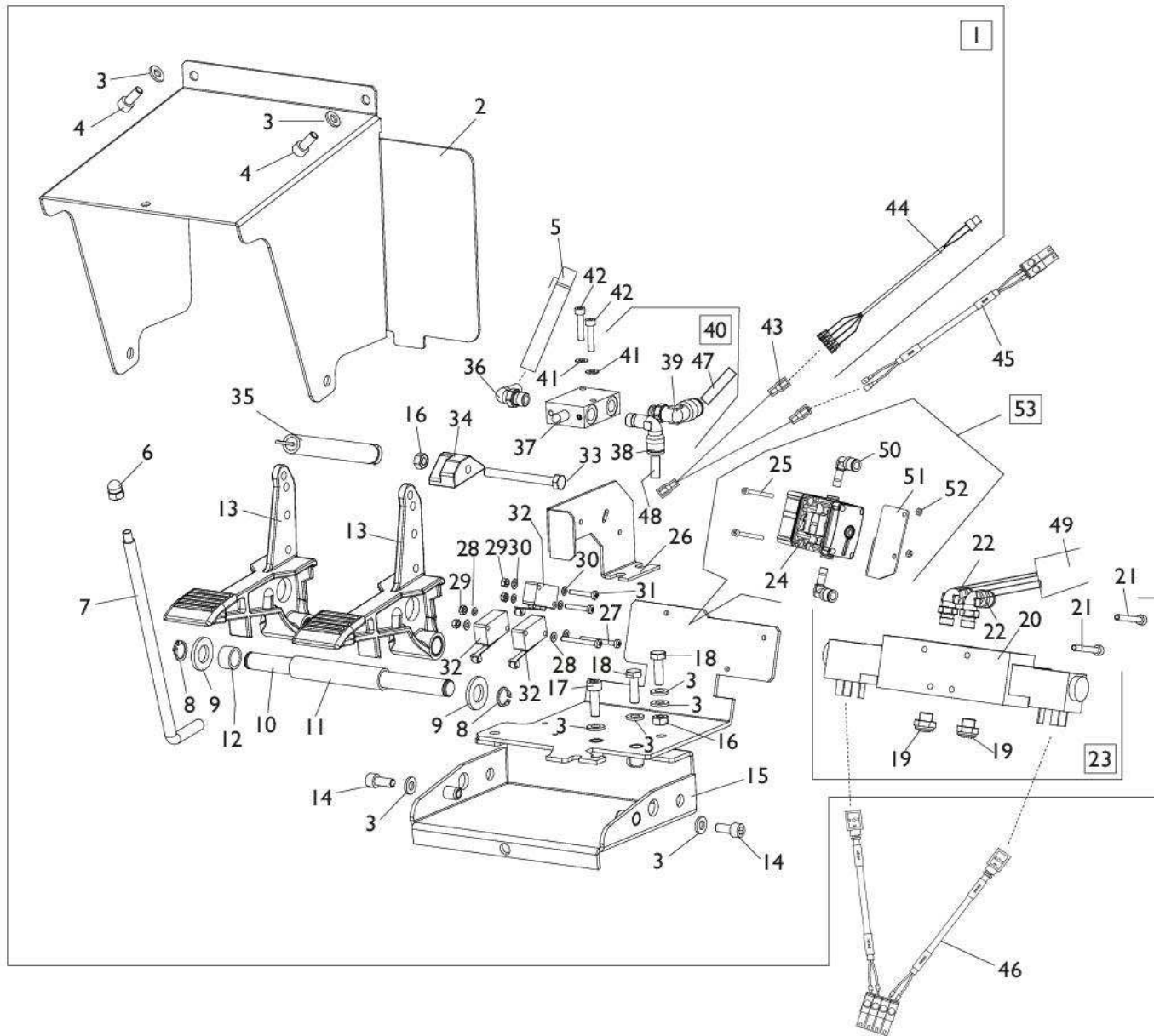
# MASTER J HANDLE LOCKING WHEEL



[Return to Overall](#)

Rif. Ref.	Codice Code	Descrizione	Description
1	5-101197B	MANIGLIA COMPLETA	HANDLE LOCKING WHEEL ASSEMBLY
2	4-104822	CRICCHETTO GHIERA D.8	CLAMPING NUT
3	2-00021	SEEGER D.8	SEEGER D.8
4	4-103675	MOLLA D.8X20X1	SPRING D.8X20X1
5	4-103226B	GHIERA MAN TR38X3 H 75 -LAV-	BODY
6	4-103673A	MOLLA TORSIONE DE 12.2 DF 2.2 LO 15.9	LEVER RETURN SPRING
7	4-104809	PERNO FISSAGGIO LEVA MANIGLIA	FIXING PIN LEVER HANDLE
8	5-101931	MANOPOLA CON LEVA	HANDLE WITH LEVER
9	2-01257	DADO AUTOBLOCCANTE M6	NUT WITH POLYAMIDE RING M6
10	4-103669	MANOPOLA D.60 M24 NERA	BLACK HANDLE D.60 M24
11	5-103532	GHIERA DI SERRAGGIO	CLAMPING NUT
12	4-103668B	BARRA FILETTATA TR38X3 L 373	LOCKING WHEEL BAR
13	461560A	INSERTO CIL-DE 12 DI 1 L 8 TAPPO PROTEZIONE BARRA	SHIELD
14	4-103670A	ANELLO EL DN 45,3 ACCIAIO PER MOLLE UNI EN 10270	RING D.50X2,5
15	4-103230B	CONO DMAX 120 DMIN 42 DF 38 H 41.5 -LAV-	CONE D.120
16	4-103232A	PROTEZIONE CUFFIA CONO DE 120 DF 40 -GIALLA-	PROTECTION CONE D.120
16	4-135006	CUFFIA PROTEZIONE CONO D.145	PROTECTION CONE D.145
17	4-103229A	CONO DMAX 145 DMIN 56 DF 38 H 43 -LAV-	CONE D.145
18	4-118294	CONO D.75	CONE D.75
19	4-103235C	CONO DMAX 58 DMIN 41 DF 38.5 H 40 PLAST M13	CONE D.58
20	5-102722A	PROLUNGA MANIGLIA + ANELLO D 38,5	HANDLE EXTENTION
21	5-491007	KIT 3 PARABORDI CORTI	3 SHORT RIM EDGE PLASTIC PROTECTIONS
22	2201716	KIT 3 PARABORDI	3 RIM EDGE PLASTIC PROTECTIONS
23	262417E	MORSETTO ANTISLITTAMENTO A	CLAMP RUN FLAT
24	4-405496A	PTS PROTEZIONE TALLONE -ROSSO-	PTS RED PROTECTOR
25	4-103233A	CONO DMAX 187 DMIN 121 DF 38.5 H 32	CONE D.187
26	4-103110A	MANOVELLA COMPLETA	CRANK
27	4-102360B	ANELLO DISTANZIALE LAVORATO	SPACER RING
28	2-00026	SEEGER D.14	SEEGER D.14
29	9005-100690	ANELLO DISTANZIALE C.	SPACER RING ASSEMBLY
30	4-104810	PERNO	PIN

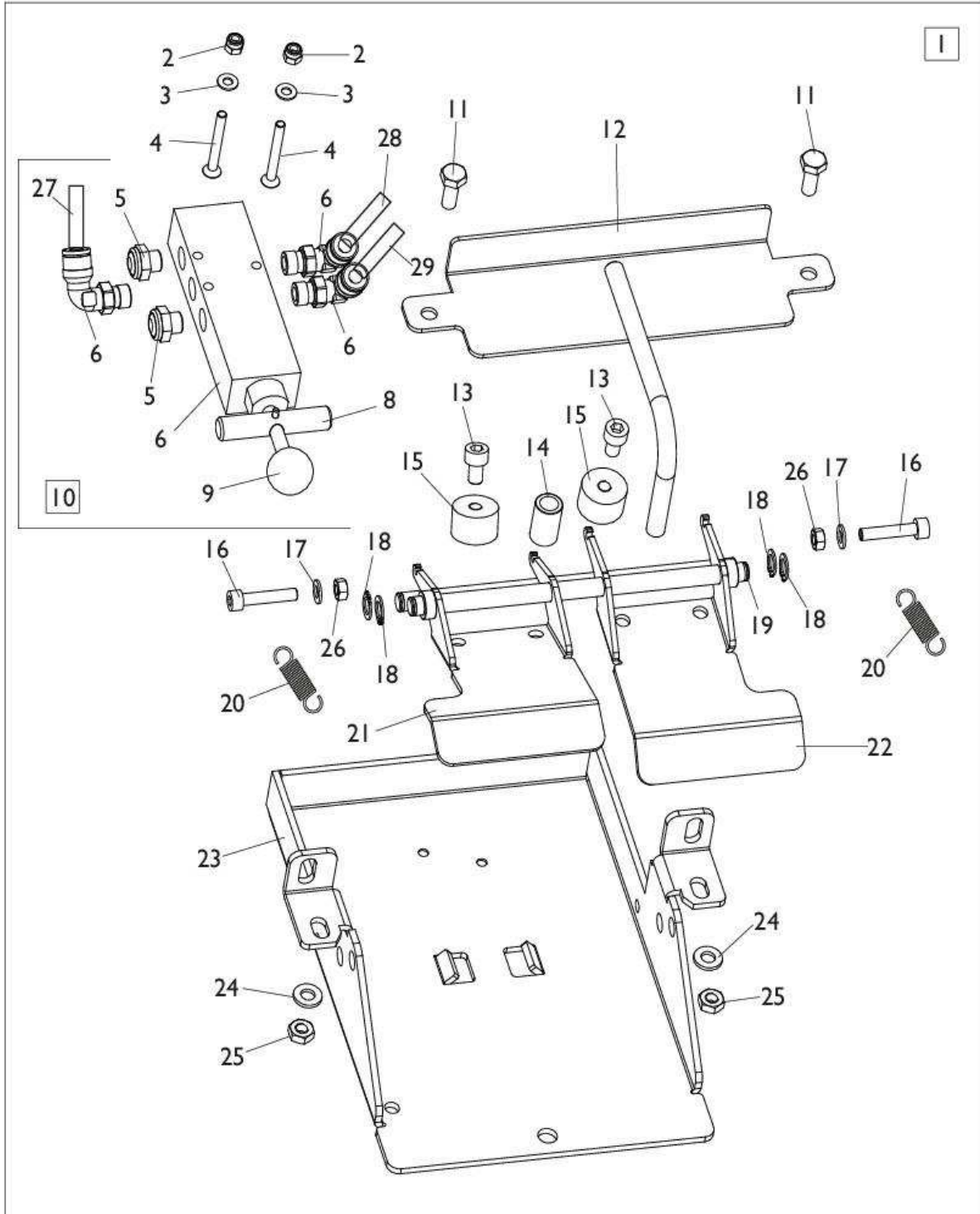
# MASTER J PEDAL GROUP



Return to Overall

Rif. Ref.	Codice Code	Descrizione	Description
1	5-105946	PEDALIERA COMANDI COMPLETA	PEDAL ASSEMBLY
2	4-118200/00	COPERCHIO PED. MASTER JOLLY	PEDAL COVER
3	2-00211	RONDELLA D.6	WASHER FOR HEX CAP SCREW M6
4	2-00309	VTCEI M6X16	HEXAGON SOCKET HEAD SCREW M6X16
5	5-100129	TUBO GONFIAGGIO L.3500	INFLATION HOSE L.3500
6	2-00104	DADO ES CALOTTA CIECO UNI 5721 M6 5S ZI	HEX DOMED CAP NUT M6
7	361537	SEPARATORE PEDALI	PEDAL SEPARATOR
8	2-00025	ANELLO ELASTICO D.12	RETAINING RING FOR SHAFT D.12
9	2-00214	RONDELLA D.12	WASHER FOR HEX CAP SCREW M12
10	4-103656A	PERNO TONDO DE 12 L 170.5 SA SA	PIN
11	340313	DISTANZIALE PER PEDALI	PEDALS SPACER
12	4-103658	DISTANZIALE	SPACER
13	5-102714	PEDALE INVERTITORE	INVERTER PEDAL
14	2-00728	VTCEI M6X14	CIRCULAR SOCKET HEAD SCREW M6X14
15	5-120136/00	RICAMBIO BASAMENTO PEDALIERA MASTER JOLLY	PEDAL BASE
16	2-00150	DADO ES. M6	HEXAGON NUT M6
17	2-00310	VTCEI M6X20	HEXAGON SOCKET HEAD SCREW M6X20
18	2-00362	VITE TE M6X20	HEXAGON HEAD SCREW M6X20
19	3-00181	SILENZIATORE-G1/8 FILI ACCIAIO	SILENCER G.1/8
20	3-01168	ELETTROVALVOLA	ELECTRIC VALVE
21	2-02078	VITE TCEI M4X30	CIRC. SOCKET HEAD SCREW M4X30
22	3-00053	RACCORDO ORIENTAB. A L G1/8G-T6	ORIENTING ELBOW FITTING 1/8 T6
23	5-100625	VALVOLA MOVIMENTO UTENSILE	VALVE TOOL MOVEMENT
24	3-04775	VALVOLA LIMITATRICE TARATA 4.2 BAR	VALVE
25	2-00851	VITE TCEI M4X40	HEXAGON SOCKET HEAD SCREW M4X40
26	361524A	SUPPORTO MICRO PEDALIERA	LEFT SUPPORT FOR MICROSWITCHES
27	2-00578	VITE TCIC M3X30	CROSS PAN HEAD SCREW M3X30
28	2-00208	RONDELLA D.3	WASHER FOR HEX CAP SCREW M3
29	2-00124	DADO ESAGONALE ALTO M3	HIGH NUT M3
30	2-71547	ROSETTA ELASTICA 8842 A D.3	SPRING WASHER D.3
31	2-00576	VITE TCIC M3X20	CROSS PAN HEAD SCREW M3X20
32	900440874	MICROINTERUTTORE	MICROSWITCH
33	2-00369	VTE M6X60	HEXAGON SOCKET HEAD SCREW M6X60
34	461535	BLOCCHETTO MICRO	BLOCK
35	410628B	MOLLA TRAZ UNI 7900 DE 14 DF 2 LO 105 IT 40.25	SPRING D.14X2X105
36	3-01176	RACCPN-RESCA-L-G1/8-T6	RESCA FITTING 1/8
37	3-01178	VALVOLA	VALVE
38	3-00218	RACCPN-L-G1/8C-T8	FITTING 1/8
39	3-00049	RACCORDO LO G1/8 T8	ORIENTING ELBOW FITTING G1/8 T8
40	5-102712	VALVOLA COMPLETA	INFLATING VALVE
41	2-00209	RONDELLA D.4	WASHER FOR HEX CAP SCREW M4
42	2-00291	VITE TCEI 4762 TF M4x20	SOCKET HEAD CAP SCREW M4X20
43	4-101698	CAVO PONTE L.110	CABLE L.110
44	5-100723	CAVO COMANDI PEDALIERA	PEDAL COMMAND CABLE
45	5-100722A	CAVO 2 x 0.5mm2 L 2250 PHOENIX - MISTO	CABLE TURNABLE ROTATION
46	5-100660B	CAVO EL 4 X 0.5MM2 2320 CONNETTORE MC-1,5-STF-3,81 4P / EV 2P	PC BOARD CABLE - EV1/EV2
47	358763	TUBO D.8 L.100MM	HOSE D.8 L.100MM
48	319369A	TUBO PN PA D8X6 L 340 NERO	HOSE D.8 L.340MM
49	5-106060A	TRECCIA TUBI PNEUM. MASTER JOLLY	BRAIDED PNEUMATIC TUBES
50	3-03504	RACCPN-GOMITO-T-T-T8	FITTING T-T-T8
51	4-121270A	STAFFA VALVOLA GONFIAGGIO	BRACKET
52	2-02804	DADO BASSO M4	LOW NUT M4
53	5-107578	LIMITATORE DI GONFIAGGIO CPL.	LIMITER INFLATION ASSEMBLY

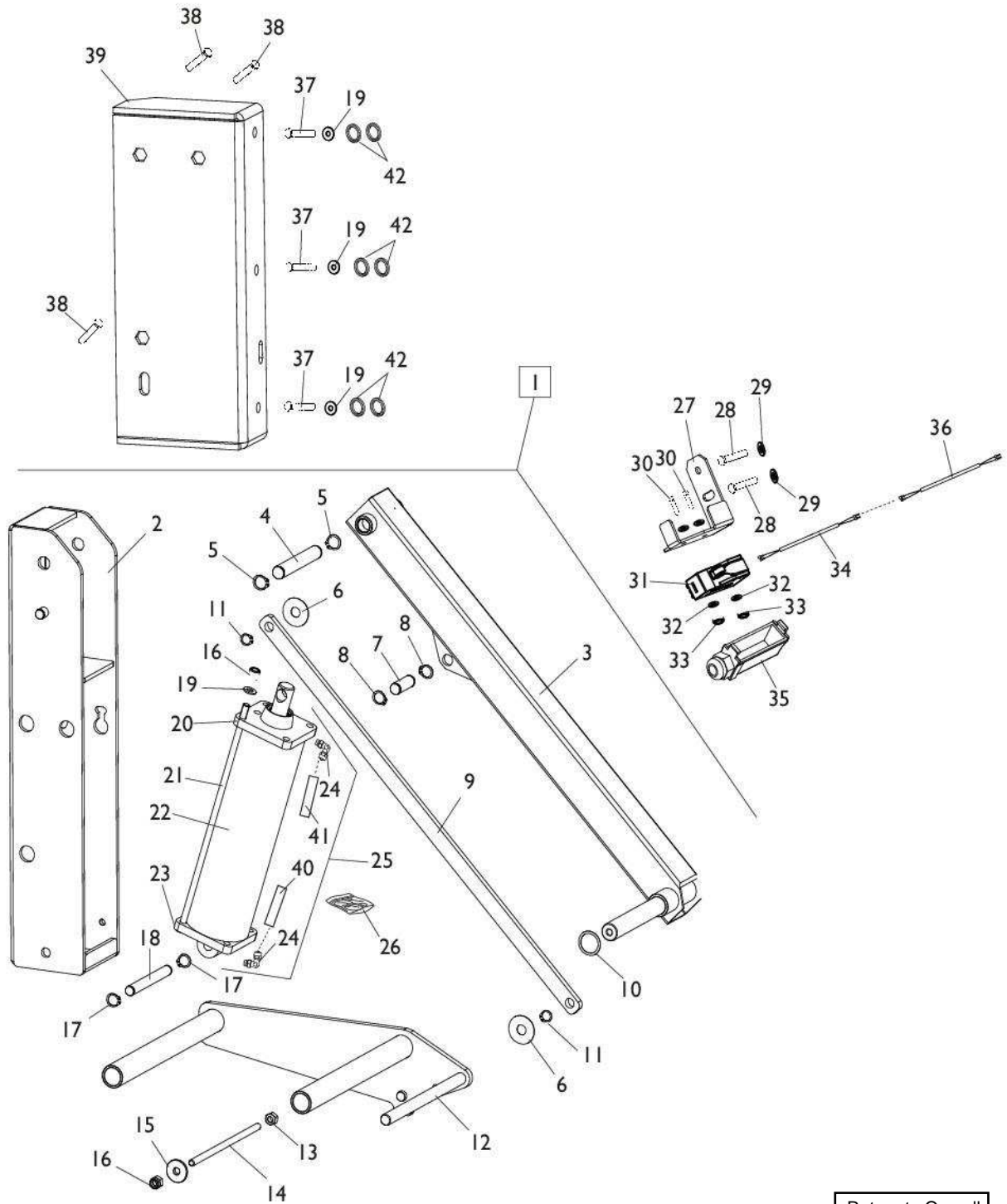
# PEDAL LIFTER GROUP



[Return to Overall](#)

Rif. Ref.	Codice Code	Descrizione	Description
1	5-105954/00	PEDALIERA SOLLEVATORE COMPLETA	PEDAL LIFTER ASSEMBLY
2	2-01018	DADO AUTOBLOCCANTE M4	NUT WITH POLYAMIDE RING M4
3	2-00209	RONDELLA D.4	WASHER FOR HEX CAP SCREW M4
4	2-01212	VTSP EI M4X35	CSK SCREW FLAT SOCKET M4X35
5	3-00181	SILENZIATORE-G1/8 FILI ACCIAIO	SILENCER G.1/8
6	3-00053	RACCORDO ORIENTAB. A L G1/8G-T6	ORIENTING ELBOW FITTING 1/8 T6
7	3-01642	VALVOLA	VALVE
8	4-103750	PERNO AZIONAMENTO VALVOLA	VALVE PIN
9	3-03029	POMOLO	HANDLE
10	5-102696	VALVOLA SOLLEVATORE COMPLETA	LIFETR VALVE ASSEMBLY
11	2-00361	VTE M6X16	HEXAGON SOCKET HEAD SCREW M6X16
12	4-118125/00	LAMIERA COPERTURA PED.	PEDAL COVER
13	2-00308	VITE TCEI M6X10	SOCKET HEAD CAP SCREW M6X10
14	4-103746	DISTANZIALE FORATO D.12X8,2X20	SPACER D.12X8,2X20
15	441675	ANTIVIBRANTE 20X13 M6X6	ANTIVIBRATION 20X13 M6X6
16	2-00299	VTCEI M5X25	CIRCULAR SOCKET HEAD SCREW M5X25
17	2-00210	RONDELLA D.5	WASHER FOR HEX CAP SCREW M5
18	2-00021	SEEGER D.8	SEEGER D.8
19	4-103742	PERNO	PIN
20	4-104551	MOLLA D.2X12X28	SPRING D.2X12X28
21	4-104835	PEDALE SOLLEVATORE SX	PEDAL LEFT
22	4-104836	PEDALE SOLLEVATORE DX	PEDAL RIGHT
23	4-118124/00	PIASTRA LAM. PED.SOLL. MASTER JOLLY	PEDAL BASE
24	2-00211	RONDELLA D.6	WASHER FOR HEX CAP SCREW M6
25	2-00167	DADO ESAGONALE BASSO M6	LOW NUT M6
26	2-00676	DADO ES.N. M5	NORMAL HEXAGON NUT M5
27	338670	TUDO D.6 L.320MM	HOSE D.6 L.320MM
28	315269A	TUBO PN PA D6X4 L 900 NERO	HOSE D.6 L.900MM
29	4-104861A	TUBO PN PA D6X4 L 980 GIALLO	YELLOW HOSE D.6 L.980MM

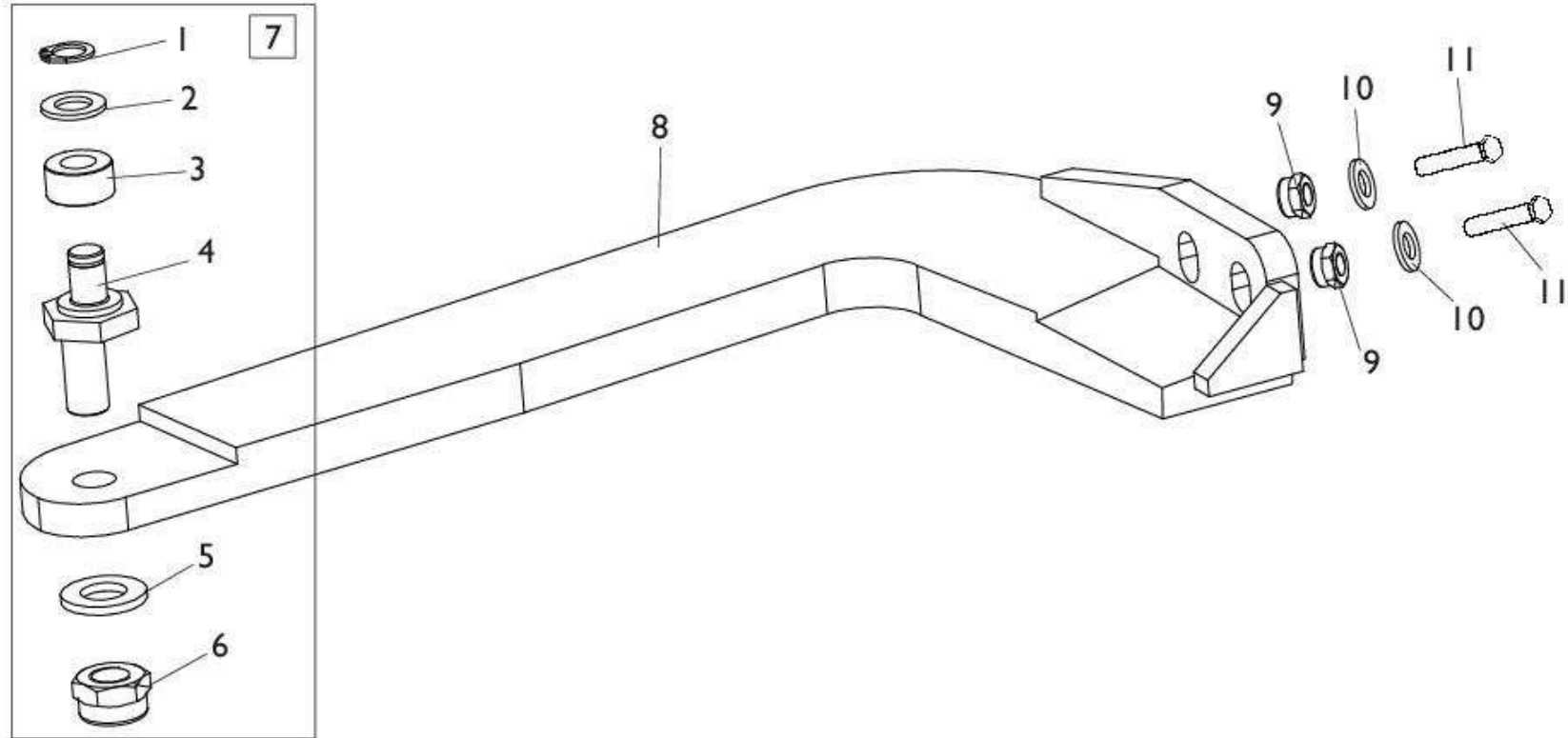
# LIFTER GROUP



Return to Overall

Rif. Ref.	Codice Code	Descrizione	Description
1	5-101212B	SOLLEVATORE	LIFTER ASSEMBLY
2	4-103738/90D	SUPPORTO SOLLEVATORE COMPLETO -VERN-	LIFTER BODY
3	4-103733B	BRACCIO SOLLEVATORE	LIFTER ARM
4	4-103725	PERNO	PIN
5	2-01130	ANELLO ELASTICO D.16	RETAINING RING FOR SHAFT D.16
6	344208	RONDELLA D.12,5X36X1	WASHER D.12,5X36X1
7	4-103723	PERNO	PIN
8	2-00026	SEEGER D.14	SEEGER D.14
9	4-103722/90	BIELLA I 580 DMAX 12 DMIN 12 L 8 -VERN-	CONNECTING ROD
10	325561	RONDELLA D.24X29,8X0,5	WASHER D.24X29,8X0,5
11	2-00025	ANELLO ELASTICO D.12	RETAINING RING FOR SHAFT D.12
12	4-103728B	SUPPORTO RUOTA -SALD-	WHEEL SUPPORT
13	2-00151	DADO ESAGONALE M8	NUT M8
14	4-103727	BARRA FILETTATA M8	THREADED BAR
15	4-103726	RONDELLA DI BLOCCAGGIO	WASHER
16	2-01020	DADO AUTOBLOCCANTE M8	NUT WITH POLYAMIDE RING M8
17	2-00026	SEEGER D.14	SEEGER D.14
18	4-103724	PERNO	PIN
19	305972B	RONDELLA PIANA SPEC DI 8.25 DE 22 SP 3 ACC BR	WASHER D. 8,25X22 X3
20	361519	FLANGIA ANTERIORE D.75	FRONT FLANGE D.75
21	4-103753	TIRANTE M8X298	TIE ROD M8X298
22	4-103752	CAMICIA D.75X264	LINER D.75X264
23	361975	FLANGIA POSTERIORE D.75	REAR FLANGE D.75
24	5-102686	RACCPN-LO-G1/8G-T6 + STROZZ. D.1,75	FITTING 1/8
25	5-101215C	CILINDRO PN 2 EFF DI 75 CORSA 223 I I 332 DS 20 SOLLEVATORE	CYLINDER LIFTER ASSEMBLY
26	900262382	KIT GUARNIZIONI D.75	SEALS KIT CYLINDER LIFTER
27	4-118127	SUPPORTO MICRO	MICROSWITCH SUPPORT
28	2-00309	VTCEI M6X16	HEXAGON SOCKET HEAD SCREW M6X16
29	2-00211	RONDELLA D.6	WASHER FOR HEX CAP SCREW M6
30	2-02078	VITE TCEI M4X30	SOCKET HEAD CAP SCREW M4X30
31	4-109005A	INTERRUTTORE LEVA ROT 2 POLI 250 V 16 A ON-MOM A VITE 1NO + 1NC	MICROSWITCH 16A 250V
32	2-00209	RONDELLA D.4	WASHER FOR HEX CAP SCREW M4
33	2-01018	DADO AUTOBLOCCANTE M4	NUT WITH POLYAMIDE RING M4
34	5-106055	CAVO MICRO	MICRO CABLE
35	4-107864A	INTERRUTTORE FINITURA PULSANTE 2 POLI - V - A ON-MOM COPRITERMINALI VF MKCV22	MICRO PROTECTION
36	5-100666A	CAVO EL 2 X 0.5MM2 1950 CONNETTORE MC-1,5-STF-3,81 2P / FASTON F 2P	PC BOARD CABLE - MICRO LIFTER
37	2-02007	VITE TCEI M8X20	SOCKET HEAD CAP SCREW M8X20
38	3-02318	VITE SELF-LOCKING M8X25	SELF-LOCKING SCREW M8X25
39	4-118097/00A	STAFFA SUPPORTO SOLLEVATORE	LIFTER SUPPORT
40	315269A	TUBO PN PA D6X4 L 900 NERO	HOSE D.6 L.900MM
41	4-104861A	TUBO PN PA D6X4 L 980 GIALLO	YELLOW HOSE D.6 L.980MM
42	4-102752	RONDELLA ANTISVITAMENTO D.8	WASHER D.8

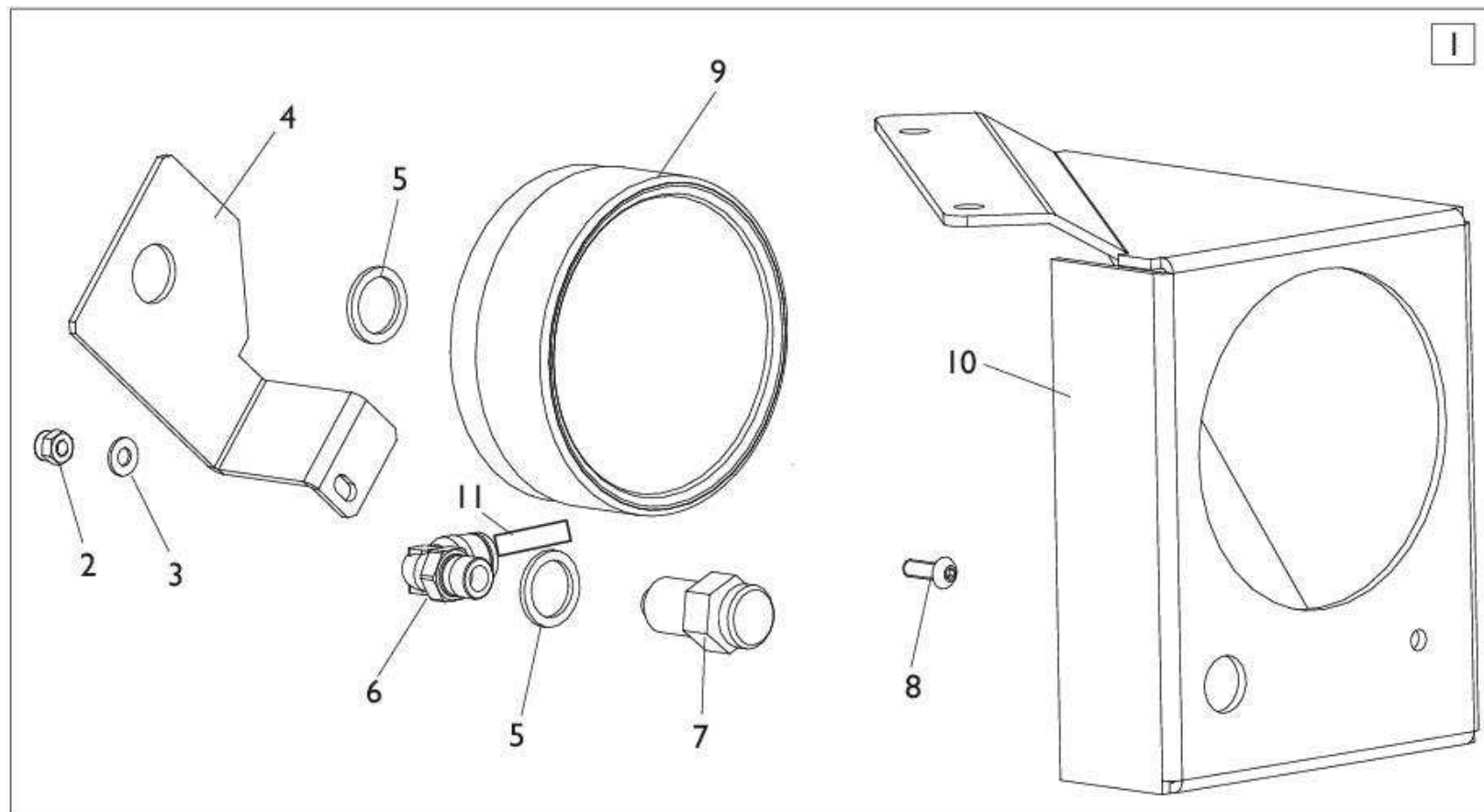
# BEAD BREAKER ROTATION GROUP



Return to Overall

Rif. Ref.	Codice Code	Descrizione	Description
1	2-00023	ANELLO ELASTICO D.10	RETAINING RING FOR SHAFT D.10
2	2-00214	RONDELLA D.12	WASHER FOR HEX CAP SCREW M12
3	2-03061	ROTELLA	ROLLER
4	361308	ECCENTRICO	ECCENTRIC
5	354588	RONDELLA D.10,5X18X1,5	WASHER D.10,5X18X1,5
6	2-01276	DADO AUTOBLOCCANTE M12	NUT WITH POLYAMIDE RING M12
7	262387	ECCENTRICO COMPLETO	ECCENTRIC ASSEMBLY
8	4-100337A	BRACCIO ROTAZIONE STALL.RE C	ROTATION ARM
9	2-71525	DADO ES.B.A. M10	LOW AUTOLOCKING HEXAGON NUT M10
10	2-00213	RONDELLA D.10	WASHER D.10
11	2-03157	VTE M10X70	HEXAGON SOCKET HEAD SCREW M10X70

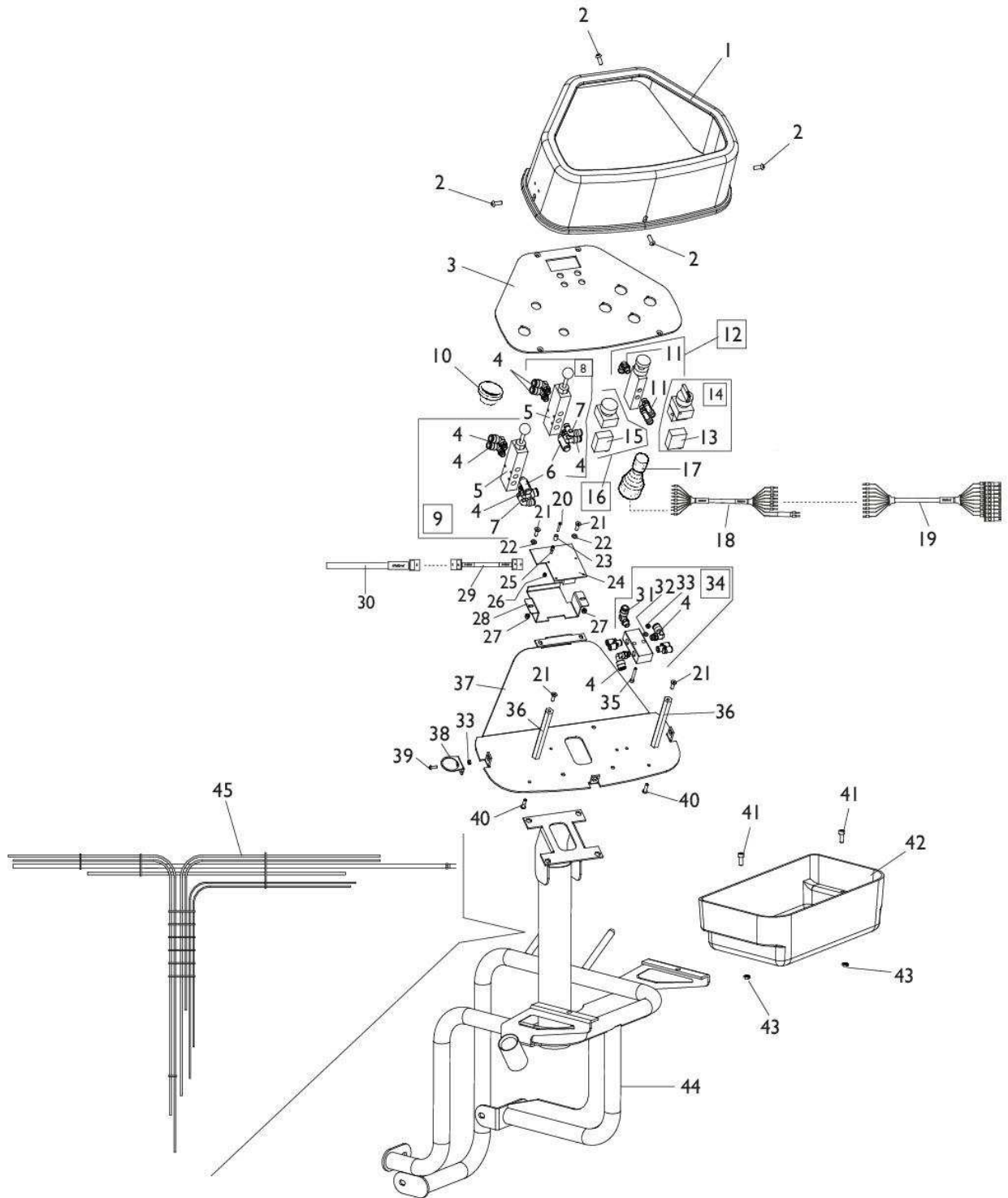
# PRESSURE GAUGE GROUP



[Return to Overall](#)

Rif. Ref.	Codice Code	Descrizione	Description
1	5-105956	GRUPPO MANOMETRO BAR/PSI	PRESSURE GAUGE BAR/PSI PRESSURE
1	5-106316	GRUPPO MANOMETRO BAR	PRESSURE GAUGE BAR ASSEMBLY
2	2-01018	DADO AUTOBLOCCANTE M4	NUT WITH POLYAMIDE RING M4
3	2-00209	RONDELLA D.4	WASHER FOR HEX CAP SCREW M4
4	4-112449	SUPPORTO MANOMETRO	PRESSURE GAUGE SUPPORT
5	3-00449	RONDELLA IN ALLUMINIO 1/4	WASHER 1/4
6	3-00055	RACCORDO ORIENTAB. A L G1/4-T8	ORIENTING ELBOW FITTING 1/4 T8
7	235463	VALVOLA SGONFIAGGIO	DEFLATION VALVE
8	2-02177	VITE TBEI ISO 7380-1 10.9 M4 X 12	SOCKET BUTTON HEAD SCREW M4X12
9	3-00486	MANOMETRO BAR	PRESSURE GAUGE BAR
9	3-00490	MANOMETRO 1/4" 0-10 BAR	PRESSURE GAUGE G1/4 0-10BAR
10	4-118129/00	LAMIERA SUPPORTO MANOMETRO -VERN-	PRESSURE GAUGE COVER
11	362900	TUBO D.8 L.260MM	HOSE D.8 L.260MM

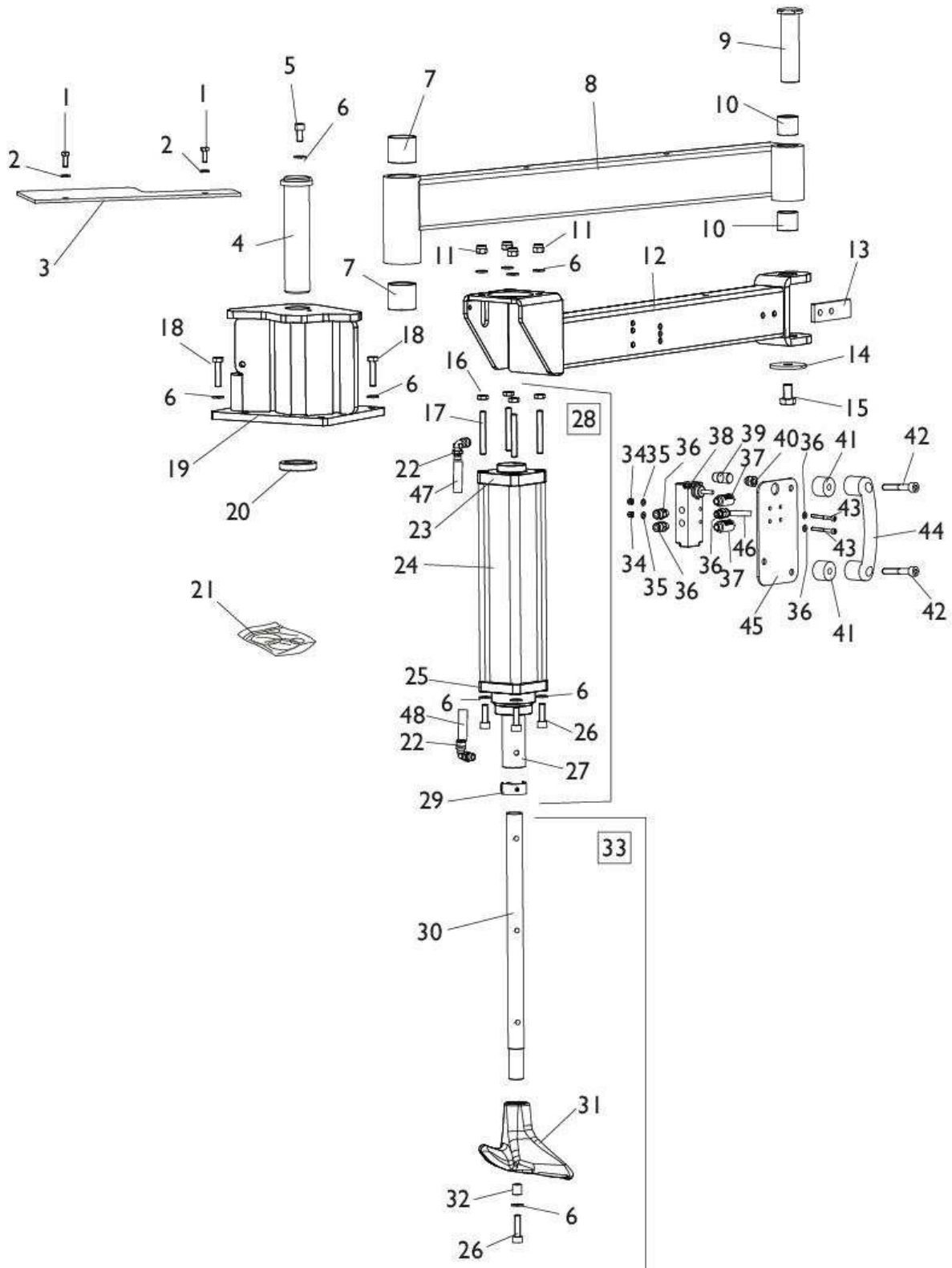
# COMMAND CONSOLE GROUP



[Return to Overall](#)

Rif. Ref.	Codice Code	Descrizione	Description
1	4-118159	COPERCHIO CONSOLLE	CONSOLE COVER
2	2-02155	VTBEI M6X16	ROUNDED HEAD SCREW SOCKET M6X16
3	4-137621	PANNELLO CONSOLLE	CONSOLE PANEL
4	3-00049	RACCORDO LO G1/8 T8	ORIENTING ELBOW FITTING G1/8 T8
5	3-01642	VALVOLA	VALVE
6	3-00181	SILENZIATORE-G1/8 FILI ACCIAIO	SILENCER G.1/8
7	3-00053	RACCORDO ORIENTAB. A L G1/8G-T6	ORIENTING ELBOW FITTING 1/8 T6
8	5-102653	COMANDO STALLONATORE INFERIORE	COMMAND LOWER BEAD BREAKER ASSEMBLY
9	5-102654	COMANDO STALLONATORE SUPERIORE	COMMAND UPPER BEAD BREAKER ASSEMBLY
10	5-106127A	AZIONAMENTO PENETRAZIONE -A-	COMMAND PENETRATION
11	3-00054	RACCPN-LO-G1/8G-T4	FITTING 1/8
12	5-102719	COMANDO ROTAZIONE TESTINA	COMMAND ROTATION HEAD ASSEMBLY
13	461843A	BLOCCHETTO CONTATTO 1NO + 0NC 660 V 12 A	CONTACT FOR MICROVALVES
14	5-129313	RICAMBIO COMANDO SMONTAGGIO/ARRETRAM.	COMMAD DISASSEMBLY
15	461844	MICROVALVOLA	MICROVALVE
16	261836	COMANDO RICERCA UTENSILE	COMMAND SEARCH TOOL
17	900261838	JOYSTICK 4 POS+2 CONTA. 1NA+1NC+CAVO	JOYSTICK HEAD MOVEMENT
18	5-100648A	CAVO 10 x 0.5mm2 L 1350 MINIFIT - PUNT	CONSOLE CABLE
19	5-100665B	CAVO 10 x 0.5mm2 L 1640 PHOENIX - MINIFIT	PC BOARD CABLE - CONSOLE
20	2-02961	VTSPIC M3X20	SCREW M3X20
21	2-03138	VITE TSPEI M5X16	CSK SCREW FLAT SOCKET M5X16
22	2-00210	RONDELLA D.5	WASHER FOR HEX CAP SCREW M5
23	460308	DISTANZIALE D.3,7X6,4 L.9,5	SPACER D.3,7X6,4 L.9,5
24	4-104614	SK DISPLAY	DYSPLAY PC BOARD
25	442153	DISTANZIALE M3	SPACER M3
26	2-01017	DADO AUTOBLOCCANTE M3	NUT WITH POLYAMIDE RING M3
27	2-01018	DADO AUTOBLOCCANTE M4	NUT WITH POLYAMIDE RING M4
28	4-118549	LAMIERA PROTEZIONE SK	PC BOARD PROTECTION
29	5-100647A	CAVO 12 x 0.25mm2 L 2100 AMP MODU II - AMP MODU II	DISPLAY CABLE
30	5-100671B	CAVO 12 x 0.25mm2 L 1580 AMP MODU II - AMP MODU II	PC BOARD CABLE - DISPLAY
31	3-00059	RACCPN-LO-G1/8G-T8	FITTING 1/8
32	2-00209	RONDELLA D.4	WASHER FOR HEX CAP SCREW M4
33	2-00143	DADO ESAGONALE M4	NUT M4
34	5-106119A	GRUPPO DISTRIBUZIONE	DISTRIBUTION GROUP
35	2-02078	VITE TCEI M4X30	CIRCULAR SOCKET HEAD SCREW 1/2F M4X30
36	4-105676	COLONNETTA	COLUMN
37	5-120140/00	RICAMBIO LAMIERA CHIUSURA CONSOLLE	SHEET CLOSING CONSOLE
38	4-112861/90A	SUPPORTO MISURATORE BATTISTRADA -VERN-	SUPPORT TIRE TREAD MEASURER
39	2-02177	VITE TBEI ISO 7380-1 10.9 M4 X 12	SOCKET BUTTON HEAD SCREW M4X12
40	2-03048	VTBEI M5X18	ROUNDED HEAD SCREW SOCKET M5X18
41	2-00309	VTCEI M6X16	HEXAGON SOCKET HEAD SCREW M6X16
42	4-109111	CARTER ROLL-BAR	ROLL-BAR CARTER
43	2-00155	DADO ES. M6	HEXAGON NUT M6
44	4-118130/00A	SUPPORTO TUBO MULTIFUNZIONE	TUBE
45	5-106060A	TRECCIA TUBI PNEUM. MASTER JOLLY	BRAIDED PNEUMATIC TUBES

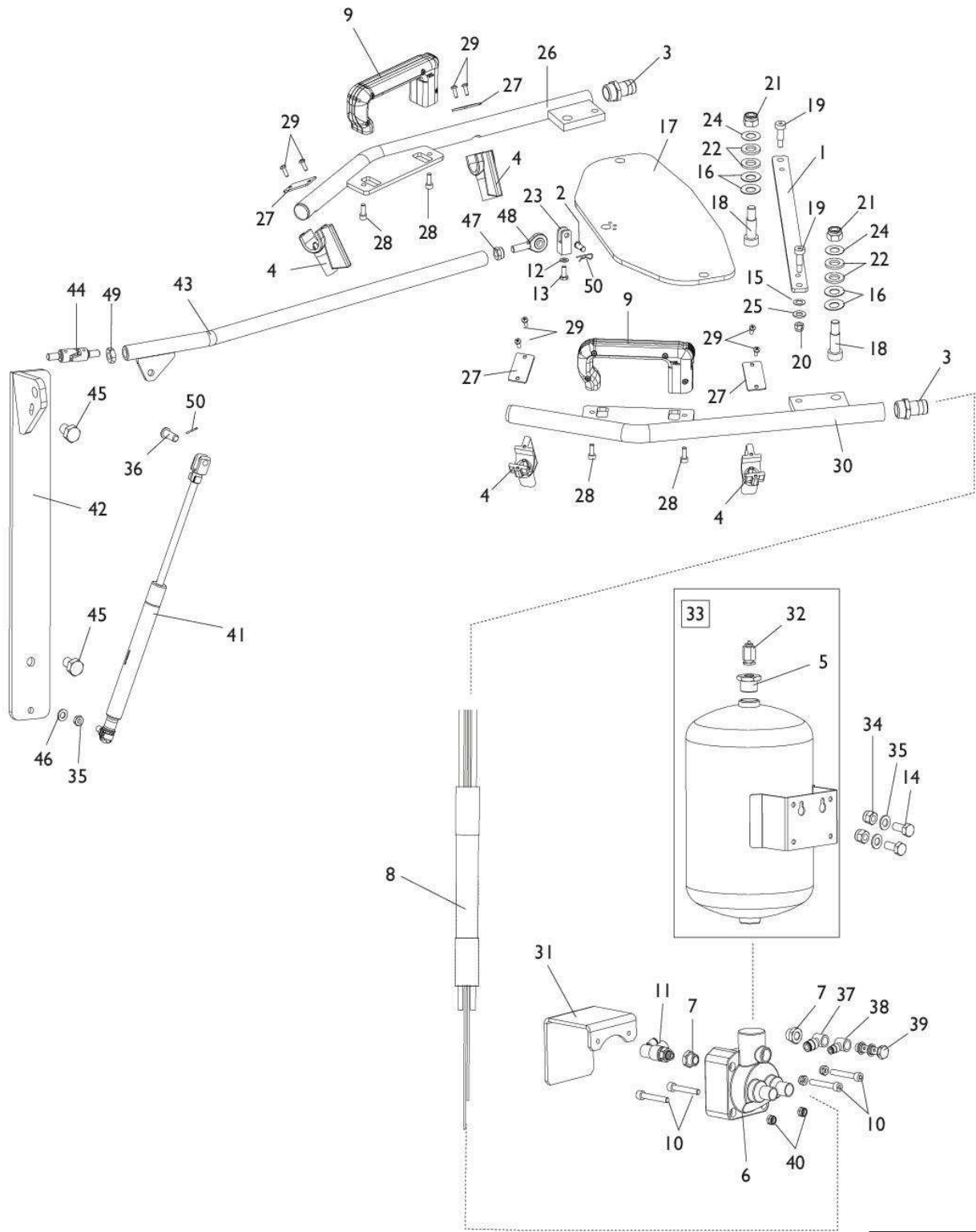
# BEAD DEPRESSOR GROUP



Return to Overall

Rif. Ref.	Codice Code	Descrizione	Description
1	2-01223	VTE M6X16	HEXAGON SOCKET HEAD SCREW M6X16
2	2-00211	RONDELLA D.6	WASHER FOR HEX CAP SCREW M6
3	4-100243C	PROTEZIONE CIL.PREMITALLONE	CYLINDER PROTECTION
4	4-107888	PERNO FULCRO BRACCIO	PIVOT ARM
5	2-00319	VTCEI M8X16	CIRCULAR SOCKET HEAD SCREW M8X16
6	2-00212	RONDELLA D.8	WASHER FOR HEX CAP SCREW M8
7	3-80114	BOCCOLA D.35X35	BUSHING D.35X35
8	5-103377	BRACCIO CON BOCCOLE	ARM WITH BUSHING
9	4-106799	PERNO SNODO	FULCRUM PIN
10	3-80106	BOCCOLA D.25X25	BUSHING D.25X25
11	2-01020	DADO AUTOBLOCCANTE M8	NUT WITH POLYAMIDE RING M8
12	4-106795	BRACCIO ROTANTE	ROTATION ARM
13	4-101897/90	LAMIERA ANTIROTAZIONE -VERN-	ANTI-ROTATION PLATE
14	318216	RONDELLA D.12,5X50X4	WASHER D.12,5X50X4
15	2-00386	VTE M12X20	HEXAGON SOCKET HEAD SCREW M12X20
16	2-91680	DADO ESAGONALE BASSO M8	LOW NUT M8
17	2-02683	VITE STEI M8X60	SOCKET SET SCREW M8X60
18	2-02024	VTE M8X25	HEXAGON SOCKET HEAD SCREW M8X25
19	4-107868/00B	SUPPORTO ATTACCO PREMITALLONE	COUPLING PLATE MOUNTING TOOL
20	4-107890	ANELLO DISTANZIALE	SPACER
21	5-102410	SET GUARNIZIONI CILINDRO D.63	SET OF GASKETS FOR CYLINDER D.63
22	3-00053	RACCORDO ORIENTAB. A L G1/8G-T6	ORIENTING ELBOW FITTING 1/8 T6
23	4-106788A	FLANGIA POSTERIORE 72 x 63 x 32	CYLINDER REAR FLANGE
24	4-106790	CAMICIA CILINDRO	CASING FOR CYLINDER
25	5-104568	FLANGIA SUPERIORE D.63	FRONT FLANGE D.63
26	2-02006	VITE TCEI M8X25	SOCKET HEAD CAP SCREW M8X25
27	5-102362A	KIT STELO+PISTONE CILINDRO PREMITALLONE	ROD WITH BUSHING
28	5-102369A	CILINDRO PREMITALLONE D.63	CYLINDER ASSEMBLY
29	5-103287	PERNO DI FERMO CON CLIP	STOP PIN
30	4-106794	STELO INTERNO REGOLABILE	INTERNAL ROD ADJUSTABLE
31	4-106888	PREMITALLONE SAGOMATO	BEAD PRESSING PAD
32	4-103846	DISTANZIALE CIL D 12 x 14	SPACER
33	5-102363A	PREMITALLONE COMPLETO	BEAD DEPRESSOR ASSEMBLY
34	2-01018	DADO AUTOBLOCCANTE M4	NUT WITH POLYAMIDE RING M4
35	2-00209	RONDELLA D.4	WASHER FOR HEX CAP SCREW M4
36	3-00461	RACCORDO DRITTO G1/8G-T6	QUICK UNION 1/8 6-4
37	3-00183	SILENZIATORE IN PLASTICA 1/8	PLASTIC SILENCER 1/8
38	3-01230	VALVOLA	VALVE
39	440585	MANOPOLA	HANDLE
40	2-00105	DADO CIECO M8	HEX DOMED CAP NUT
41	461626	DISTANZIALE MANIGLIA	HANDLE SPACER
42	2-80015	VITE TCEI M8X50	SOCKET HEAD CAP SCREW M8X50
43	2-02022	VTCEI M4X35	M4X35
44	458702	MANIGLIA A PONTE	HANDLE
45	363396B	PIATTO FISSAGGIO	PLATE
46	4-107170	TUBO D.6 L.2870MM	HOSE D.6 L.2870MM
47	315268	TUBO D.6X1 L.260mm	RILSAN HOSE D.6X1 L.260mm
48	331060	TUBO D.6 L.500MM	HOSE D.6 L.500MM

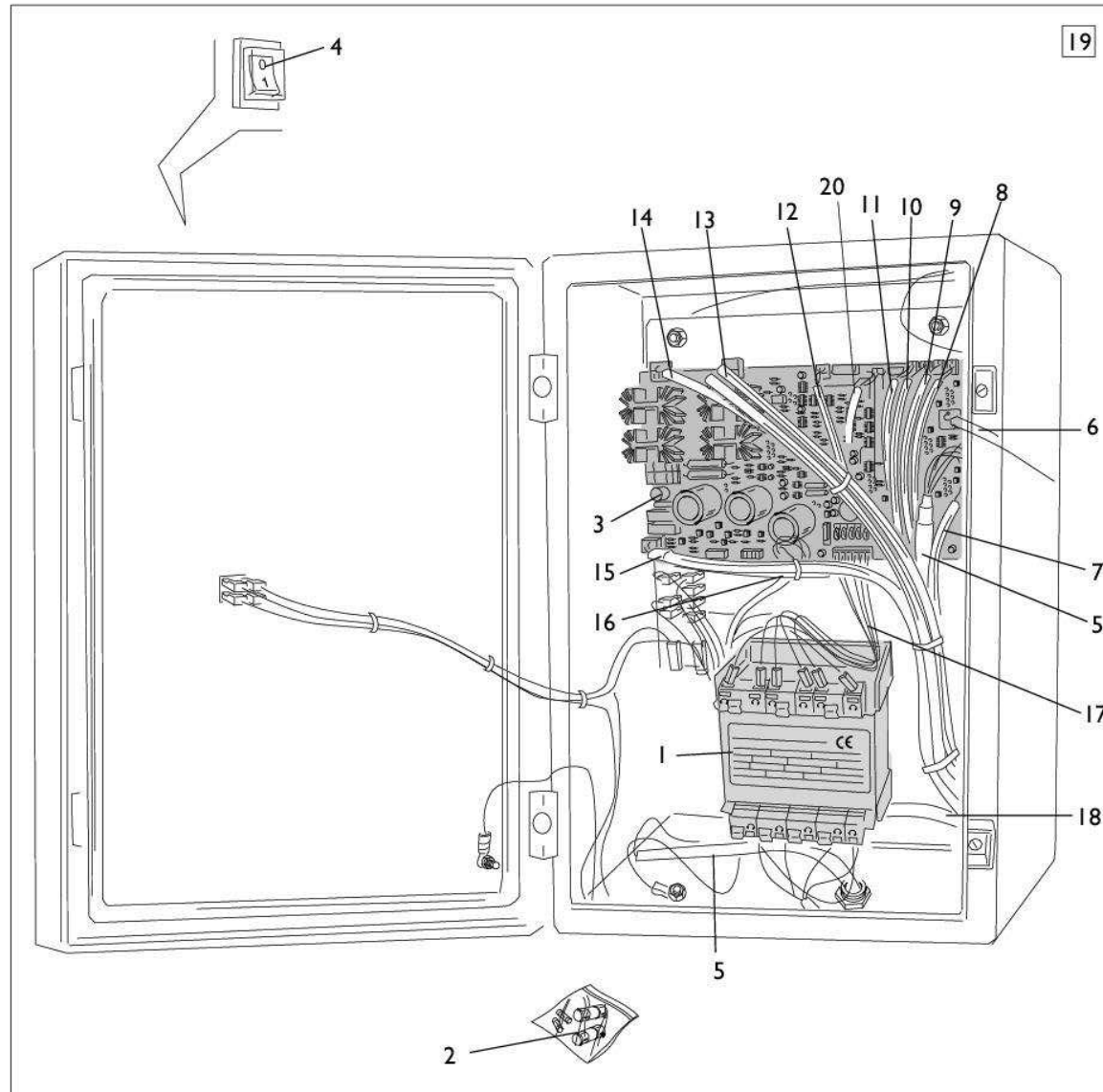
# T.I. SYSTEM GROUP



[Return to Overall](#)

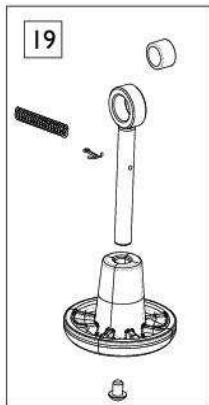
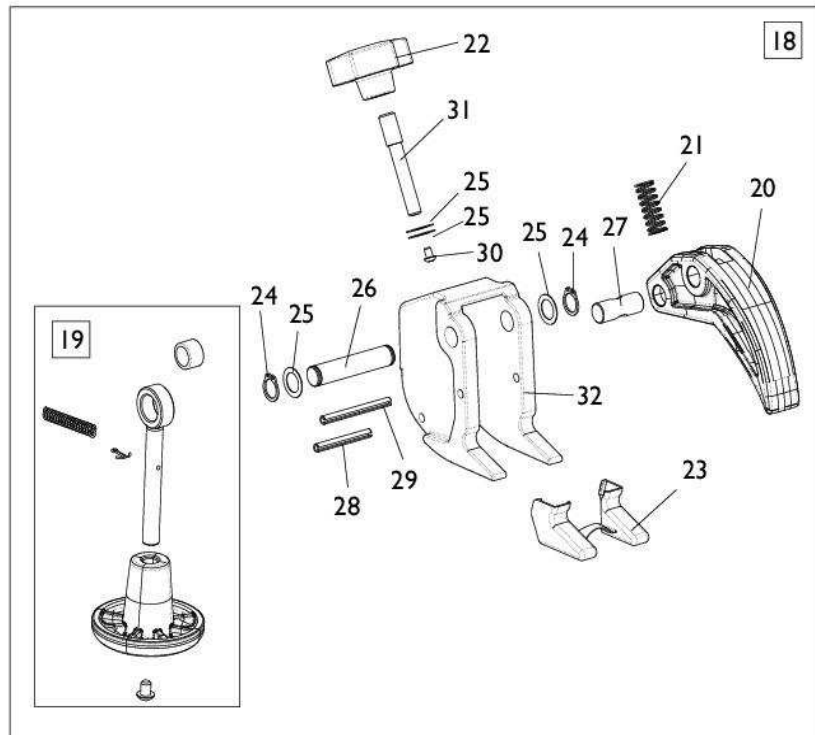
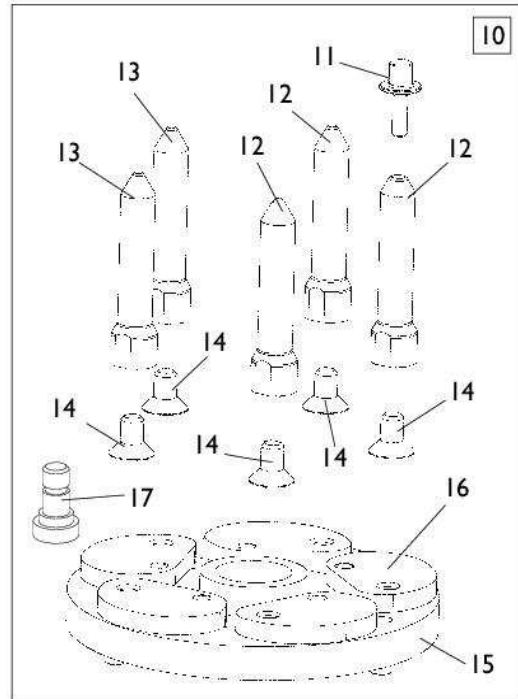
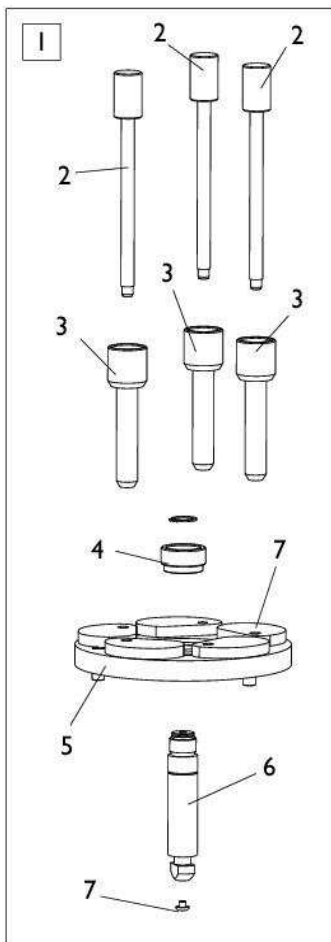
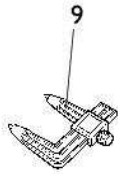
Rif. Ref.	Codice Code	Descrizione	Description
1	362122C	ASTA TIRANTE BRACCI 5 x 20 x 350	TIE ROD
2	478247	PERNO FORCELLA	FORK PIN
3	3-00008	RACCORDO-RESCA G1/2-T17	RESCA FITTING G1/2 T17
4	462124A	UGELLO	NOZZLE
5	442239	RIDUZIONE M/F 3/8	FITTING M/F 3/8
6	243203	VALVOLA DI SPARO	VALVE FIRING
7	3-00269	RACCPN-RIDUZIONE-G1/4-1/8F	FITTING-G1/4-1/8F
8	5-491045	TUBO GONFIAGGIO COMPLETO	BRAIDED PNEUMATIC TUBES
9	5-101632	MANIGLIA	HANDLE
10	2-94006	VTCEI 1/2 M6X40	CIRCULAR SOCKET HEAD SCREW M6X40
11	3-01175	VALVOLA	VALVE
12	2-00213	RONDELLA D.10	WASHER FOR HEX CAP SCREW M10
13	2-02184	VTE M10X25	HEXAGON HEAD SCREW M10X25
14	2-02047	VTE M8X20	HEXAGON SOCKET HEAD SCREW M8X20
15	2-02247	RONDELLA D.8,4X15	WASHER D.8,4X15
16	2-03088	MOLLA A TAZZA	WASHER
17	362121A	PIASTRA CENTRALE T.I.	CENTRAL PLATE
18	2-03090	VSTCCE M10	CIRCULAR SOCKET HEAD SCREW M10
19	2-03091	VSTCCE M6	CIRCULAR SOCKET HEAD SCREW M6
20	2-01257	DADO AUTOBLOCCANTE M6	NUT WITH POLYAMIDE RING M6
21	2-01019	DADO AUTOBLOCCANTE M10	NUT WITH POLYAMIDE RING M10
22	2-00214	RONDELLA D.12	WASHER FOR HEX CAP SCREW M12
23	362194A	FORCELLA ATTACCO PIASTRA	FORK
24	462117	RONDELLA D.12X24X0,5	WASHER D.12X24X0,5
25	2-00211	RONDELLA D.6	WASHER FOR HEX CAP SCREW M6
26	262127	BRACCIO DX	ARM DX
27	362123	PIASTRA FISSAGGIO UGELLO	NOZZLE PLATE
28	2-02037	VTCEI M5X14	CIRCULAR SOCKET HEAD SCREW M5X14
29	2-03121	VATCCIC D4X12	SCREW TAPPING HEAD CUTTING CIRC. CROSS M4X12
30	262128	BRACCIO SX	ARM SX
31	3020962	STAFFA PROTEZIONE VALVOLA	VALVE BRACKET
32	3-00356	VALVOLA DI MAX 11BAR CE	CE VALVE 11BAR
32	3-00278	VALVOLA ASME	VALVE ASME
33	5-103619	SERBATOIO ARIA P.MAX 10 BAR 16 LT D 244 L 400 CE - VALV.SPARO DRITTA	TANK CE
33	5-100552A	SERBATOIO ARIA P.MAX 10 BAR 16 LT D 244 L 421 ASME + VALV.SPARO 90°	TANK ASME
34	2-01020	DADO AUTOBLOCCANTE M8	NUT WITH POLYAMIDE RING M8
35	2-00212	RONDELLA D.8	WASHER FOR HEX CAP SCREW M8
36	2-03065	PERNO D.8X22X18,5	PIN D.8X22X18,5
37	3-00515	RACCPN-ANELLO-G1/8-T6	FITTING-G1/8-T6
38	3-00514	RACCPN-ANELLO-G1/8-T4	FITTING-G1/8-T4
39	3-00075	VITE FORATA DOPPIA G1/8	SCREW TWO HOLES G1/8
40	2-01979	DADO AUTOBLOCCANTE M6	NUT WITH POLYAMIDE RING M6
41	462140	MOLLA GAS	GAS SPRING
42	4-101815	ATTACCO T.I.	T.I. PLATE
43	262134A	ASTA D 18 L 582 -SALD-	BAR
44	4-101825	SNODO ASTA	JOINT
45	2-91715	VITE TE M8X12	HEXAGON HEAD CAP SCREW M8X12
46	2-91680	DADO ESAGONALE BASSO M8	LOW NUT M8
47	2-01276	DADO AUTOBLOCCANTE M12	NUT WITH POLYAMIDE RING M12
48	2-03089	TERMINALE FILETTATO	THREADED TERMINAL
49	2-91640	DADO BASSO M12	LOW NUT M 12
50	435055	COPIGLIA D.2X40	PLUG D.2X40

# ELECTRIC PANEL GROUP



Rif. Ref.	Codice Code	Descrizione	Description
1	461829B	TRASFORMATORE 3PH B 427 VA 10 0/115/200/230V 0/8/15/40V MASTER	TRANSFORMER
2	263565C	SACCH.FUSIBILI+ISTR. A	FUSES KIT
3	5-122175B	RICAMBIO SK P2K 4-101919	PC BOARD P2K
4	433848	INTERRUTTORE	SWITCH
4	5-100654A	CAVO EL 3 X 2,5 4700 PUNTAL PREIS DIN 46228-4 3P / FASTON F 3P PRESSACAVO BOMBAT	POWER CABLE
5	5-100665B	CAVO 10 x 0.5mm2 L 1640 PHOENIX - MINIFIT	PC BOARD CABLE - CONSOLE
6	5-100664B	CAVO 4 x 0.35mm2 L 1910 PHOENIX - MINIFIT	PC BOARD CABLE - ACTUATOR ENCODER
7	5-100671B	CAVO 12 x 0.25mm2 L 1580 AMP MODU II - AMP MODU II	PC BOARD CABLE - DISPLAY
8	5-100666A	CAVO EL 2 X 0.5MM2 1950 CONNETTORE MC-1,5-STF-3,81 2P / FASTON F 2P	PC BOARD CABLE - MICRO LIFTER
9	5-100668B	CAVO 2 x 0.5mm2 L 1820 PHOENIX - FAST F	PC BOARD CABLE - Y AXIS DOWN
10	5-100667A	CAVO 2 x 0.5mm2 L 1950 PHOENIX - FAST F	PC BOARD CABLE -Y AXIS UP
11	5-100669A	CAVO 2 x 0.5mm2 L 2200 PHOENIX - MINIFIT	PC BOARD CABLE - MICRO RESET
12	5-100722A	CAVO 2 x 0.5mm2 L 2250 PHOENIX - MISTO	CABLE TURNTABLE ROTATION
13	5-100663A	CAVO EL 2 X 1.5MM2 1700 CONNETTORE MSTB-2,5-ST-5,08 3P / PORTAFASTON 2P	PC BOARD CABLE - ASSE Y MOTOR
14	5-100662B	CAVO 2 x 1.5mm2 L 2100 PHOENIX - FASTIN-FASTON	PC BOARD CABLE - X AXIS ACTUATOR
15	5-100689B	CAVO 2 x 1.5mm2 L 1750 PHOENIX - FAST F	PC BOARD CABLE - BRAKE Y
16	5-100660B	CAVO EL 4 X 0.5MM2 2320 CONNETTORE MC-1,5-STF-3,81 4P / EV 2P	PC BOARD CABLE - EV1/EV2
17	5-101471	CAVO SECOND. TRASF. SCHEDA	TRANSFORMER SECONDARY CABLE
18	4-146886	CAVO EL 3 X 2.5 MM2 L 2700 AMP MATE-N-LOK-M 3P / 3P	MOTOINVERTER POWER CABLE
19	5-100726E	---IMP.EL.MASTER 26"M -ad esaurimento-	ELECTRIC PANEL ASSEMBLY
20	4-135541	CAVO MICRO L. 4mt	MICRO CABLE L. 4mt

# ACCESSORIES

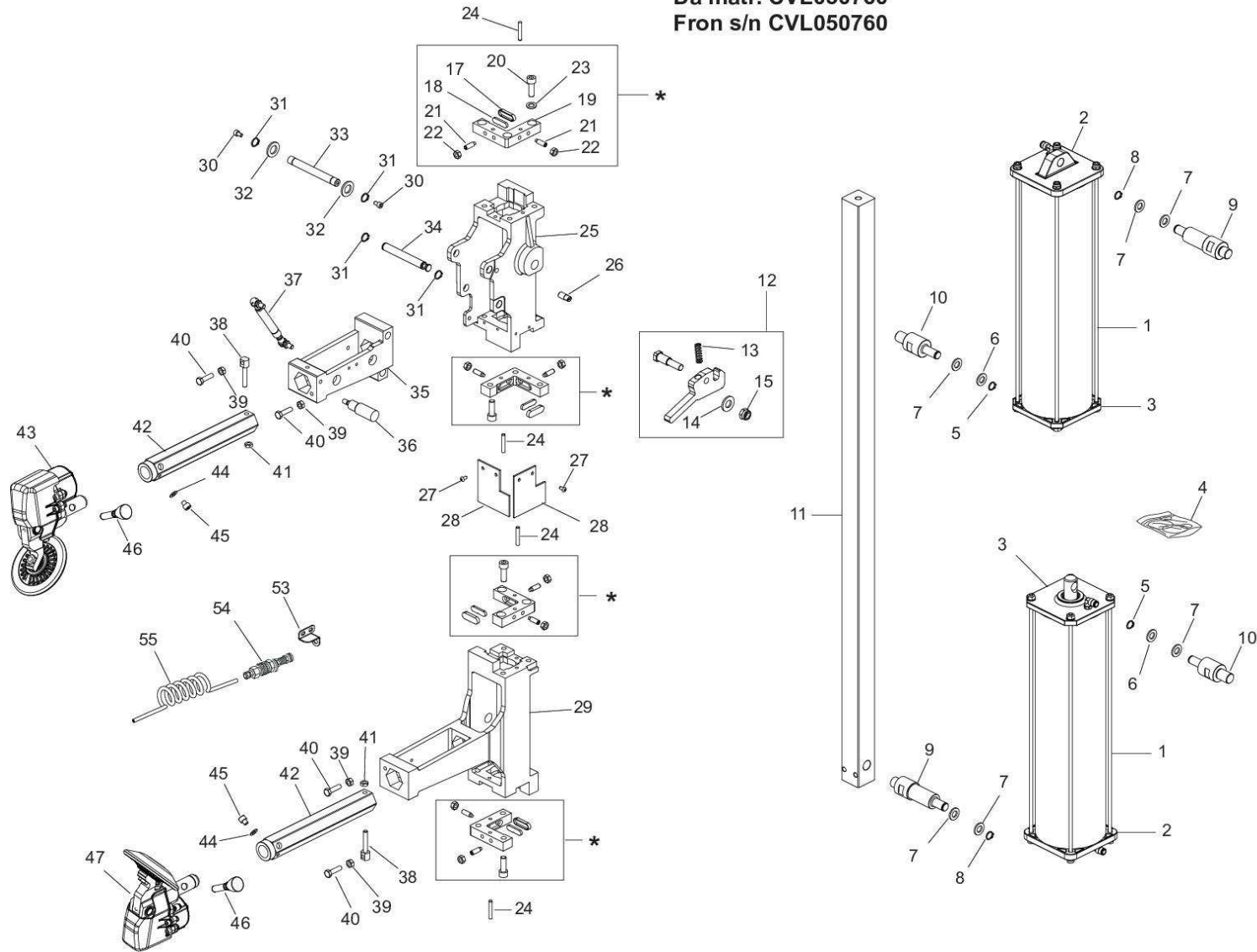


[Return to Overall](#)

Rif. Ref.	Codice Code	Descrizione	Description
1	8-11100087	KIT RUOTE CIECHE	WHEEL KIT BLIND
2	361647A	PERNO FISS.CERCHI CIECHI M12 x 159	FIXING BOLT RIMS BLIND
3	361648A	ADATTATORE M12X1.25 FEMMINA - D.35 ZIGRINATO	FITTING NUT RIMS BLIND
4	4-103766	GHIERA SERRAGGIO FLANGIA	FITTING NUT
5	5-102422	FLANGIA UNIVERSALE 6 PETALI	UNIVERSAL FLANGE 6 PETALS
6	4-103765	BARRA BLOCCAGGIO FLANGE	BAR
7	461560A	INSERTO CIL-DE 12 DI 1 L 8 TAPPO PROTEZIONE BARRA	SHIELD
8	4-107023	BIELLA	PETAL
9	2008157	RILEVATORE FORI	DETECTOR HOLES
10	8-11100039	KIT RUOTE ROVESCE	REVERSE RIMS KIT
11	4-102377A	KIT MANOPOLE DI SERRAGGIO	FITTING NUT
12	5-102721	COLONNETTA CON SERRAGGIO	COLUMN WITH LOCKING
13	5-102720	COLONNETTA	COLUMN
14	2-03095	VITE TSPEI UNI 5933 10.9 ZI M12 x 20	CSK SCREW FLAT SOCKET M12X20
15	5-102421	FLANGIA CERCHI ROVESCI	FLANGE REVERSE RIMS
16	4-107024	BIELLA	PETAL
17	4-101250	VITE FISSAGGIO BIELLA	SPECIAL SCREW
18	8-11100120	MORSETTO BASCULANTE	TILTING CLAMP
19	5-101642	DISCO DI SPINTA	DISK
20	4-104051A	MORSETTO DITO	TOOL
21	3-01760	MOLLA D.11,5X30X1,5	SPRING D.11,5X30X1,5
22	3-01715	VOLANTINO	HANDLE
23	8-11100126	KIT 6 PROTEZIONI	6 PROTECTION KIT
24	2-00025	ANELLO ELASTICO D.12	RETAINING RING FOR SHAFT D.12
25	315274	RONDELLA ACC.D. 12X18X0,5	WASHER 12X18X0.5
26	4-104271A	PERNO 12 L 59 SA SA	PIN
27	4-104258	PERNO FORATO PICCOLO	SMALL PIN HOLES
28	2-71566	SPINA D.5X40	PLUG D.5X40
29	2-02219	SPINA D.5X50	PLUG D.5X50
30	2-03039	VTBEI M4X6	ROUNDED HEAD SCREW SOCKET M4X6
31	4-104259A	PERNO TONDO DE 10 L 71.3 FIL-M M10 FIL-M M8 MORSETTO	PIN TWO THREADS
32	4-104235	CORPO MORSETTO	BODY

# BEAD BREAKER GROUP

Da matr. CVL050760  
Fron s/n CVL050760



Return to Overall

Rif. Ref.	Codice Code	Descrizione	Description
1	261424C	CILINDRO PN 2 EFF DI 110 CORSA 454 DS 22 STALL	PNEUMATIC CYLINDER D. 110
2	4-130671	FLANGIA POSTERIORE D.110	REAR FLANGE D.110
3	5-107559	FLANGIA ANTERIORE CON BOCCOLA	FRONT FLANGE WITH BUSHING
4	245067A	KIT GUARN.CILINDRO D.110"ART2"	CYLINDER GASKET KIT D.110
5	2-01122	ANELLO ELASTICO D.15	RETAINING RING FOR SHAFT D.15
6	345032	RONDELLA D.15,25X30X3	WASHER D.15,25X30X3
7	2-01045	RONDELLA D.16	WASHER D.16
8	2-01130	ANELLO ELASTICO D.16	RETAINING RING FOR SHAFT D.16
9	361392A	PERNO ATTACCO CILINDRO D35 x 127	CYLINDER FULCRUM PIN D.16
10	361393A	ATTACCO CILINDRO	CYLINDER FULCRUM PIN D.15
11	4-100340	GUIDA	GUIDE
12	5-129841	GANCIO CON ECCENTRICO	HOOK WITH ECCENTRIC
13	461435	MOLLA A COMPRESSIONE	COMPRESSION SPRING
14	2-00214	RONDELLA D.12	WASHER FOR HEX CAP SCREW M12
15	2-01276	DADO AUTOBLOCCANTE M12	NUT WITH POLYAMIDE RING M12
17	4-151052	PATTINO DI SCORRIMENTO	SLIDING SKIDE
18	4-151051	PIASTRA PER RIPRESA GIOCO	ADJUSTMENT PLATE
19	4-150922	SUPPORTO PORTA PATTINI	SKATES HOLDER SUPPORT
20	2-80017	VITE TCEI 4762 M10X30	SOCKET HEAD CAP SCREW M10X30
21	2-01322	VITE STEI M8X25	SOCKET SET SCREW M8X25
22	2-00723	DADO M8	NUT M8
23	3-00699	RONDELLA NORD-LOCK NL10	NORD-LOCK NL10 WASHER
24	2-72204	SPINA CILINDRICA 8734 D.6X40	PARALLEL PIN D.6X40
25	4-150919	CARRELLO MOBILE SUPERIORE	UPPER MOBILE TROLLEY
26	361414A	ARRESTO	STOPPING
27	2-02167	VITE TBEI ISO 7380 M5X10	SOCKET BUTTON HEAD SCREW M5X10
28	4-118637	GOMMA PROTEZIONE STALLONATORE	RUBBER
29	4-150933	CARRELLO INFERIORE	LOWER TROLLEY
30	2-01989	VITE TCEI M6X10	SOCKET HEAD CAP SCREW M6X10
31	2-00026	SEEGER D.14	SEEGER D.14
32	2-00679	ROSETTA D 6X18X1,5	WASHER D.6X18X1,5
33	361422	PERNO	PIN
34	361423A	PERNO FULCRO	PIN
35	900361411	SUPP.BASCULANTE	SUPPORT
36	4-100168	MANIGLIA	HANDLE
37	4-118481	AMMORTIZZATORE	SHOCK ABSORB.
38	4-118166	PERNO DI FERMO	STOPPING PIN
39	2-00723	DADO M8	NUT M8
40	320191	VITE SPECIALE TE M8X30	SPECIAL SCREW M8X30
41	2-91680	DADO ESAGONALE BASSO M8	LOW NUT M8
42	4-118165A	ASTA ESAG CH 38 L 277	HEXAGONAL BAR
43	5-105973A	DISCO STALL.SUP. MASTER JOLLY (SKF-NSK)	UPPER BEAD BREAKER DISC ASSEMBLY
44	2-00205	RONDELLA EL SPAC UNI 1751 A DI 8	SPRING LOCK WASHER D.8
45	4-103071	VITE SPECIALE TCEI M8X8	SPECIAL SCREW M8X8
46	5-120146	PERNO BLOCCAGGIO PENETRAZIONE	LOCK PIN PENETRATION
47	5-105974A	DISCO STALL. INF.MASTER JOLLY (SKF-NSK)	LOWER BEAD BREAKER ASSEMBLY
53	4-108423/90	LAM. SUPPORTO RACCORDO -VERN-	FITTING SUPPORT
54	3-01645	RACCPN-D-GRF5F-T6	FITTING T6
55	4-103910	TUBO A SPIRALE	SPIRAL HOSE

Return to Overall